

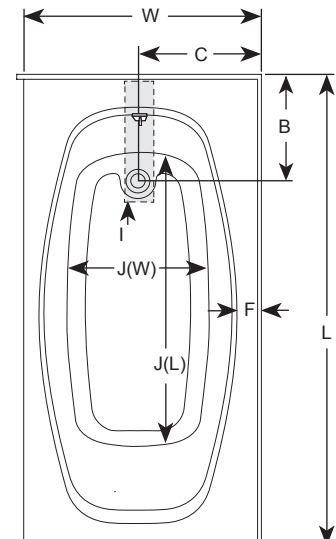
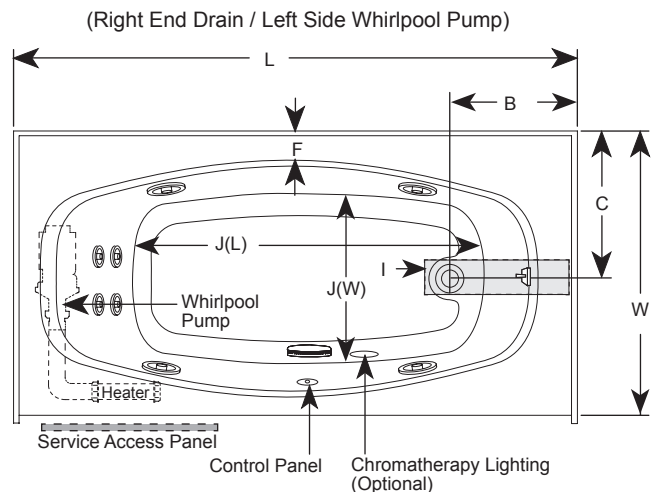
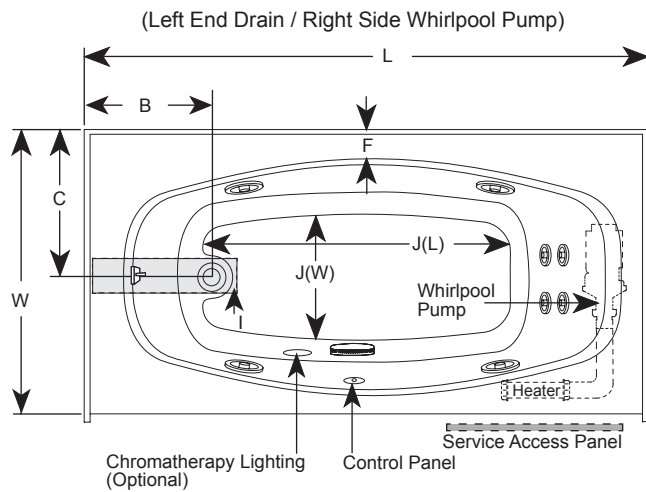
Amiga™ 7236 Whirlpool And Soaking Skirted Bathtubs

| Letter | Description | Whirlpool w/ Skirt | Soaking w/ Skirt |
|--------|----------------------------------|------------------------------------------------|------------------------------------------------|
| - | Drain Location | Left Hand / Right Hand | End |
| - | Whirlpool Pump Location | Opposite end of drain location | N/A |
| - | Cutout | N/A | N/A |
| - | Total Weight | 1029 lb (467 kg) | 995 lb (451 kg) |
| - | Floor Loading | 57 lb/ft ² (278 kg/m ²) | 55 lb/ft ² (269 kg/m ²) |
| - | Operating Gallons (Min/Max) | 54 Gal (204L) / 78 Gal (295L) | 78 Gal (295L) |
| - | Product Weight | 129 lb (59 kg) | 95 lb (43 kg) |
| L | Outer Length | 72.00" (1829 mm) | 72.00" (1829 mm) |
| W | Outer Width | 36.00" (914 mm) | 36.00" (914 mm) |
| H | Overall Height | 20.75" (527 mm) | 20.75" (527 mm) |
| A | Overflow Height | 16.88" (429 mm) | 16.88" (429 mm) |
| B | Long Edge to Drain Center | 14.60" (371 mm) | 14.60" (371 mm) |
| C | Short Edge to Drain Center | 18.00" (457 mm) | 18.00" (457 mm) |
| D | Drain Shoe Length | 11.50" (292 mm) | 11.50" (292 mm) |
| E | Flange Height | 1.00" (25 mm) | 1.00" (25 mm) |
| F | Deck Width | 3.75" (95 mm) | 3.75" (95 mm) |
| G | Service Access | 12.00 x 18.00" (305 x 457 mm) | N/A |
| I | Floor Cutout for Drain | 12.00 x 4.00" (305 x 102 mm) | 12.00 x 4.00" (305 x 102 mm) |
| J | Interior Dimensions: J(W) x J(L) | 22.00 x 45.00" (559 x 1143 mm) | 22.00 x 45.00" (559 x 1143 mm) |

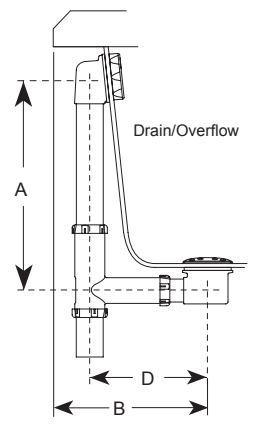
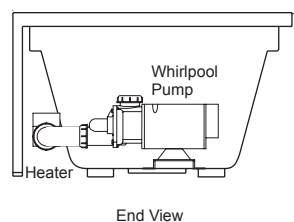
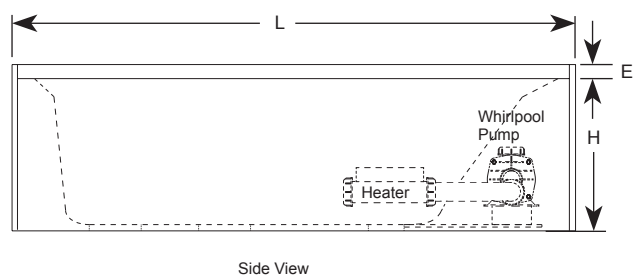
NOTE

The overall dimensions are nominal with a tolerance of +0 and -.25" (6mm).

Electrical Specifications
 (Each component requires a separate, dedicated GFCI protected circuit)
 Motor/Pump 120V 15A 60HZ
 Heater (optional) 120V 15A 60HZ


Key Dimensions


*Deck width reflects only area indicated on detail.



NOTE: Drawings not to scale.