



specifications

FEATURES

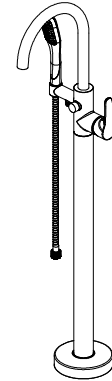
- Ceramic Cartridge
- Lever Style Handle
- 1/2" IPS connections
- Min Flow Rate: 2.4 GPM at 20 PSI

CODE COMPLIANCE

- ASME A112.18.1 / CSA B125.1
- IAPMO Certified

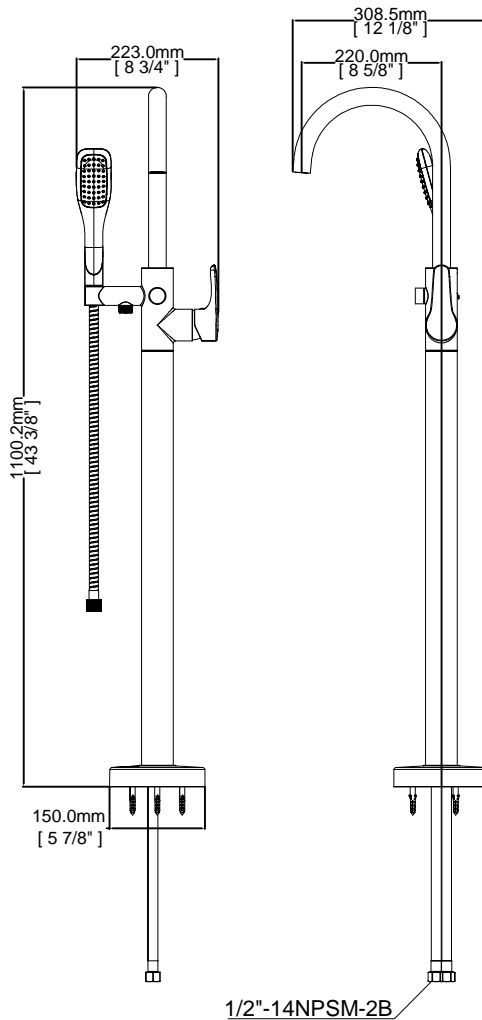
WARRANTY

- Limited Lifetime Warranty



FREESTANDING TUB FILLER

MODEL	FINISH
NW50827	Chrome Finish



INSTALLATION DIMENSIONS

Jacuzzi reserves the right to make changes in specifications and materials and to change and discontinue models, both without the notice or obligation. Dimensions are for reference only.