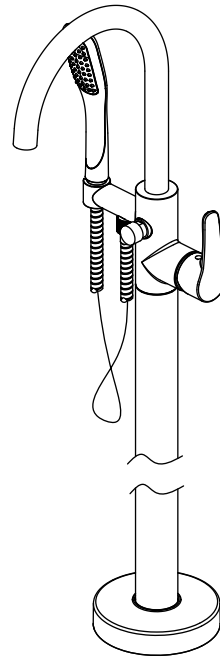




TUB FILLER FAUCET

MODEL #67662-5101

Questions, problems, missing parts? Before returning to your retailer, call our customer service department at 1-800-288-4002, 9 a.m. - 8 p.m., EST, Monday - Friday.



ATTACH YOUR RECEIPT HERE

Serial Number _____

Purchase Date _____

SAFETY INFORMATION

Please read and understand this entire manual before attempting to assemble, operate, or install the product.

WARNING:

- Follow the installation instructions carefully. Proper installation is the installer's responsibility.
- Failure to follow correct installation procedures can result in the faucet being loose, which can result in serious injury.

CAUTION:

- Check local building codes before beginning installation to ensure compliance.

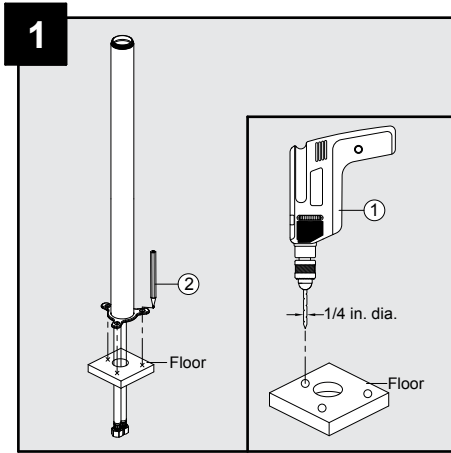
PREPARATION

Before beginning the assembly of this product, make sure all parts are present. Compare parts with the package contents and hardware contents list. If any part is missing or damaged, do not attempt to assemble the product.

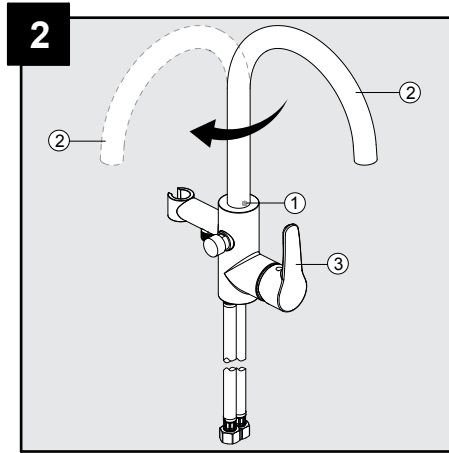
Estimated Assembly Time: 90 minutes (including removal of old faucet)

Tools Required for Assembly (not included): Adjustable Wrench, Silicone Sealant, Phillips Screwdriver, Pencil, Electric Drill

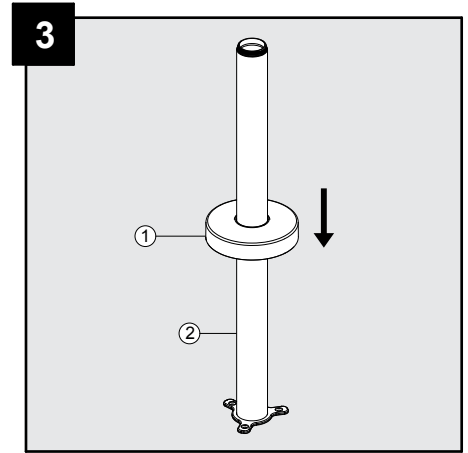
ASSEMBLY INSTRUCTIONS



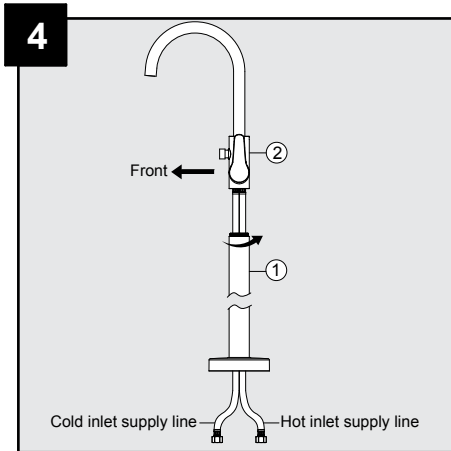
Drill a hole min 2 1/4 in. diameter-max 2 9/16 in. diameter in the floor with an electric drill (1). Mark the locations for the screws with a pencil (2). Then drill three holes 1/4 in. diameter for the screws in the floor with an electric drill (1).



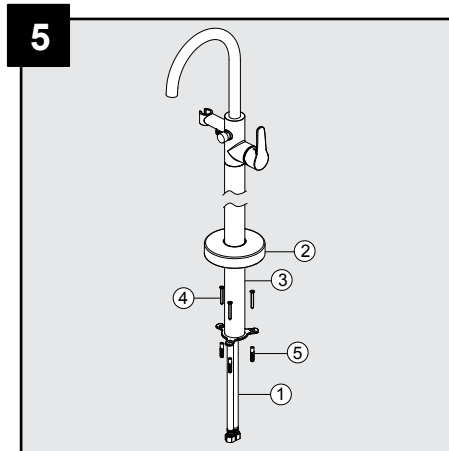
Loosen the set screw (1) pre-assembled to the spout (2), rotate the spout (2) about 90° to align handle (3), then tighten the screw.



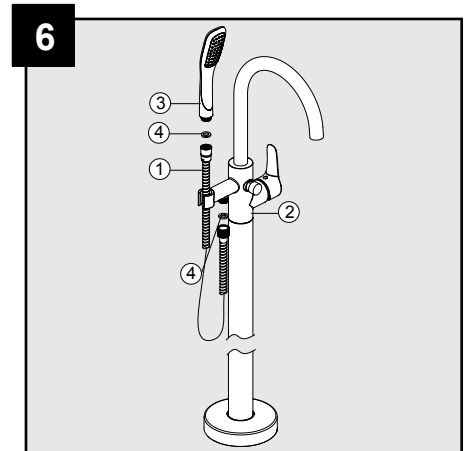
Place the escutcheon (1) over the standpipe (2) and then push it to the base.



Screw the standpipe (1) onto the mixer (2) by hand. Turn in a clockwise direction until it is tight. Note: Do not to reverse the cold and hot supply lines.

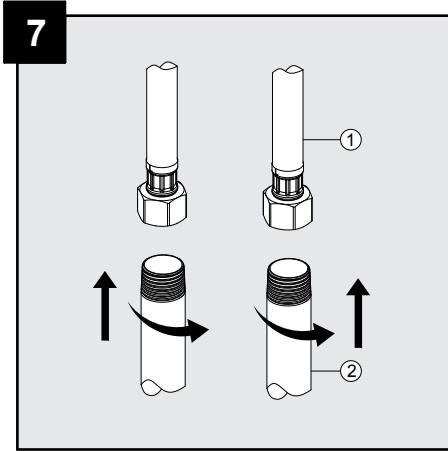


Place the assembly with the flexible supply lines (1) through the prepared hole and then holding the escutcheon (2), secure the standpipe (3). Note: If mounting into wooden floor, secure the standpipe (3) using screws (4) only (wall plugs are not needed). If mounting into solid floor, mark the position of holes first and then secure the standpipe (3) using anchors (5) and screws (4). Where required ensure correct anchors for your floor type are used.

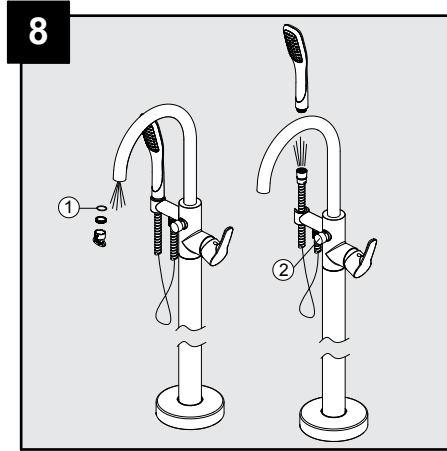


Connect one end of the shower hose (1) to the mixer (2) and the other end to the hand shower (3). Ensure the washer (4) is in each end for seal.

ASSEMBLY INSTRUCTIONS



Connect the flexible supply lines (1) to the water supplies (2).



Flushing and checking for leaks
Important: After installation is complete, remove the aerator with the plastic wrench to flush the water lines. Do not lose the o-ring (1) in the aerator. Turn on the water supply and allow both hot and cold water to run for at least one minute each. Press the pin (2) to the bottom position, and flush water lines for one minute. This flushes away any debris that could cause damage to internal parts. Check for leaks. After flushing, turn the handle all the way off to shut off the water and reinstall the aerator. The pin (2) should now be in its normal position. Re-tighten any connections if necessary, but do not overtighten.

CARE AND MAINTENANCE

- Clean periodically with a soft cloth. Avoid abrasive cleaners, steel wool, and harsh chemicals as these will dull the finish and void your warranty.

TROUBLESHOOTING

PROBLEM	POSSIBLE CAUSE	CORRECTIVE ACTION
There is a leak from under the handle or there is a leak from aerator when the faucet is off.	The cartridge is damaged.	Remove the handle and replace the cartridge.
There is a leak from aerator when the faucet is on.	The aerator does not fit correctly on the faucet.	1. Remove and reinstall the aerator. 2. Call customer service for a new aerator and replace it after you receive the new aerator assembly.
The aerator has an irregular or reduced water flow.	The aerator is dirty.	Remove the aerator and clear the debris.
Hand shower leaks or has a low flow pattern.	Hand shower is dirty or damaged.	Remove the hand shower and check for any debris clogged at the shower connection, check the hand shower's spray nozzle for any build up or debris.

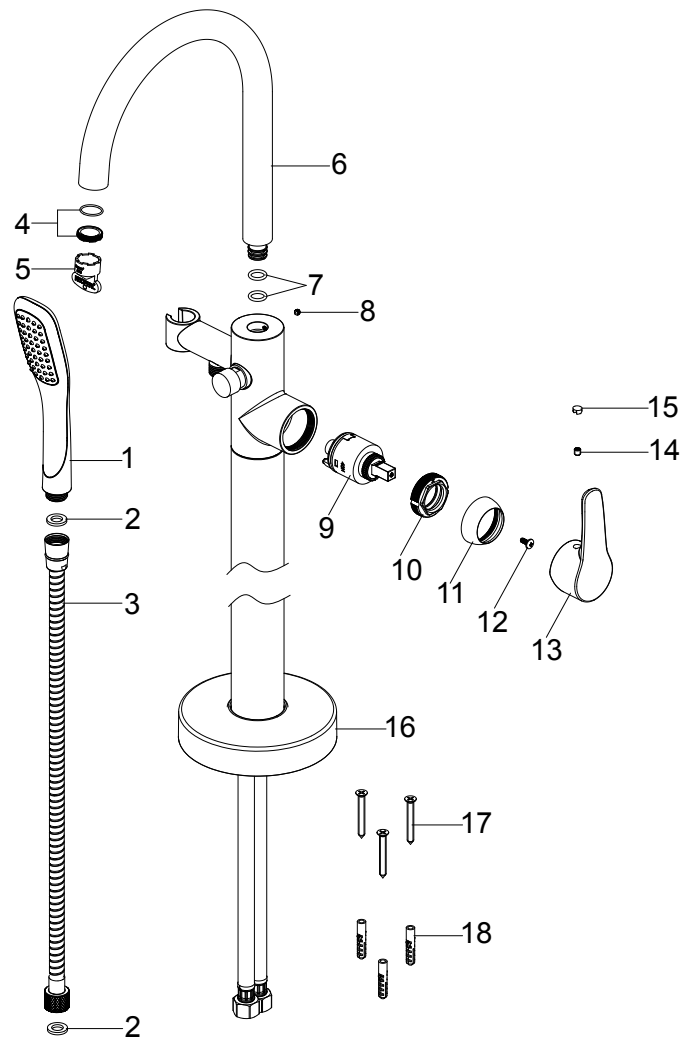
WARRANTY

The manufacturer warrants this faucet to be free from defects in workmanship and material present at time of shipment from the factory for a 90 days from the date of purchase. This warranty applies only to the original purchaser. The manufacturer agrees to correct such defects at no charge or, at our option, replace the faucet with a comparable or superior model. To obtain warranty service, call our customer service department at 1-800-288-4002 for return authorization and shipping instructions. You may be required to present a copy of your sales receipt as proof of purchase. All cost of removal and reinstallation are the expressed responsibility of the purchaser. Any damage to the faucet by accident, misuse or improper installation, or by affixing accessories not produced by the manufacturer, are the purchaser's responsibility. The manufacturer assumes no responsibility whatsoever for faucet installation during the warranty period. There is no further expressed warranty. The manufacturer disclaims any and all implied warranties. The manufacturer shall not be liable for incidental, consequential or special damages arising at or in connection with product use or performance except as may otherwise be accorded by law. This warranty gives you specific legal rights, and you may also have other rights which vary from state to state. This warranty supersedes all prior warranties.

REPLACEMENT PARTS LIST

For replacement parts, call our customer service department at 1-800-288-4002, 9 a.m. - 8 p.m., EST, Monday - Friday.

PART	DESCRIPTION	PART#
1	Hand Shower	RP38265*
2	Washer	RP64219
3	Shower Hose	RP38236
4	Aerator	RP30185
5	Plastic wrench	RP30186
6	Spout assembly	RP80501*
7	O-Ring	RP60107
8	Set Screw	RP50002
9	Cartridge	RP20063
10	Bonnet	RP70015
11	Cap	RP80008*
12	Screw	RP50049
13	Handle	RP13381*
14	Set Screw	RP50113
15	Index	RP10067*
16	Escutcheon	RP80502*
17	Screw	RP50037
18	Anchor	RP50036



Printed in China