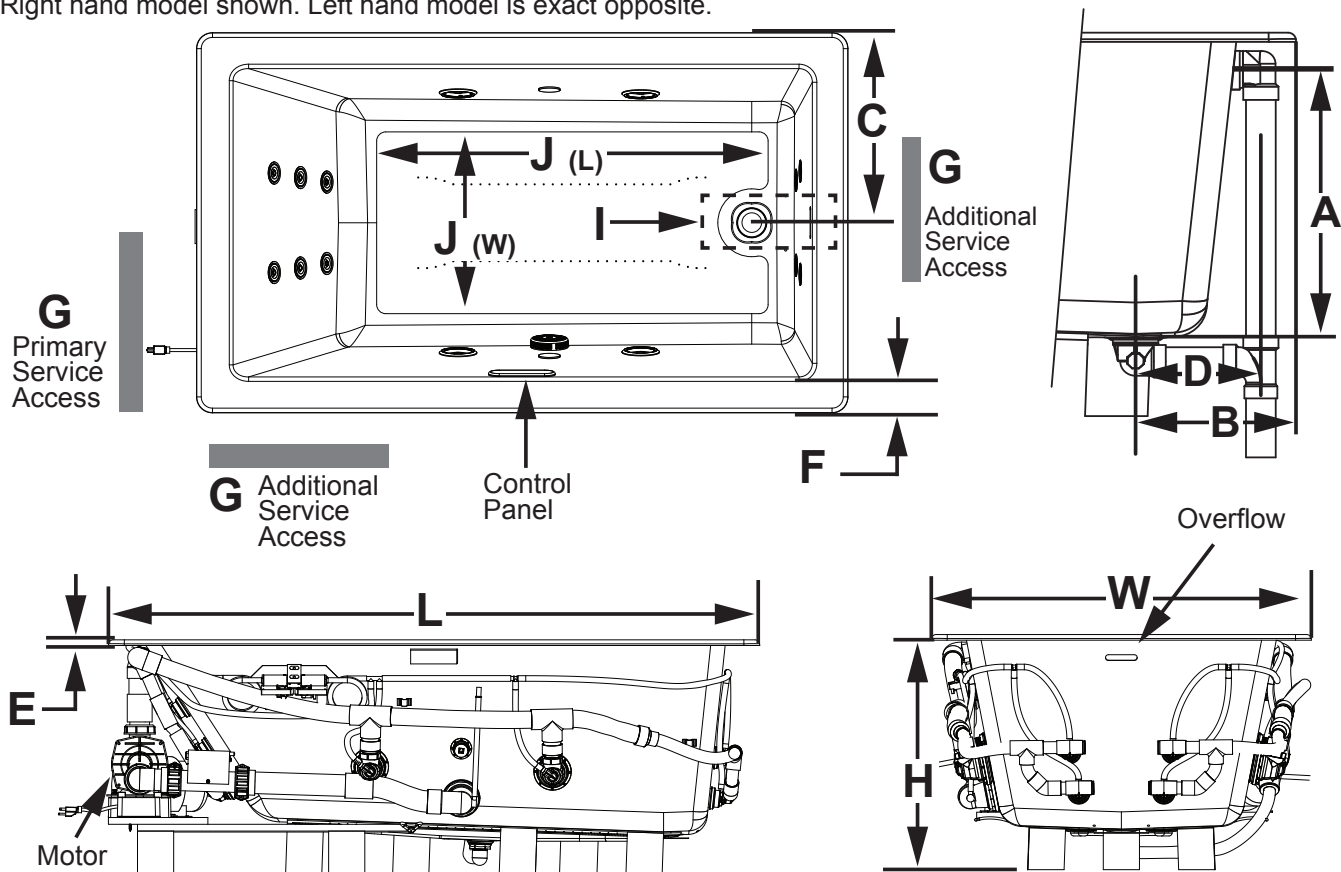


Elara® Technical Specifications for 7242

Letter	Description	SOAKING	PURE AIR® BATH	WHIRLPOOL	SALON® SPA	Each component requires a separate, dedicated GFCI protected circuit	
-	Drain/Blower/Motor Location	LH/RH Drain	LH/RH Drain/Right or Left Side Blower	LH/RH Drain/Right or Left Side Motor	LH/RH Drain/Right or Left Side Blower/Motor		Model with components
-	Drop-in Cutout Dimensions (L x W)	70" x 40" (1778 mm x 1016 mm)					GFCI Outlet (60Hz)
-	Total Weight	1396 lbs (633 kg)	1442 lbs (654 kg)	1454 lbs (659 kg)	1464 lbs (664 kg)	SOAKING	
-	Floor Loading	66 lb/ft ² (325 kg/m ²)	69 lb/ft ² (335 kg/m ²)	69 lb/ft ² (338 kg/m ²)	70 lb/ft ² (340 kg/m ²)	Soaker only	
-	Product Weight	86 lbs (39 kg)	132 lbs (60 kg)	144 lbs (65 kg)	154 lbs (90 kg)	Soaker w/ Chromotherapy	
-	Operating Gallons (Max)	127 Gal (480.7 L)					PURE AIR® BATH
-	Soaking Depth	18.6" (472.1 mm)					
L	Outer Length	72" (1829 mm)					Chromotherapy (if available)
W	Outer Width	42" (1067 mm)					WHIRLPOOL
H	Overall Height	26" (660 mm)					
A	Overflow Height	18.9" (480 mm)					Heater (if available)
B	Long Edge to Drain Center	10.63" (270 mm)					SALON® SPA
C	Short Edge to Drain Center	21" (533 mm)					
D	Drain Shoe Length	8.5" (216 mm)					Blower
E	Deck Height	0.63" (16 mm)					
F	Deck Width	4" (102 mm)					
G	Service Access Dimensions	12" x 18" (305 mm x 457 mm)					
I	Floor Cutout for Drain	12" x 6" (305 mm x 152 mm)					
J	Interior Dimensions (bottom of bath) L x W	50.5" x 27" (1283 mm x 686 mm)					

KEY DIMENSIONS* [NOTE: The overall dimensions are nominal with a tolerance of +0 and -.25" (6mm).]

*Right hand model shown. Left hand model is exact opposite.



Refer to installation instructions included with fixture before beginning installation. Please confirm product availability and specifications before commencing with any installation work.

PRODUCT SPECIFICATIONS AND AVAILABILITY ARE SUBJECT TO CHANGE WITHOUT NOTICE

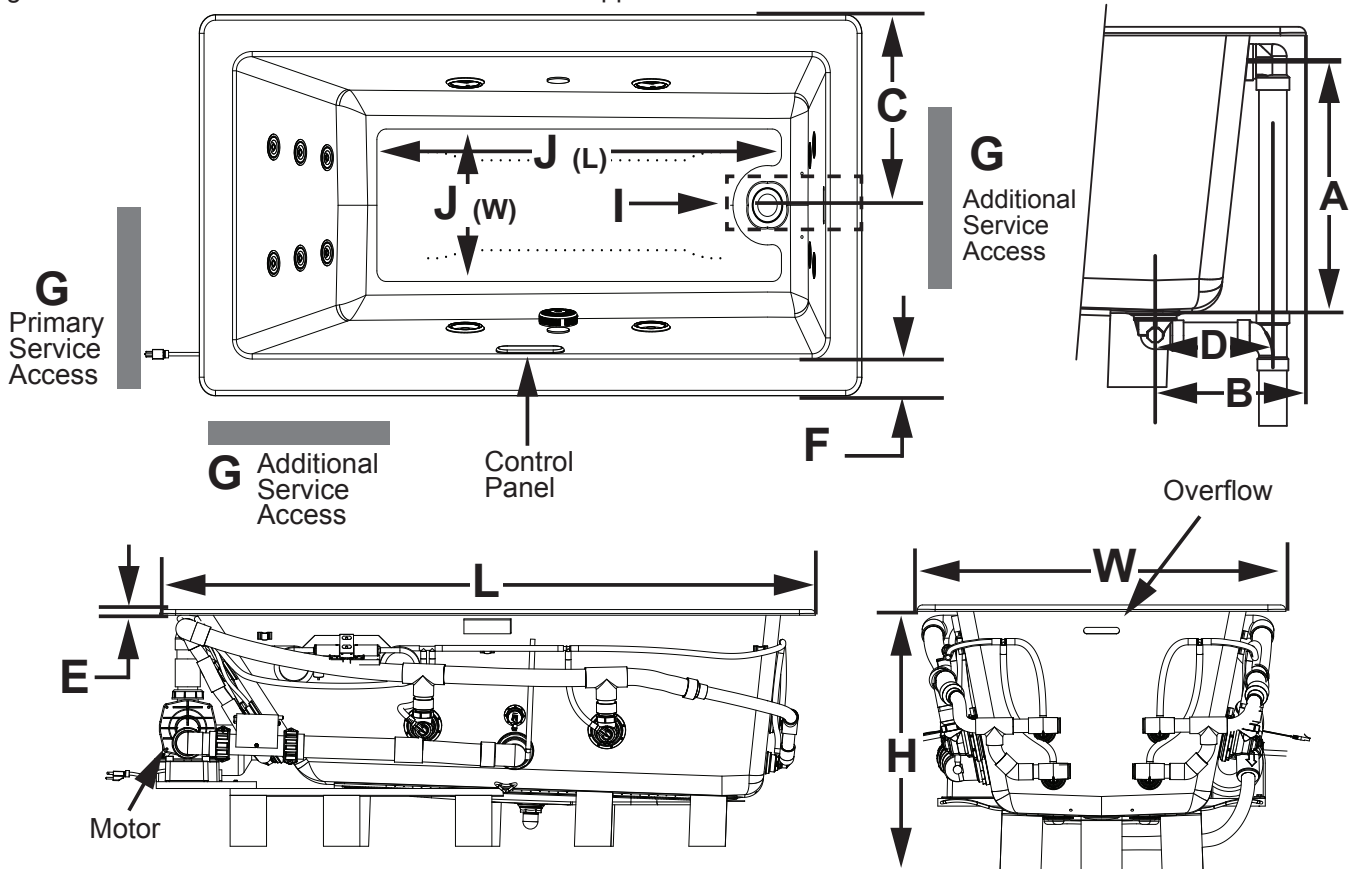


Elara® Technical Specifications for 7236

Letter	Description	SOAKING	PURE AIR® BATH	WHIRLPOOL	SALON® SPA	Each component requires a separate, dedicated GFCI protected circuit			
-	Drain/Blower/Motor Location	LH/RH Drain	LH/RH Drain/Right or Left Side Blower	LH/RH Drain/Right or Left Side Motor	LH/RH Drain/Right or Left Side Blower/Motor				
-	Drop-in Cutout Dimensions (L x W)	70" x 34" (1778 mm x 864 mm)					Model with components	GFCI Outlet (60Hz)	
-	Total Weight	1165 lbs (528 kg)	1211 lbs (549 kg)	1223 lbs (555 kg)	1233 lbs (559 kg)	SOAKING	Soaker only	None	
-	Floor Loading	65 lb/ft² (316 kg/m²)	67 lb/ft² (328 kg/m²)	68 lb/ft² (332 kg/m²)	69 lb/ft² (334 kg/m²)		Soaker w/ Chromatherapy	120V/15A	
-	Product Weight	101 lbs (46 kg)	147 lbs (67 kg)	159 lbs (72 kg)	169 lbs (77 kg)	PURE AIR® BATH	Blower	120V/15A	
-	Operating Gallons (Max)	97 Gal (367.1 L)					Chromatherapy (if available)	120V/15A	
-	Soaking Depth	17.7" (449.3 mm)					WHIRLPOOL	Motor/Pump	120V/20A
L	Outer Length	72" (1829 mm)						Heater (if available)	120V/15A
W	Outer Width	36" (914 mm)					SALON® SPA	Motor/Pump and Heater	240V/20A
H	Overall Height	26" (660 mm)						Blower	120V/15A
A	Overflow Height	18" (457 mm)							
B	Long Edge to Drain Center	10.25" (260 mm)							
C	Short Edge to Drain Center	18" (457 mm)							
D	Drain Shoe Length	8.2" (208 mm)							
E	Deck Height	0.63" (16 mm)							
F	Deck Width	4" (102 mm)							
G	Service Access Dimensions	12" x 18" (305 mm x 457 mm)							
I	Floor Cutout for Drain	12" x 6" (305 mm x 152 mm)							
J	Interior Dimensions (bottom of bath) L x W	51" x 22" (1295 mm x 559 mm)							

KEY DIMENSIONS* [NOTE: The overall dimensions are nominal with a tolerance of +0 and -.25" (6mm).]

*Right hand model shown. Left hand model is exact opposite.



Refer to installation instructions included with fixture before beginning installation. Please confirm product availability and specifications before commencing with any installation work.

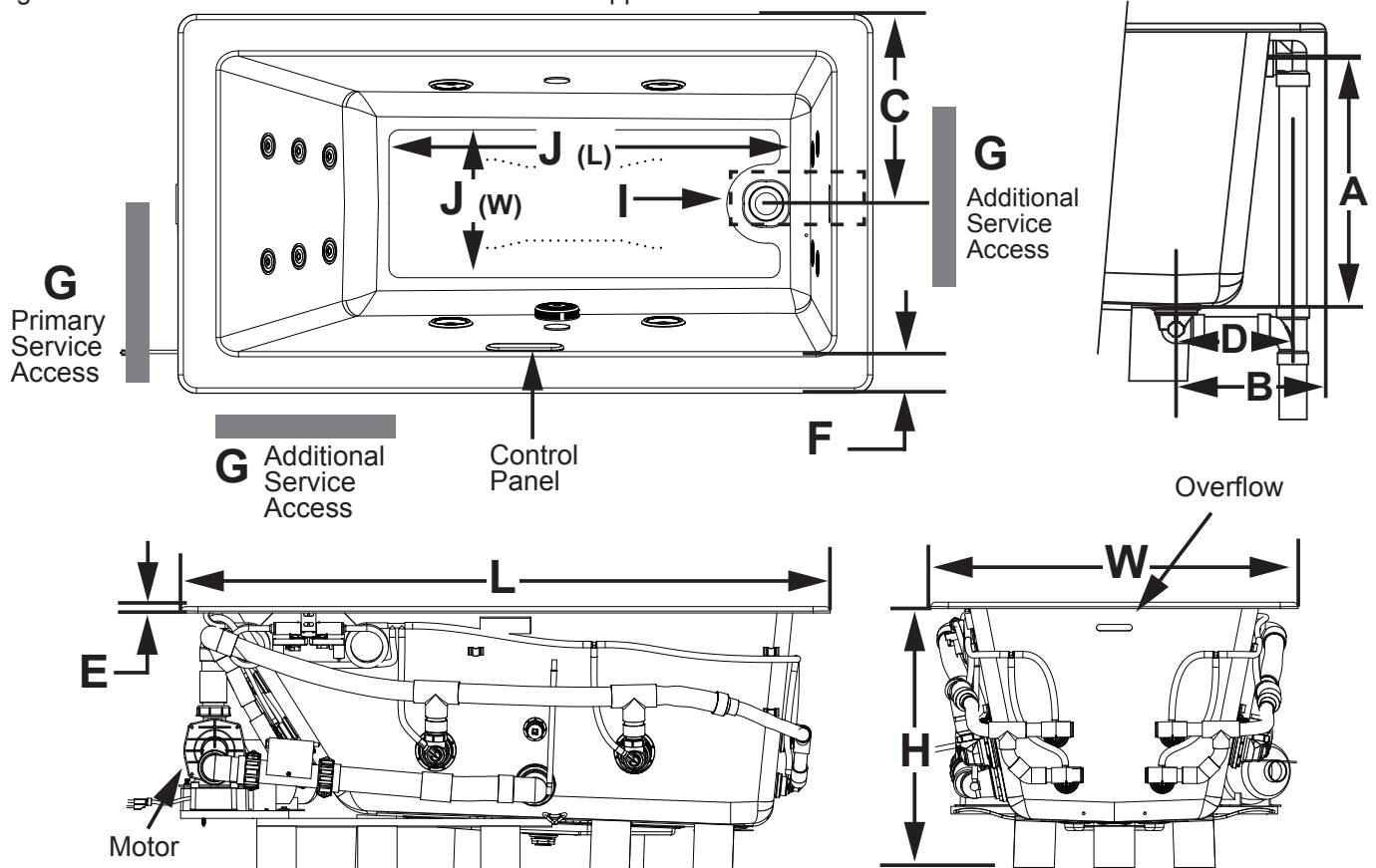
PRODUCT SPECIFICATIONS AND AVAILABILITY ARE SUBJECT TO CHANGE WITHOUT NOTICE

Elara® Technical Specifications for 6636

Letter	Description	SOAKING	PURE AIR® BATH	WHIRLPOOL	SALON® SPA	Each component requires a separate, dedicated GFCI protected circuit			
-	Drain/Blower/Motor Location	LH/RH Drain	LH/RH Drain/Right or Left Side Blower	LH/RH Drain/Right or Left Side Motor	LH/RH Drain/Right or Left Side Blower/Motor				
-	Drop-in Cutout Dimensions (L x W)	64" x 34" (1626 mm x 864 mm)					Model with components	GFCI Outlet (60Hz)	
-	Total Weight	1088 lbs (493 kg)	1134 lbs (514 kg)	1146 lbs (520 kg)	1156 lbs (524 kg)	SOAKING	Soaker only	None	
-	Floor Loading	66 lb/ft ² (322 kg/m ²)	69 lb/ft ² (335 kg/m ²)	69 lb/ft ² (339 kg/m ²)	70 lb/ft ² (342 kg/m ²)		Soaker w/ Chromatherapy	120V/15A	
-	Product Weight	79 lbs (36 kg)	125 lbs (57 kg)	137 lbs (62 kg)	147 lbs (67 kg)	PURE AIR® BATH	Blower	120V/15A	
-	Operating Gallons (Max)	91 Gal (344.4 L)					Chromatherapy (if available)	120V/15A	
-	Soaking Depth	18.6" (472.1 mm)					WHIRLPOOL	Motor/Pump	120V/20A
L	Outer Length	66" (1676 mm)						Heater (if available)	120V/15A
W	Outer Width	36" (914 mm)					SALON® SPA	Motor/Pump and Heater	240V/20A
H	Overall Height	26" (660 mm)						Blower	120V/15A
A	Overflow Height	18.9" (480 mm)							
B	Long Edge to Drain Center	10.63" (270 mm)							
C	Short Edge to Drain Center	18" (457 mm)							
D	Drain Shoe Length	8.5" (216 mm)							
E	Deck Height	0.63" (16 mm)							
F	Deck Width	4" (102 mm)							
G	Service Access Dimensions	12" x 18" (305 mm x 457 mm)							
I	Floor Cutout for Drain	12" x 6" (305 mm x 152 mm)							
J	Interior Dimensions (bottom of bath) L x W	44.25" x 20.75" (1124 mm x 527 mm)							

KEY DIMENSIONS* [NOTE: The overall dimensions are nominal with a tolerance of +0 and -.25" (6mm).]

*Right hand model shown. Left hand model is exact opposite.



Refer to installation instructions included with fixture before beginning installation. Please confirm product availability and specifications before commencing with any installation work.

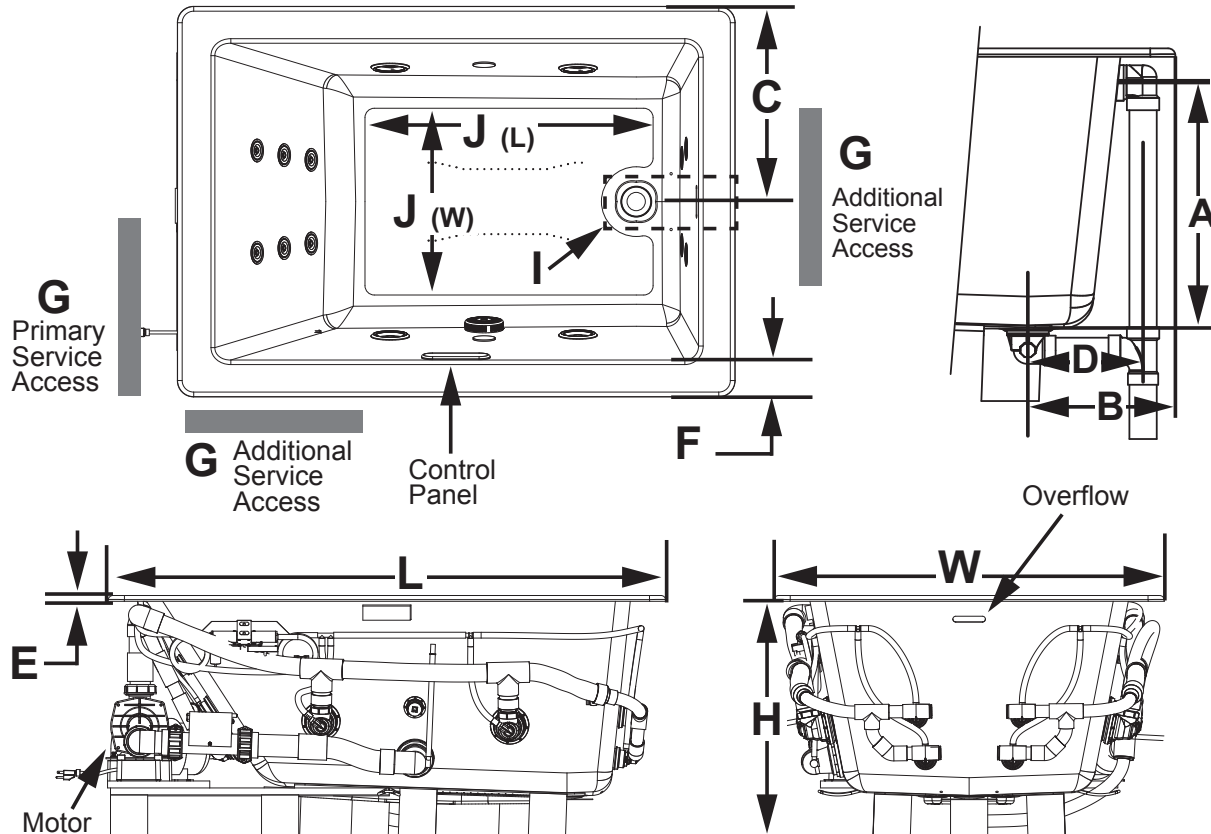
PRODUCT SPECIFICATIONS AND AVAILABILITY ARE SUBJECT TO CHANGE WITHOUT NOTICE

Elara® Technical Specifications for 6042

Letter	Description	SOAKING	PURE AIR® BATH	WHIRLPOOL	SALON® SPA	Each component requires a separate, dedicated GFCI protected circuit		
-	Drain/Blower/Motor Location	LH/RH Drain	LH/RH Drain/Right or Left Side Blower	LH/RH Drain/Right or Left Side Motor	LH/RH Drain/Right or Left Side Blower/Motor	Model with components	GFCI Outlet (60Hz)	
-	Drop-in Cutout Dimensions (L x W)	58" x 40" (1473 mm x 1016 mm)					Soaker only	None
-	Total Weight	1173 lbs (532 kg)	1219 lbs (553 kg)	1231 lbs (558 kg)	1241 lbs (563 kg)	Soaker w/ Chromatherapy	120V/15A	
-	Floor Loading	67 lb/ft ² (327 kg/m ²)	70 lb/ft ² (340 kg/m ²)	70 lb/ft ² (343 kg/m ²)	71 lb/ft ² (346 kg/m ²)	Blower	120V/15A	
-	Product Weight	85 lbs (39 kg)	131 lbs (59 kg)	143 lbs (65 kg)	153 lbs (69 kg)	Chromatherapy (if available)	120V/15A	
-	Operating Gallons (Max)	100 Gal (378.5 L)					Motor/Pump	120V/20A
-	Soaking Depth	18.6" (472.1 mm)					Heater (if available)	120V/15A
L	Outer Length	60" (1524 mm)					Motor/Pump and Heater	240V/20A
W	Outer Width	42" (1067 mm)					Blower	120V/15A
H	Overall Height	26" (660 mm)						
A	Overflow Height	18.9" (480 mm)						
B	Long Edge to Drain Center	10.63" (270 mm)						
C	Short Edge to Drain Center	21" (533 mm)						
D	Drain Shoe Length	8.5" (216 mm)						
E	Deck Height	0.63" (16 mm)						
F	Deck Width	4" (102 mm)						
G	Service Access Dimensions	12" x 18" (305 mm x 457 mm)						
I	Floor Cutout for Drain	12" x 6" (305 mm x 152 mm)						
J	Interior Dimensions (bottom of bath) L x W	38" x 26.8" (965 mm x 681 mm)						

KEY DIMENSIONS* [NOTE: The overall dimensions are nominal with a tolerance of +0 and -.25" (6mm).]

*Right hand model shown. Left hand model is exact opposite.



Refer to installation instructions included with fixture before beginning installation. Please confirm product availability and specifications before commencing with any installation work.

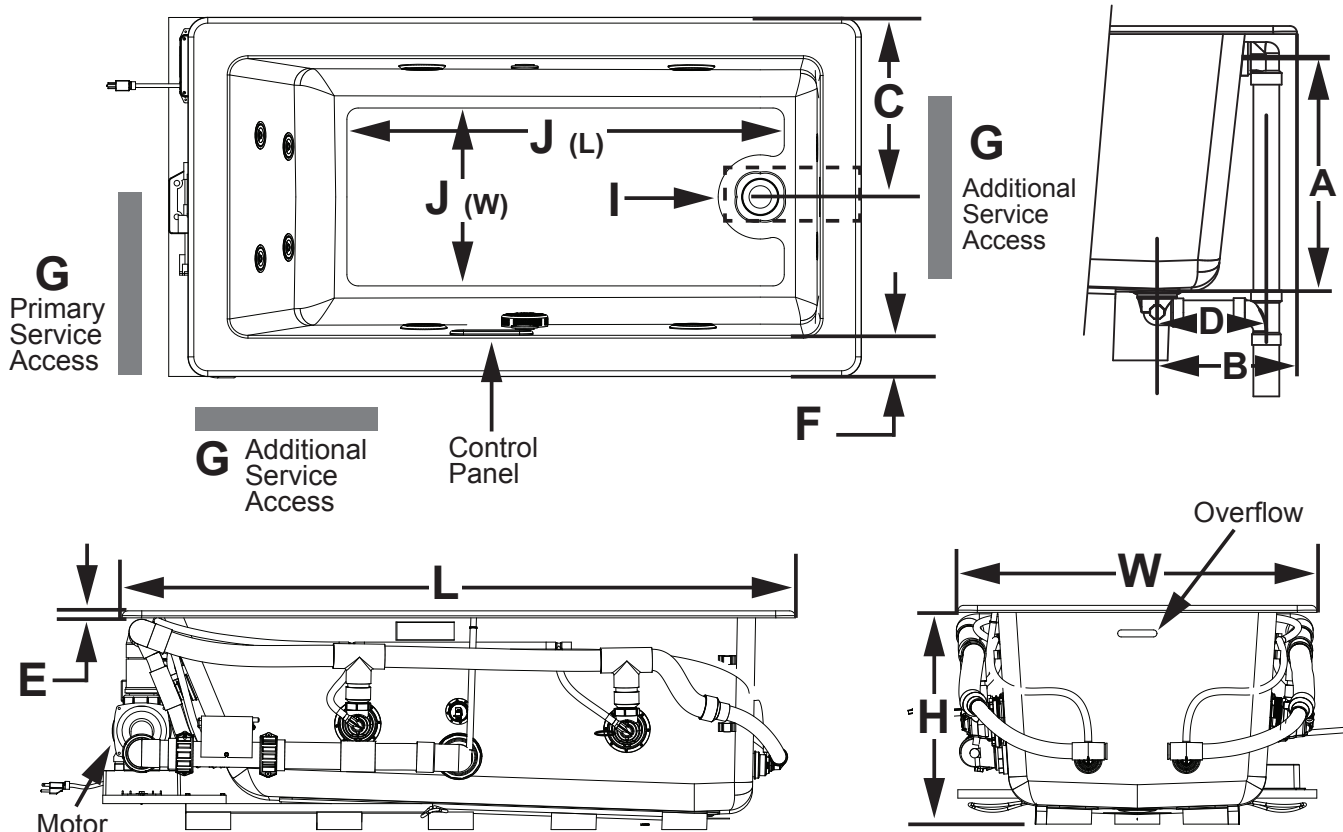
PRODUCT SPECIFICATIONS AND AVAILABILITY ARE SUBJECT TO CHANGE WITHOUT NOTICE

Elara® Technical Specifications for 6032 (Low Profile)

Letter	Description	SOAKING	PURE AIR® BATH	WHIRLPOOL	Each component requires a separate, dedicated GFCI protected circuit		
-	Drain/Blower/Motor Location	LH/RH Drain	LH/RH Drain/Right or Left Side Blower	LH/RH Drain/Right or Left Side Motor			
-	Drop-in Cutout Dimensions (L x W)	58" x 30" (1473 mm x 762 mm)			Model with components	GFCI Outlet (60Hz)	
-	Total Weight	911 lbs (413 kg)	932 lbs (423 kg)	944 lbs (428 kg)	SOAKING	Soaker only	None
-	Floor Loading	68 lb/ft ² (334 kg/m ²)	70 lb/ft ² (341 kg/m ²)	71 lb/ft ² (346 kg/m ²)		Soaker w/ Chromatherapy	120V/15A
-	Product Weight	74 lbs (34 kg)	95 lbs (43 kg)	107 lbs (49 kg)	PURE AIR® BATH	Blower	120V/15A
-	Operating Gallons (Max)	70 Gal (265 L)				Chromatherapy (if available)	120V/15A
-	Soaking Depth	15.2" (386 mm)			WHIRLPOOL	Motor/Pump	120V/20A
L	Outer Length	60" (1524 mm)				Heater (if available)	120V/15A
W	Outer Width	32" (813 mm)					
H	Overall Height	19.5" (495 mm)					
A	Overflow Height	15.5" (394 mm)					
B	Long Edge to Drain Center	9" (229 mm)					
C	Short Edge to Drain Center	16" (406 mm)					
D	Drain Shoe Length	7.5" (191 mm)					
E	Deck Height	0.63" (16 mm)					
F	Deck Width	3.6" (91 mm)					
G	Service Access Dimensions	12" x 18" (305 mm x 457 mm)					
I	Floor Cutout for Drain	12" x 6" (305 mm x 152 mm)					
J	Interior Dimensions (bottom of bath) L x W	45" x 23" (1143 mm x 584 mm)					

KEY DIMENSIONS* [NOTE: The overall dimensions are nominal with a tolerance of +0 and -.25" (6mm).]

*Right hand model shown. Left hand model is exact opposite.



Refer to installation instructions included with fixture before beginning installation. Please confirm product availability and specifications before commencing with any installation work.

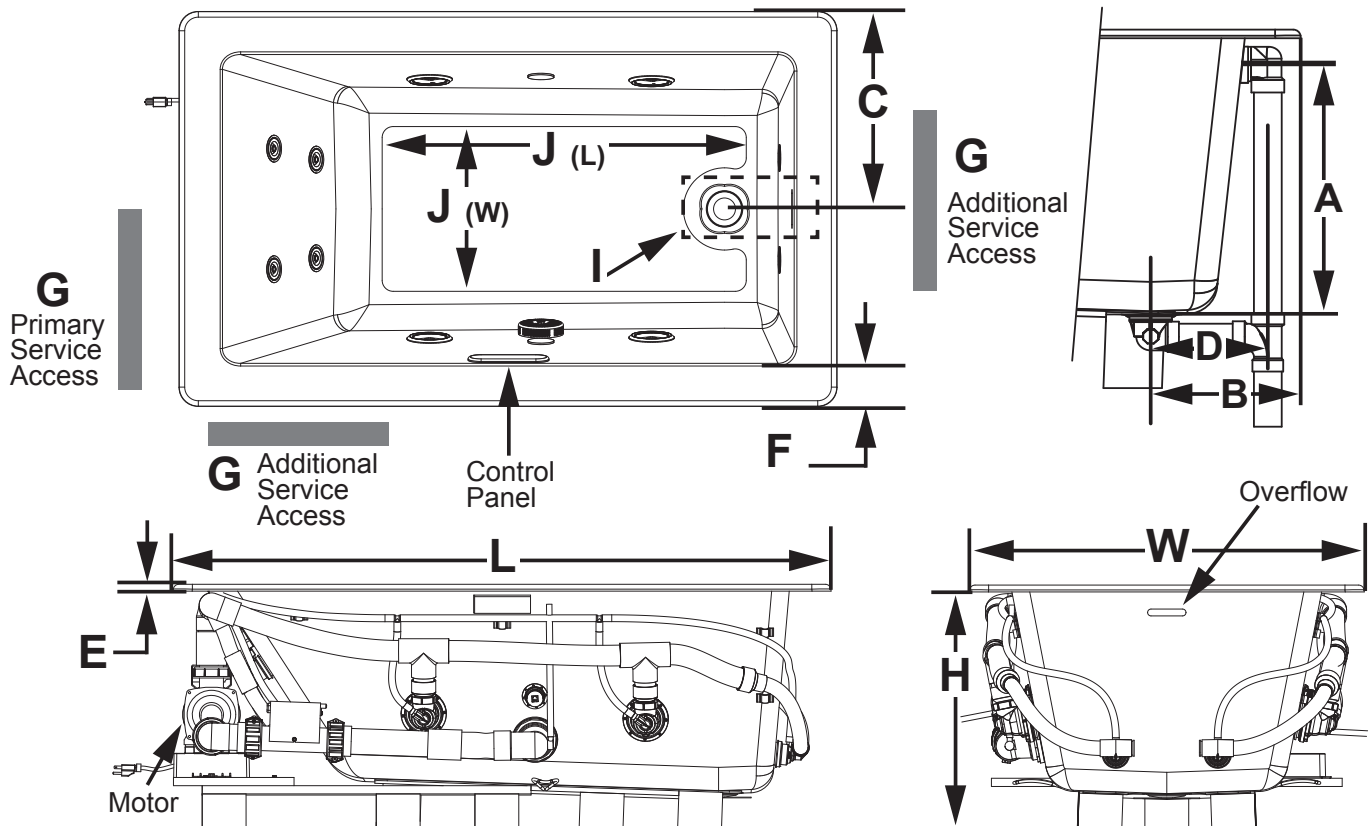
PRODUCT SPECIFICATIONS AND AVAILABILITY ARE SUBJECT TO CHANGE WITHOUT NOTICE

Elara® Technical Specifications for 6036 (Low Profile)

Letter	Description	SOAKING	PURE AIR® BATH	WHIRLPOOL	Each component requires a separate, dedicated GFCI protected circuit		
-	Drain/Blower/Motor Location	LH/RH Drain	LH/RH Drain/Right or Left Side Blower	LH/RH Drain/Right or Left Side Motor			
-	Drop-in Cutout Dimensions (L x W)	58" x 34" (1473 mm x 864 mm)			Model with components	GFCI Outlet (60Hz)	
-	Total Weight	931 lbs (422 kg)	952 lbs (432 kg)	964 lbs (437 kg)	SOAKING	Soaker only	None
-	Floor Loading	62 lb/ft ² (303 kg/m ²)	63 lb/ft ² (310 kg/m ²)	64 lb/ft ² (314 kg/m ²)		Soaker w/ Chromatherapy	120V/15A
-	Product Weight	79 lbs (36 kg)	100 lbs (45 kg)	112 lbs (51 kg)	PURE AIR® BATH	Blower	120V/15A
-	Operating Gallons (Max)	72 Gal (272.5 L)				Chromatherapy (if available)	120V/15A
-	Soaking Depth	16.2" (411 mm)					
L	Outer Length	60" (1524 mm)			WHIRLPOOL	Motor/Pump	120V/20A
W	Outer Width	36" (914 mm)				Heater (if available)	120V/15A
H	Overall Height	22.5" (572 mm)					
A	Overflow Height	16.5" (419 mm)					
B	Long Edge to Drain Center	10.3" (262 mm)					
C	Short Edge to Drain Center	18" (457 mm)					
D	Drain Shoe Length	8.25" (210 mm)					
E	Deck Height	0.63" (16 mm)					
F	Deck Width	4" (102 mm)					
G	Service Access Dimensions	12" x 18" (305 mm x 457 mm)					
I	Floor Cutout for Drain	12" x 6" (305 mm x 152 mm)					
J	Interior Dimensions (bottom of bath) L x W	40.3" x 21.8" (1024 mm x 554 mm)					

KEY DIMENSIONS* [NOTE: The overall dimensions are nominal with a tolerance of +0 and -.25" (6mm).]

*Right hand model shown. Left hand model is exact opposite.



Refer to installation instructions included with fixture before beginning installation. Please confirm product availability and specifications before commencing with any installation work.

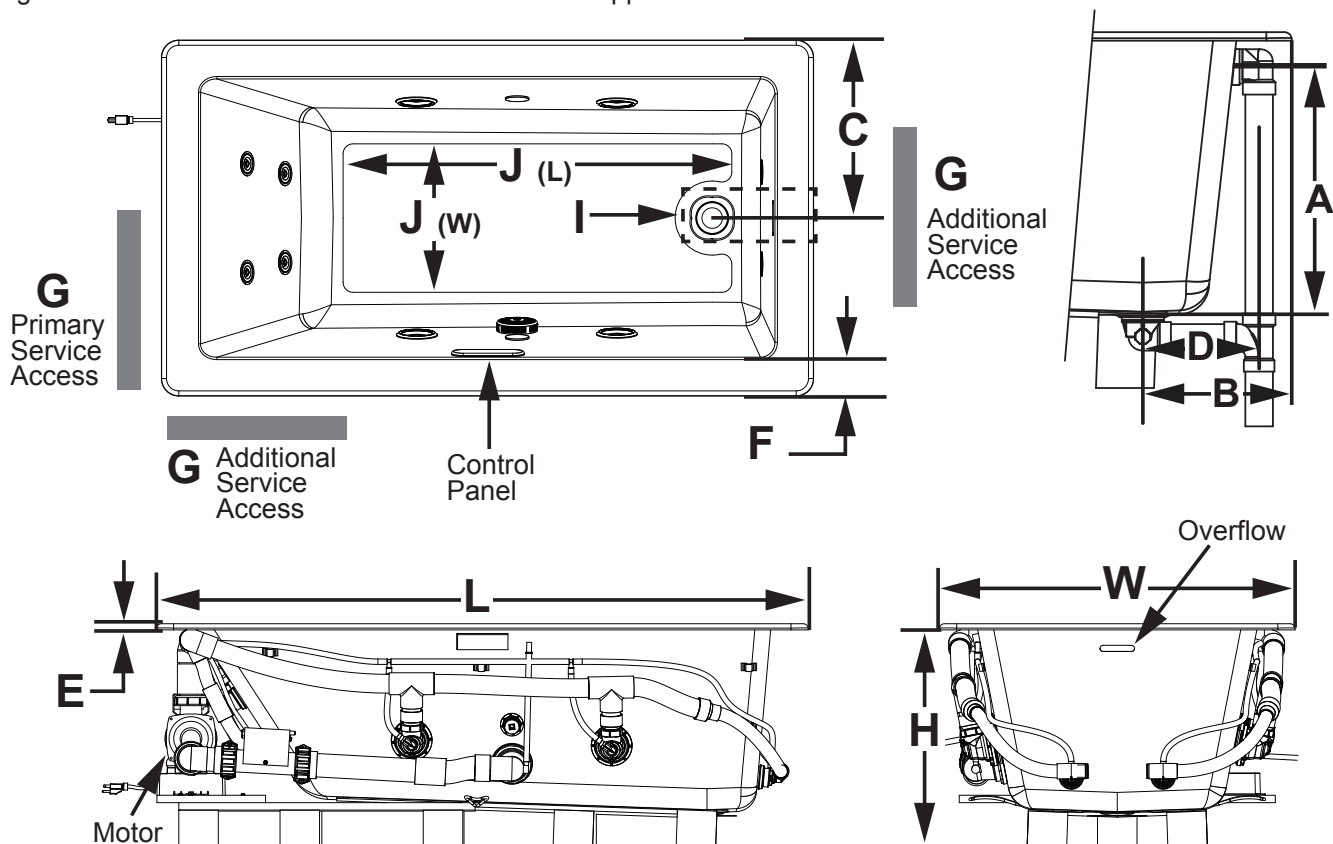
PRODUCT SPECIFICATIONS AND AVAILABILITY ARE SUBJECT TO CHANGE WITHOUT NOTICE

Elara® Technical Specifications for 6636 (Low Profile)

Letter	Description	SOAKING	PURE AIR® BATH	WHIRLPOOL	Each component requires a separate, dedicated GFCI protected circuit		
-	Drain/Blower/Motor Location	LH/RH Drain	LH/RH Drain/Right or Left Side Blower	LH/RH Drain/Right or Left Side Motor			
-	Drop-in Cutout Dimensions (L x W)	64" x 34" (1626 mm x 864 mm)			Model with components	GFCI Outlet (60Hz)	
-	Total Weight	1007 lbs (457 kg)	1028 lbs (466 kg)	1040 lbs (472 kg)	SOAKING	Soaker only	None
-	Floor Loading	61 lb/ft ² (298 kg/m ²)	62 lb/ft ² (304 kg/m ²)	63 lb/ft ² (308 kg/m ²)		Soaker w/ Chromatherapy	120V/15A
-	Product Weight	77 lbs (35 kg)	98 lbs (44 kg)	110 lbs (50 kg)	PURE AIR® BATH	Blower	120V/15A
-	Operating Gallons (Max)	81 Gal (306.6 L)				Chromatherapy (if available)	120V/15A
-	Soaking Depth	16.2" (411 mm)			WHIRLPOOL	Motor/Pump	120V/20A
L	Outer Length	66" (1676 mm)				Heater (if available)	120V/15A
W	Outer Width	36" (914 mm)					
H	Overall Height	22.5" (572 mm)					
A	Overflow Height	16.5" (419 mm)					
B	Long Edge to Drain Center	10.3" (262 mm)					
C	Short Edge to Drain Center	18" (457 mm)					
D	Drain Shoe Length	8.25" (210 mm)					
E	Deck Height	0.63" (16 mm)					
F	Deck Width	4" (102 mm)					
G	Service Access Dimensions	12" x 18" (305 mm x 457 mm)					
I	Floor Cutout for Drain	12" x 6" (305 mm x 152 mm)					
J	Interior Dimensions (bottom of bath) L x W	46.5" x 22" (1181 mm x 559 mm)					

KEY DIMENSIONS* [NOTE: The overall dimensions are nominal with a tolerance of +0 and -.25" (6mm).]

*Right hand model shown. Left hand model is exact opposite.



Refer to installation instructions included with fixture before beginning installation. Please confirm product availability and specifications before commencing with any installation work.

PRODUCT SPECIFICATIONS AND AVAILABILITY ARE SUBJECT TO CHANGE WITHOUT NOTICE

