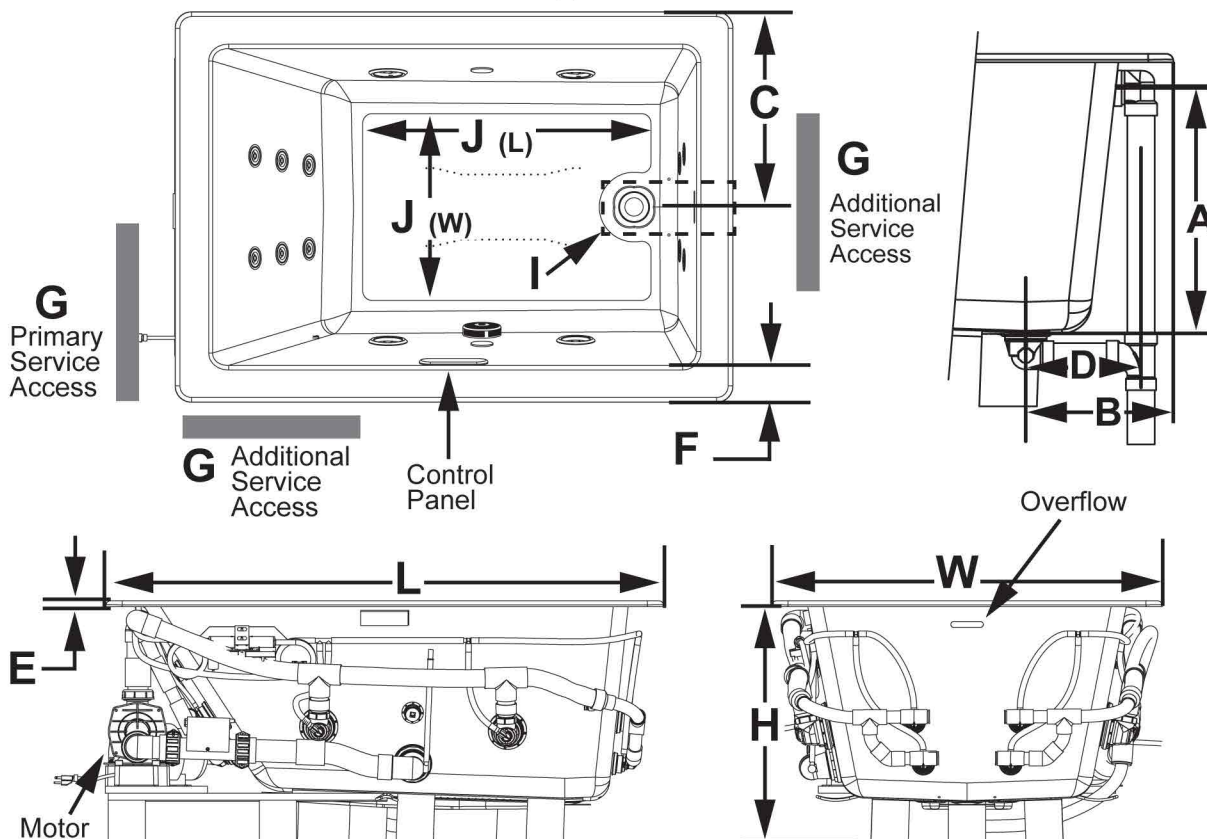


Elara® Technical Specifications for 6042

Letter	Description	SOAKING	PURE AIR® BATH	WHIRLPOOL	SALON® SPA	Each component requires a separate, dedicated GFCI protected circuit			
-	Drain/Blower/Motor Location	LH/RH Drain	LH/RH Drain/Right or Left Side Blower	LH/RH Drain/Right or Left Side Motor	LH/RH Drain/Right or Left Side Blower/Motor				
-	Drop-in Cutout Dimensions (L x W)	58" x 40" (1473 mm x 1016 mm)					Model with components	GFCI Outlet (60Hz)	
-	Total Weight	1173 lbs (532 kg)	1219 lbs (553 kg)	1231 lbs (558 kg)	1241 lbs (563 kg)	SOAKING	Soaker only	None	
-	Floor Loading	67 lb/ft ² (327 kg/m ²)	70 lb/ft ² (340 kg/m ²)	70 lb/ft ² (343 kg/m ²)	71 lb/ft ² (346 kg/m ²)		Soaker w/ Chromatherapy	120V/15A	
-	Product Weight	85 lbs (39 kg)	131 lbs (59 kg)	143 lbs (65 kg)	153 lbs (69 kg)	PURE AIR® BATH	Blower	120V/15A	
-	Operating Gallons (Max)	100 Gal (378.5 L)					Chromatherapy (if available)	120V/15A	
-	Soaking Depth	18.6" (472.1 mm)					WHIRLPOOL	Motor/Pump	120V/20A
L	Outer Length	60" (1524 mm)						Heater (if available)	120V/15A
W	Outer Width	42" (1067 mm)					SALON® SPA	Motor/Pump and Heater	240V/20A
H	Overall Height	26" (660 mm)						Blower	120V/15A
A	Overflow Height	18.9" (480 mm)							
B	Long Edge to Drain Center	10.63" (270 mm)							
C	Short Edge to Drain Center	21" (533 mm)							
D	Drain Shoe Length	8.5" (216 mm)							
E	Deck Height	0.63" (16 mm)							
F	Deck Width	4" (102 mm)							
G	Service Access Dimensions	12" x 18" (305 mm x 457 mm)							
I	Floor Cutout for Drain	12" x 6" (305 mm x 152 mm)							
J	Interior Dimensions (bottom of bath) L x W	38" x 26.8" (965 mm x 681 mm)							

KEY DIMENSIONS* [NOTE: The overall dimensions are nominal with a tolerance of +0 and -.25" (6mm).]

*Right hand model shown. Left hand model is exact opposite.



Refer to installation instructions included with fixture before beginning installation. Please confirm product availability and specifications before commencing with any installation work.

PRODUCT SPECIFICATIONS AND AVAILABILITY ARE SUBJECT TO CHANGE WITHOUT NOTICE