

Stella™ Freestanding Bathtub Specifications

Letter	Description	Soaking
-	Drain Location	Universal End Drain
-	Pump Location	N/A
-	Cutout Template	N/A
-	Total Weight	912 lb (414 kg)
-	Floor Loading	59 lb/ft ² (288 kg/m ²)
-	Operating Gallons (Max)	67 Gal (254 L)
-	Product Weight - Empty	104 lb (47 kg)
-	Soaking Depth	15" (381 mm)
L	Outer Length	67" (1702 mm)
W	Outer Width	31" (787 mm)
H	Overall Height (Min/Max)	23.13" / 28.25" (588 mm / 718 mm)
L	Interior Depth - Drain End (D)	17.75" (451 mm)
A	Overflow Height	15.25" (387 mm)
B	Long Edge to Drain Center	15.62" (397 mm)
C	Short Edge to Drain Center	13.38" (340 mm)
D	Drain Shoe Length	N/A
E	Flange Height	N/A
F	Deck Width*	1.5" (38 mm)
G	Service Access Dimensions	No Service Access
J	Interior Dimensions (JW x JL) Bottom of Bath	19.38" x 40.50" (492 mm x 1029 mm)
K	Interior Dimensions (KW x KL) Top of Bath	28.25" x 64.00" (718 mm x 1626 mm)
I	Floor Cutout for Drain	4" x 4v" (102 mm x 102 mm)
M	Backrest Angle	35°

NOTE

The overall dimensions are nominal with a tolerance of +0 and -.25" (6mm).

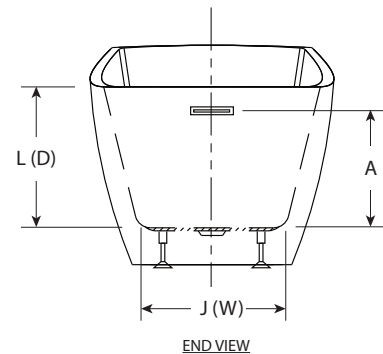
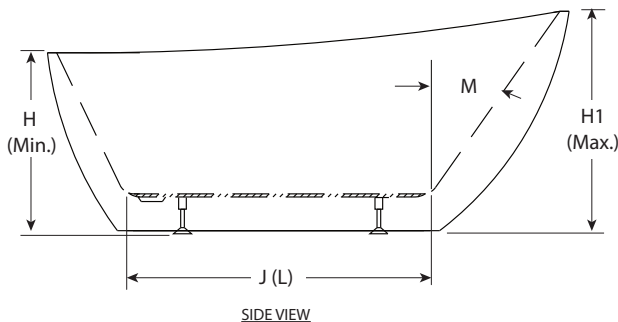
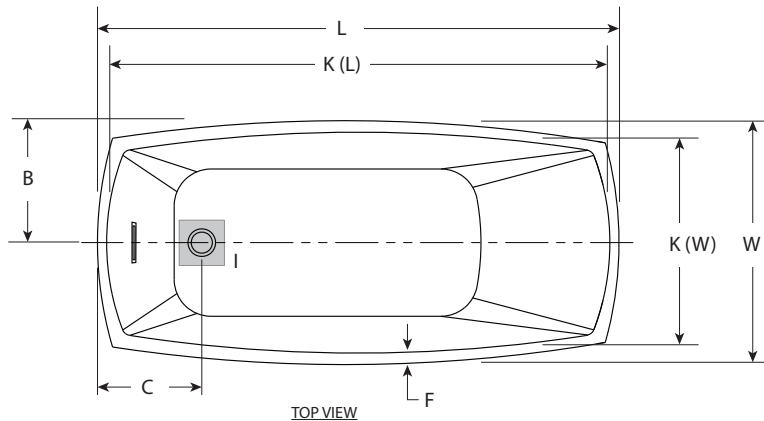


CAUTION: The integral overflow cover is not removable. The warranty will be voided if attempted.

Key Dimensions

NOTE: Drawings not to scale.

*Deck width reflects only area indicated on detail.



©2017 Jacuzzi Luxury Bath • For additional information call Customer Service, 800-288-4002 • www.jacuzzi.com/baths/
Refer to installation instructions included with fixture before beginning installation. Please confirm product availability and specifications before commencing with any installation work
PRODUCT SPECIFICATIONS AND AVAILABILITY ARE SUBJECT TO CHANGE WITHOUT NOTICE.