

Elara® 6836 Freestanding Bathtub - Soaking

Letter	Description	Soaking
-	Drain Location	Universal End Drain
-	Pump Location	N/A
-	Cutout Template	N/A
-	Total Weight	1136 lb (515 kg)
-	Floor Loading	68.9 lb/ft ² (336 kg/m ²)
-	Operating Gallons (Min/Max)	89 Gal (337L)
-	Product Weight - Empty	145 lb (66 kg)
-	Soaking Depth	18.50" (470 mm)
L	Outer Length	68.00" (1727 mm)
W	Outer Width	36.00" (914mm)
H	Overall Height	24.00" (610 mm)
J	Interior Dimensions (JW x JL) Bottom of Bath	20.90" x 44.70" (531 mm x 1135 mm)
K	Interior Dimensions (KW x KL) Top of Bath	28.15" x 58.13" (715 mm x 1477 mm)
L	Interior Depth - Drain End (D)	21.88" (556mm)
A	Overflow Height	21.00" (533 mm)
B	Long Edge to Drain Center	11.83" (300 mm)
C	Short Edge to Drain Center	18.00" (457 mm)
D	Drain Shoe Length	7.68" (195 mm)
E	Flange Height	N/A
F	Deck Width*	4.00" (102 mm)
G	Service Access Dimensions	No Service Access
I	Floor Cutout for Drain	12.00" x 6.00" (305 mm x 152 mm)
M	Backrest Angle	32°

NOTE

The overall dimensions are nominal with a tolerance of +0 and -.25" (6mm).

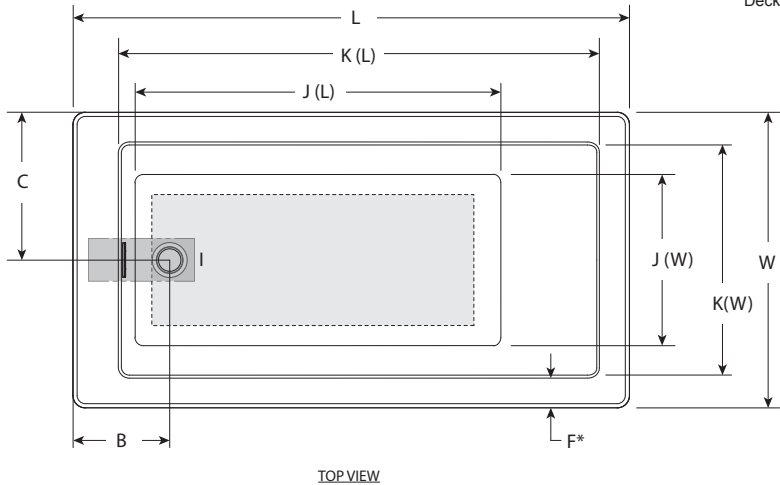
Drain Kit:

Must purchase MF35827- Linear DWO Kit CHR

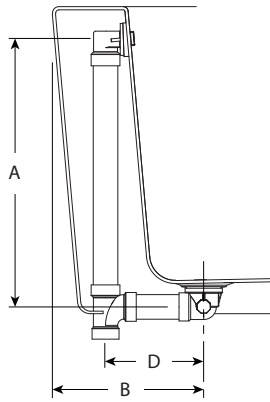
Key Dimensions

NOTE: Drawings not to scale.

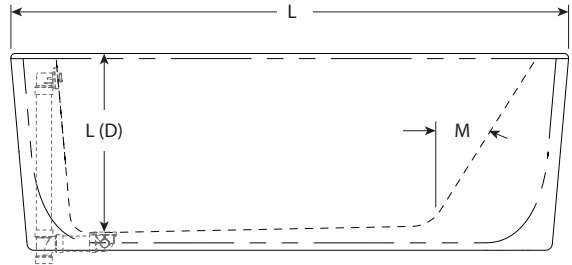
*Deck width reflects only area indicated on detail.



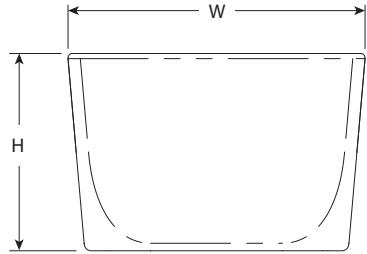
TOP VIEW



DRAIN/OVERFLOW



SIDE VIEW



END VIEW