

Frescia Dark Grey Face Showerhead - 2.0 GPM

Model #: S138-2.0-



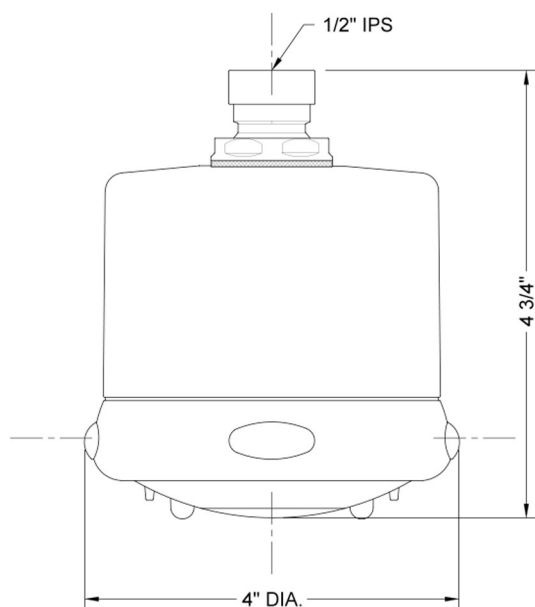
FEATURES:

- 4 function showerhead with 4" face
- 1/2" IPS adjustable brass ball joint to adjust angle of showerhead
- Rubber tabs on adjusting ring for easy grip, no slip adjustment of functions
- Ideal for use with 60° showerarms, 8041 & 8043
- Available flow rates: 2.5, 2.0, 1.75 & 1.5 GPM

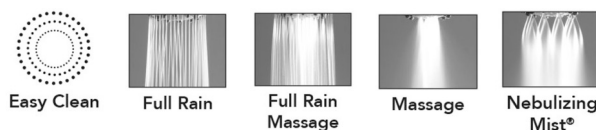
AVAILABLE FINISHES:

Polished Chrome (PCH)	Satin Chrome (SC)	Bronze Umber (BU)
Satin Nickel (SN)	Pewter (PEW)	Caramel Bronze (CB)
Polished Nickel (PN)	Antique Brass (AB)	Antique Copper (ACU)
Oil-Rubbed Bronze (ORB)	Polished Brass (PB)	Polished Copper (PCU)
Vintage Bronze (VB)	Satin Brass (SB)	Matte Black (MBK)
Satin Gold (SG)	Polished Gold (PG)	Black Nickel (BKN)
Satin Cooper (SCU)	Graphite (GPH)	

SPECIFICATION DRAWING:



SPRAY PATTERNS:



COMPLIANCES:

CEC

Complies with: ASME A112.18.1-2012/CSA B125.1-12