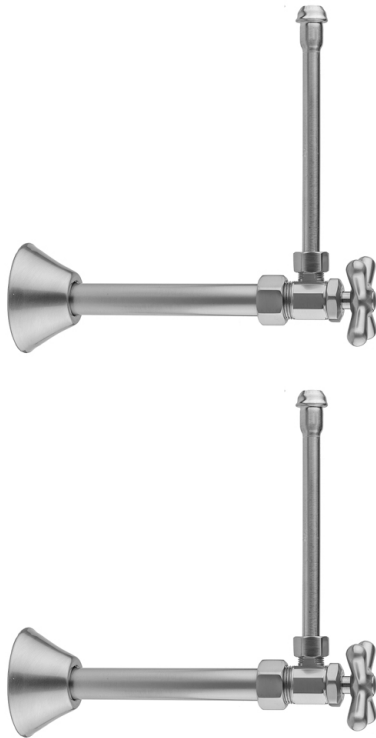


Multi Turn Angle Pattern 5/8" O.D. Compression (Fits 1/2" Copper) x 3/8" O.D. Faucet Supply Kit with Cross Handle, 20" Supply Tubes, Cover Tubes, Escutcheons

Model #: 5812X-62CT-



FEATURES:

- Complete Faucet Supply Kit
- Kit contains:
 - (2) Multi Turn Angle Pattern 5/8" O.D. Compression (Fits 1/2" Copper) x 3/8" O.D. Supply Valve with Cross Handle P/N 5812X
 - (2) 20" Copper Supply Tubes P/N 662
 - (2) Cover Tubes P/N 579
 - (2) Escutcheon P/N 7116

AVAILABLE FINISHES:

Polished Chrome (PCH)	Satin Chrome (SC)	Satin Nickel (SN)
Polished Nickel (PN)	Antique Brass (AB)	Oil-Rubbed Bronze (ORB)
Polished Brass (PB)	Vintage Bronze (VB)	

SPECIFICATION DRAWING:

COMPONENTS	
DESCRIPTION	QTY:
ANGLE VALVE - STANDARD CROSS HANDLE	2
3/8" O.D. SUPPLY TUBE	2
2 3/8" BELL ESCUTCHEON	2
5 1/4" COVER TUBE	2

AVAILABLE HANDLES:

