

# Extra Long Thread Round Toe Control Drain Strainer - 5" Long Thread

**Model #: 530-125-**



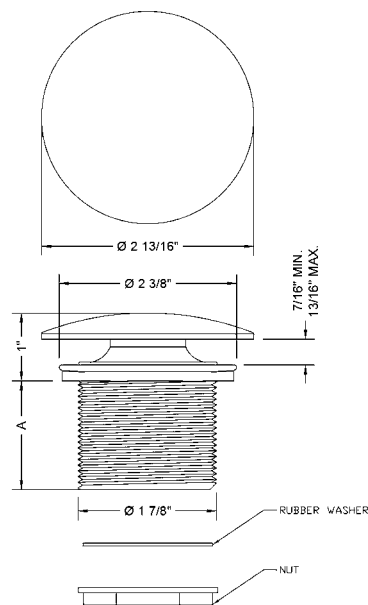
## FEATURES:

- 5" long threads for thick tubs
- Round brass cap (2 7/8" diameter)
- Brass body
- Fits JACLO, Gerber and most other manufacturers

## AVAILABLE FINISHES:

Polished Chrome (PCH)	Satin Chrome (SC)	Bronze Umber (BU)
Satin Nickel (SN)	Pewter (PEW)	Caramel Bronze (CB)
Polished Nickel (PN)	Antique Brass (AB)	Antique Copper (ACU)
Oil-Rubbed Bronze (ORB)	Polished Brass (PB)	Polished Copper (PCU)
Vintage Bronze (VB)	Satin Brass (SB)	Matte Black (MBK)
Satin Gold (SG)	Polished Gold (PG)	Black Nickel (BKN)
White (WH)	Unlacquered Brass (ULB)	Satin Cooper (SCU)
Almond (ALD)	Amber (AMB)	Azure Blue (AZB)
Coral (COR)	Mint Green (GRN)	Stone Grey (GRY)
Lilac (LAC)	Light Blue (LBL)	Limon (LIM)
Plum (PLM)	Pink (PNK)	Red (RED)
Graphite (GPH)	Aged Unlacquered Brass (AUB)	

## SPECIFICATION DRAWING:



BRASS TO-CONTROL DRAIN STRAINER		
PART. #	DESCRIPTION	A
530-75	ROUND TOP TOE-CONTROL DRAIN STRAINER	3"
530-100-	ROUND TOP TOE-CONTROL DRAIN STRAINER	4"
530-125-	ROUND TOP TOE-CONTROL DRAIN STRAINER	5"