

# INSTALLATION INSTRUCTIONS

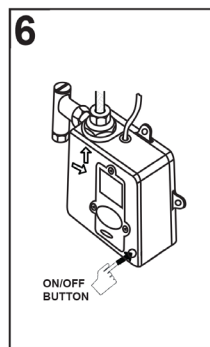
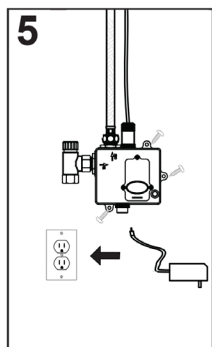
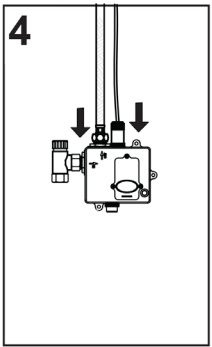
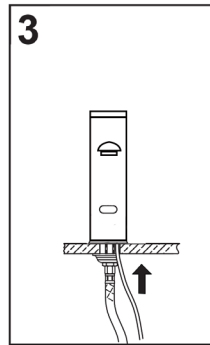
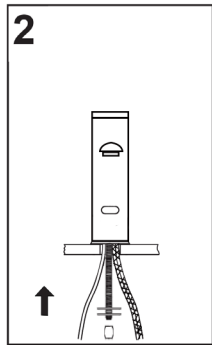
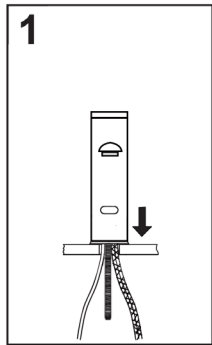
**Contempo Single Hole Sensor Faucet**  
Part #: 884-ESF-\*\*\*\*

**JACLO®**  
Confidence from start to finish.™



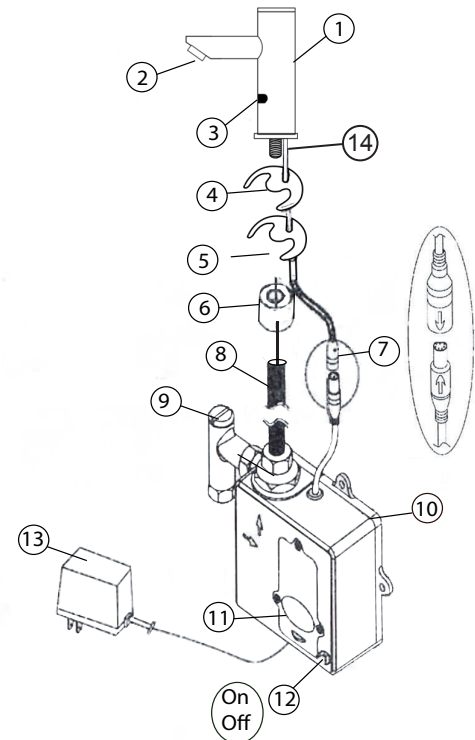
## INSTALLATION

1. Mount faucet through 1" diameter hole in counter top. **Fig. 1**
2. From below, feed the rubber washer (4), stainless steel washer (5) through spout shank (7). **Fig. 2**
3. Tighten nut (6) to spout shank (14). **Fig. 2**
4. Connect supply hose (8) to spout shank (14) **Fig. 3**
5. Connect supply hose (8) and waterproof connection cable (7) to control module (10). **Fig. 4**
6. Remove black plug from bottom of control module (10) and insert AC adapter (13) to control module (10). **Fig. 5**
7. Plug in AC adapter (13) to GFI Outlet. **Fig. 5**
8. Mount control module (10) to a TBD location. **Fig. 5**
9. Press ON/OFF control button (12). **Fig. 6**



## PARTS LIST

1. SPOUT BODY
2. AERATOR
3. INFRARED SENSOR EYE
4. RUBBER WASHER
5. STAINLESS STEEL WASHER
6. MOUNTING NUT
7. WATERPROOF CONNECTION CABLE
8. SUPPLY HOSE
9. FILTER
10. CONTROL MODULE
11. BATTERY COVER
12. ON/OFF CONTROL BUTTON
13. ADAPTER AC100-240V
14. SPOUT SHANK



## SPECIFICATION

Model: Automatic Faucet - 884-ESF-XXX

Body: Solid Brass

Power: i>DC-Alkaline AA Battery \* 4

ii> AC/DC Input 100-240V AC 0.2A

Output 6V DC 1A

Working Pressure: 25 - 125PSI

Water Supply Pipe Size: NPSM 1/2-1/4

Operating Temperature Range: 35 - 180 F

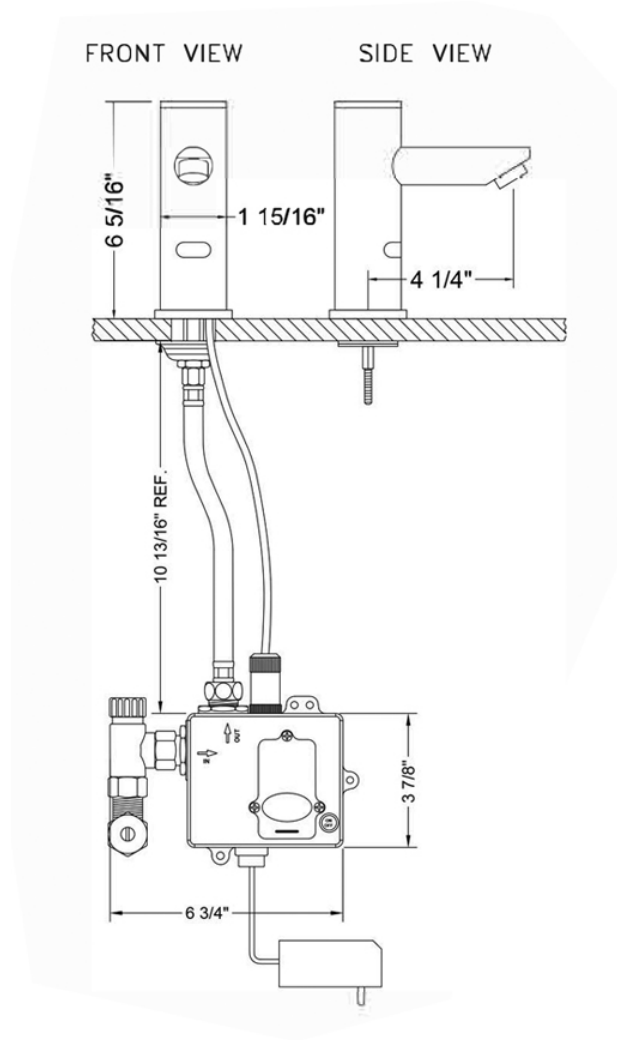
Sensing Distance: 5.5"

Response Time: 0.3 sec

Off Delay Time: 1 sec

Fresh Battery Life Cycle: 400,000 on/off

Low Battery Indicator: Red LED flashing



## OPERATING INSTRUCTIONS

1. Place hands under spout in front of sensor for water to turn on.
2. Water will stay on for one minute as long as hands are in sensor range.
3. Remove hands, and water turns off.
4. If AC power is off, battery backup operates faucet. (fresh batteries operate approximately 400,000 cycles).
5. If the red sensor light stays on, this indicates batteries need to be replaced (see Battery Replacement Installation).

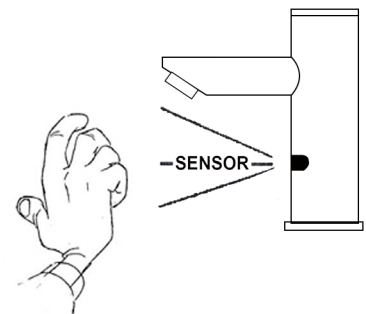
## MAINTENANCE

Keep infrared sensor clean.

Periodically clean inlet filter part 9, page 2.

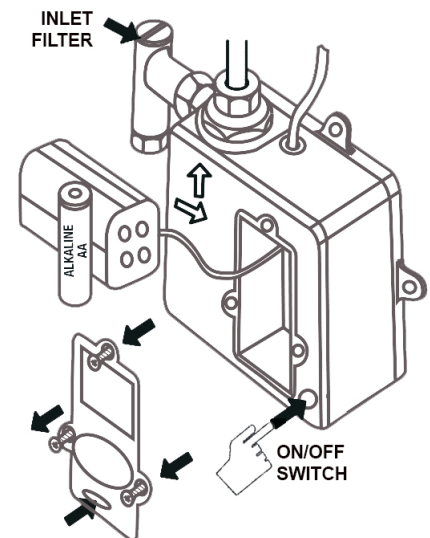
## SENSOR DISTANCE SETUP

1. Press ON/OFF switch and hold until light remains on.
2. Release ON/OFF switch, light goes out.
3. Place hand at desired distance (3/4" - 6 1/2") light will flash.
4. When light is steady on, immediately press ON/OFF switch. New distance is set.



## BATTERY REPLACEMENT INSTALLATION

1. If the red infrared eye LED light is on and water stops flowing, this indicates fresh batteries are needed.
2. Prepare four fresh "AA" Alkaline batteries.
3. Unscrew the three screws on battery cover.
4. Remove the battery cover.
5. Remove the four old batteries.
6. Hold ON/OFF button for 7-10 seconds to erase the CPU memory.
7. Install the four fresh Alkaline batteries properly.
8. Red LED will flash in 2 seconds which indicates normal function is retrieved.
9. Reinstall the battery cover.



# Over Fifty Years of Excellence Proud to be an American Company



## CARE INSTRUCTIONS

In order to maintain the high quality finish of JACLO products, please adhere to the following product care instructions:

**Cleaning JACLO products:** For routine cleaning, simply use a soft damp cloth and common household soap, then rinse and dry. Proper care of your product is important because most water contains calcium that deposits on surfaces, forming unpleasant spots. This can be avoided by routine cleaning and drying after every use. Use only mild soap detergents. JACLO products may be periodically waxed with non abrasive compounds, such as Flitz® faucet wax.

Never use abrasive cleaners, bleach, disinfectants or cleaning products containing alcohol, ammonia, hydrochloric or phosphoric acids as they will damage the product finish.

**Please note:** Your product warranty may not be valid if the above cleaning guidelines are not followed.

## WARRANTY

**Residential Warranty:** Your new plumbing fixture is warranted by JACLO INDUSTRIES, 129 Dermody Street, Cranford, NJ 07016. This warranty is extended to original consumer purchasers only. This warranty gives you specific legal rights, and you may also have other rights which vary from state to state.

The product (including the finish on the product but excluding any custom finishes and any installation hardware not supplied by JACLO) is warranted to be free from defects in material or workmanship under normal use and service for the lifetime\* of the fixture, so long as the original consumer purchaser owns it. JACLO's sole obligation under this or any other warranty is limited to repairing or replacing at JACLO's option, without labor, any part or parts of the fixture which fail to conform to such warranty.

### JACLO WILL NOT BE LIABLE FOR ANY CONSEQUENTIAL OR INCIDENTAL DAMAGES CAUSED BY A BREACH OF THIS OR ANY OTHER WARRANTY.

Some states do not allow the exclusion of limitation of incidental or consequential damages, so the above limitation may not apply to you.

To secure warranty performance, the original consumer purchaser must have the fixture properly and professionally installed in accordance with all codes and installation instructions.

Items and actions that will void the JACLO warranty are:

- Abuse, misuse, neglect and accidental damage
- Improper cleaning, care and maintenance of the fixture
- Alteration of the fixture in any way including removal of a flow regulator/restrictor

All warranty claims must be made in accordance with the JACLO return policy (see below).

JACLO does not authorize any distributor, retailer or other person to modify this warranty or assume any liability on its behalf with respect to it. Any question regarding the operation of warranty should be addressed to JACLO's warranty department.

\*Due to the unpredictable environment, all kitchen drains, strainers and garbage disposal flanges are warranted for the period of one year from date of purchase from an authorized JACLO dealer.

Un-lacquered Brass (ULB) is a living finish and is excluded from any finish warranty.

**Commercial Warranty:** JACLO offers the above warranty for a period of one year from date of purchase to purchasers of products for industrial, commercial, business and all non-private residential uses.

