

New England & Massachusetts Style Mass Code Approved 17 Gauge P Trap

Model #: 272-

FEATURES:

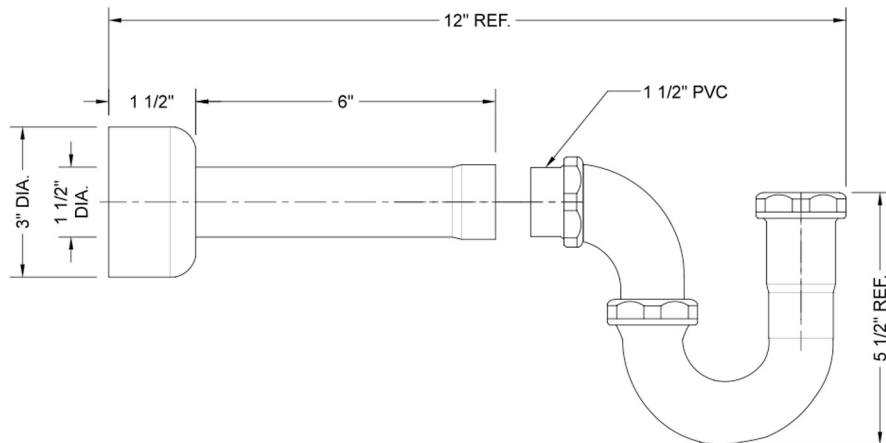
- New England & Massachusetts 17 gauge P trap
- Fits 1 1/2" & 1 1/4" drains, extension tubes & tailpieces
- Complete cover tube, 768- round box high pattern escutcheon & PVC adapter
- Solid brass nuts, fully polished & plated
- Optional 272-CTXL- 15" cover tube sold separately for use when longer length is required



AVAILABLE FINISHES:

Polished Chrome (PCH)	Satin Chrome (SC)	Bronze Umber (BU)
Satin Nickel (SN)	Pewter (PEW)	Caramel Bronze (CB)
Polished Nickel (PN)	Antique Brass (AB)	Antique Copper (ACU)
Oil-Rubbed Bronze (ORB)	Polished Brass (PB)	Polished Copper (PCU)
Vintage Bronze (VB)	Satin Brass (SB)	Matte Black (MBK)
Satin Gold (SG)	Polished Gold (PG)	Black Nickel (BKN)
White (WH)	Unlacquered Brass (ULB)	Satin Cooper (SCU)
Almond (ALD)	Amber (AMB)	Azure Blue (AZB)
Coral (COR)	Mint Green (GRN)	Stone Grey (GRY)
Lilac (LAC)	Light Blue (LBL)	Limon (LIM)
Plum (PLM)	Pink (PNK)	Red (RED)
Graphite (GPH)	Aged Unlacquered Brass (AUB)	

SPECIFICATION DRAWING:



COMPLIANCES:

Complies with: ASME A112.18.2-2015/CSA B125.2-15