

INSTALLATION INSTRUCTIONS

Brass Trims for Thermostatic Valve (J-TH34/J-TH12)

JACLO®

Confidence from start to finish.®

STEP 1: FIND IMAGE AND/OR PART # OF TRIM THAT YOU PURCHASED *(THIS IS WHAT FINISHED PRODUCT WILL LOOK LIKE)*



T878-TRIM



T874-TRIM



T886-TRIM



T885-TRIM



T478-TRIM



T474-TRIM



T488-TRIM



T484-TRIM



T570-TRIM



T573-TRIM



T578-TRIM



T574-TRIM



T592-TRIM



T586-TRIM



T585-TRIM



T537-TRIM



T539-TRIM



T536-TRIM



T778-TRIM



T774-TRIM



T792-TRIM



T786-TRIM



T785-TRIM



T737-TRIM



T739-TRIM



T736-TRIM



T178-TRIM



T174-TRIM



T188-TRIM



T184-TRIM



T530-TRIM



T532-TRIM



T538-TRIM



T572-TRIM



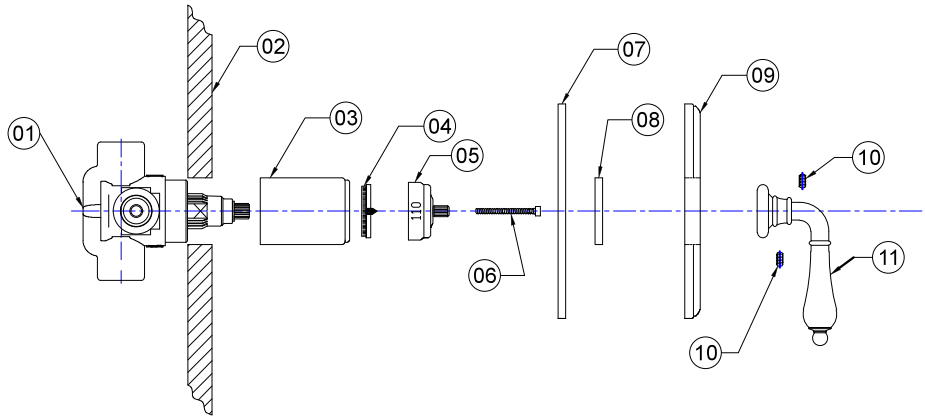
T173-TRIM

CONTINUED →

STEP 2: FIND YOUR PART NUMBER AND FOLLOW THE STEPS IN PICTURE

COMPONENTS

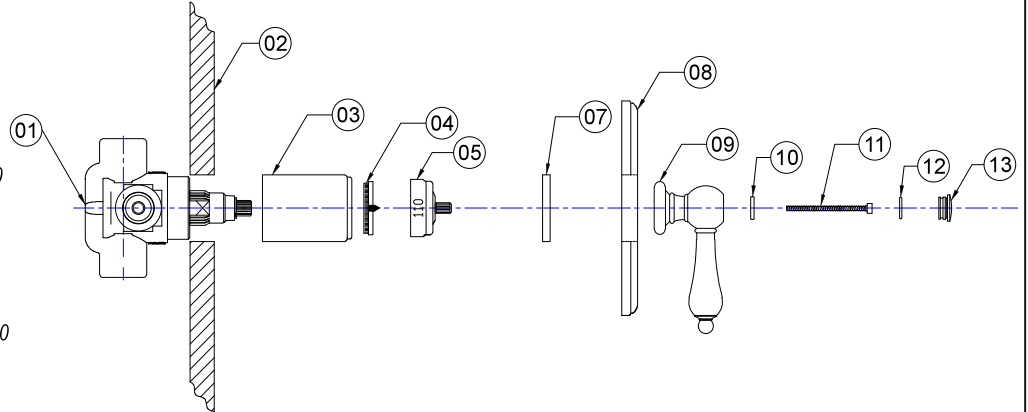
- 01 - J-TH34
- 02 - WALL
- 03 - DIAL SLEEVE - 1050-9-**
- 04 - DIAL POINTER - 1050-8-0
- 05 - TEMPERATURE DIAL - 1050-6-** / 1050-7-0
- 06 - SCREW - TH34-TH12-HRDW-0
- 07 - PLATE GASKET - TH34-THI2-HRDW-0
- 08 - GASKET - 1050-10-0
- 09 - FACE PLATE TRIM - VARIES ON MODEL
- 10 - SET SCREW - VARIES ON MODEL
- 11 - HANDLE - VARIES ON MODEL



- | | | | | | |
|-----------|-----------|-----------|-----------|-----------|-----------|
| T574-TRIM | T774-TRIM | T874-TRIM | T573-TRIM | T572-TRIM | T488-TRIM |
| T585-TRIM | T785-TRIM | T885-TRIM | T174-TRIM | T173-TRIM | T188-TRIM |
| T537-TRIM | T737-TRIM | T474-TRIM | T184-TRIM | T586-TRIM | T530-TRIM |
| T539-TRIM | T739-TRIM | T484-TRIM | T532-TRIM | T786-TRIM | |
| T536-TRIM | T736-TRIM | T570-TRIM | T538-TRIM | T886-TRIM | |

COMPONENTS

- 01 - J-TH34
- 02 - WALL
- 03 - DIAL SLEEVE - 1050-9-**
- 04 - DIAL POINTER - 1050-8-0
- 05 - TEMPERATURE DIAL - 1050-6-** / 1050-7-0
- 06 - PLATE GASKET - TH34-THI2-HRDW-0
- 07 - GASKET - 1050-10-0
- 08 - FACE PLATE TRIM - VARIES ON MODEL
- 09 - HANDLE - VARIES ON MODEL
- 10 - WASHER - 30751-13-0
- 11 - SCREW THRU HANDLE - TH34-THI2-HRW-0
- 12 - "O" RING - 30066-0
- 13 - CAP - VARIES ON MODEL



- | | |
|-----------|-----------|
| T578-TRIM | T178-TRIM |
| T592-TRIM | T878-TRIM |
| T778-TRIM | T478-TRIM |
| T792-TRIM | |