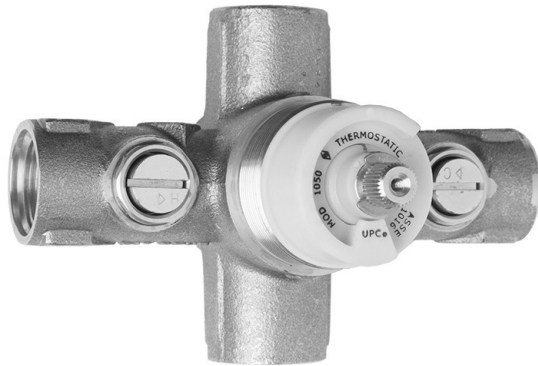


1/2" Thermostatic Valve Model #: J-TH12



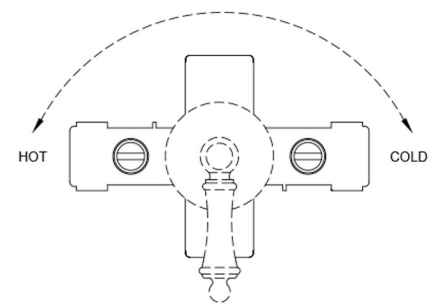
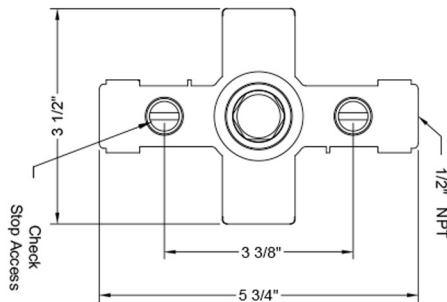
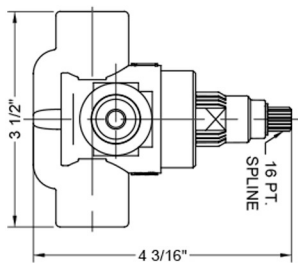
FEATURES:

- Thermostatic mixing valve maintains a constant water temperature automatically, regardless of incoming hot & cold water pressure & temperature. Set valve to desired temperature & no need to adjust further
- Anti-scald protection
- Flow rate: J-TH12 10 GPM @ 60 PSI
- Extension kits available for deep wall installations, see J-TH34-EXT
- Requires separate volume control J-VC34/J-VC12 or diverter J-20686/J-20688 with shut off
- WORKS WELL WITH LOW WATER PRESSURE

AVAILABLE FINISHES:

N/A

SPECIFICATION DRAWING:



THERMOSTATIC
TEMPERATURE
CONTROL