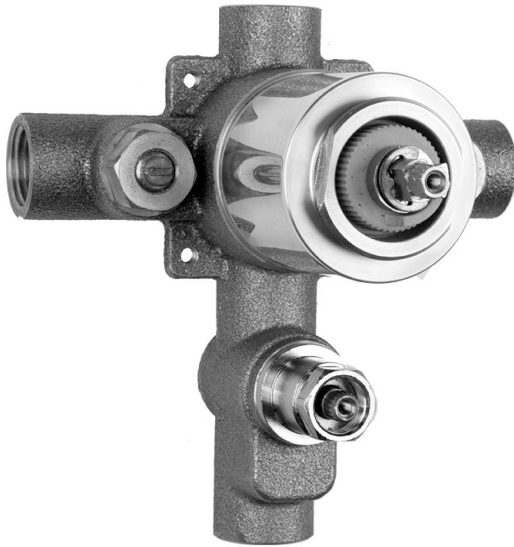


# Pressure Balance Cycling Valve with Built in Diverter

**Model #: J-DIV-CSV**



### FEATURES:

- Pressure balance valve mixes hot & cold water
- Anti-scald protection
- Rotating the handle counter clockwise turns on the water & controls the water temperature
- Built in diverter for diverting between multiple devices (for example, diverting between a showerhead and a handshower)
- Ceramic cartridge
- 1/2" NPT female ports
- 5.2 GPM flow @ 60 PSI
- Extension kit available for deep wall installations, see J-DIV-CSV-EXT-T or J-DIV-CSV-EXT-C
- Works well with low water pressure

### AVAILABLE FINISHES:

N/A

### SPECIFICATION DRAWING:

