

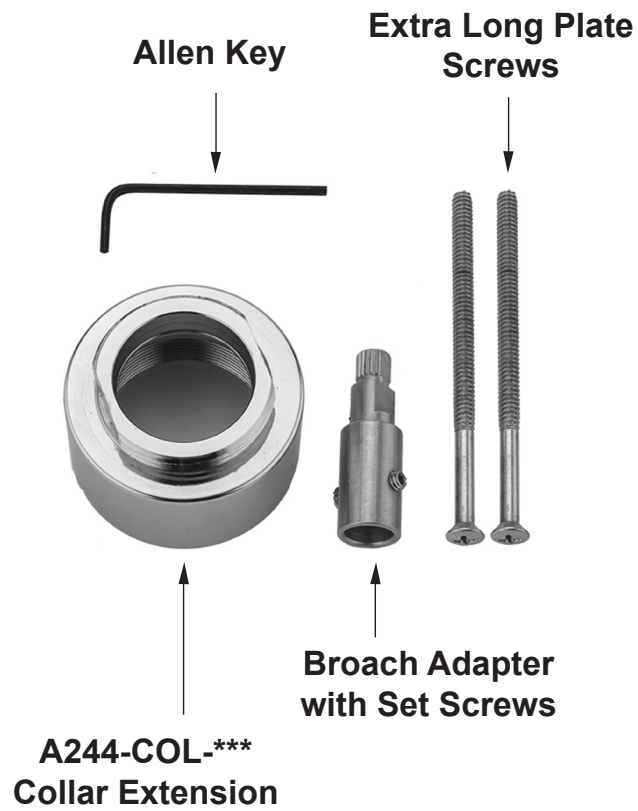
# INSTALLATION INSTRUCTIONS

Extension for Cycling Valve  
Part #: J-CSV-EXT



*J-CSV-EXT*

# PARTS

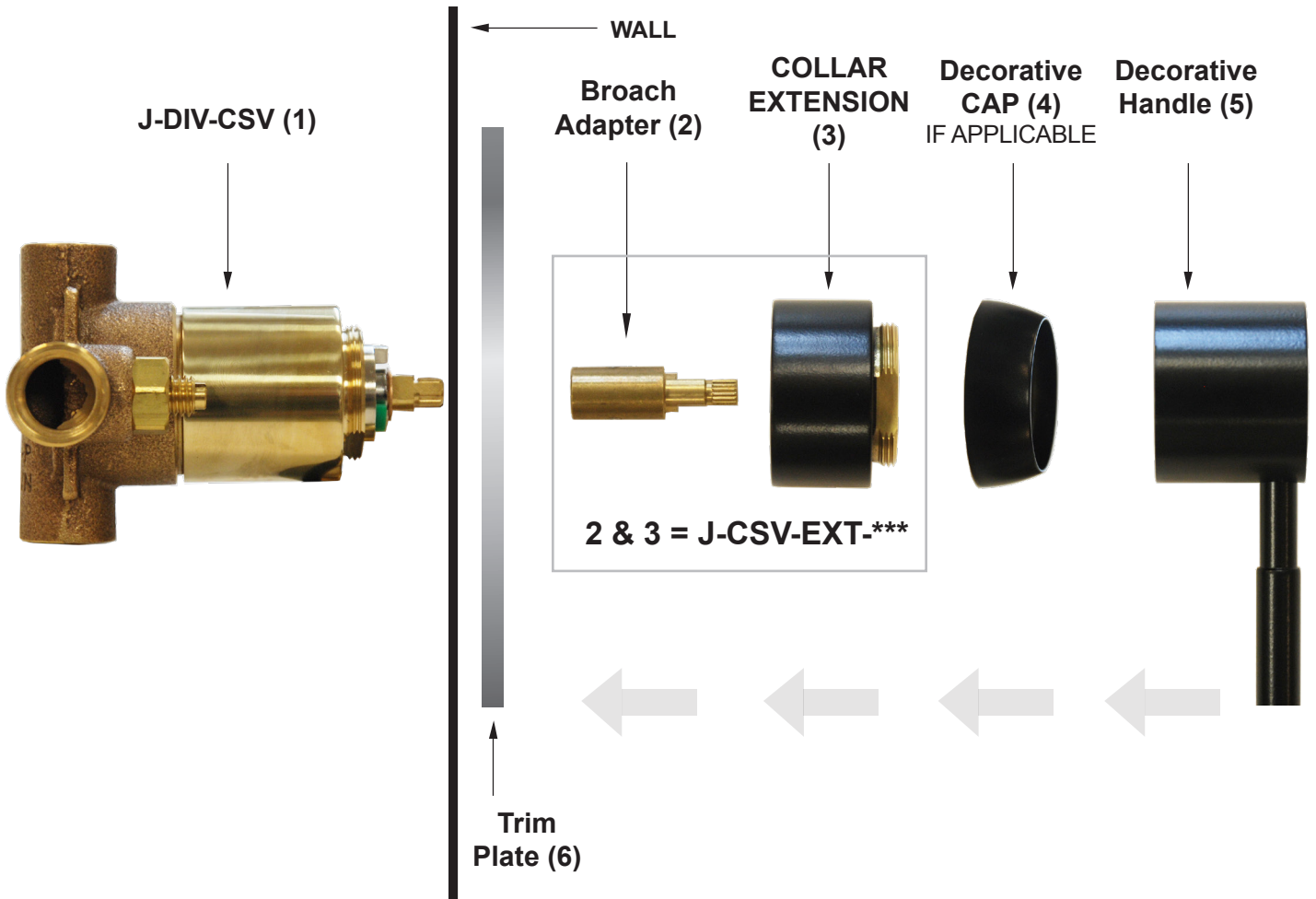


## PREPARATION

1. Remove Decorative Handle (5) & Trim Plate (6)
2. Remove Decorative Cap (4) if present

**\*\*NOTE: NOT ALL CSV'S HAVE A CAP THAT GOES OVER COLLAR\*\***

# INSTALLATION



*PICTURE FOR REFERENCE ONLY*

1. Attach Broach Adapter (2) to J-DIV-CSV stem. Tighten set screws on Broach Adapter.
2. Thread on Collar Extension (3) to existing collar on valve.
3. Replace Decorative Cap (4), (if needed)
4. Attach Existing Decorative Handle (5) by tightening set screw in handle to Broach Adapter (2)

To learn more about JACLO's warranty, please visit [\*\*jaclo.com\*\*](http://jaclo.com)