



**IVES**  
by **SCHLAGE**

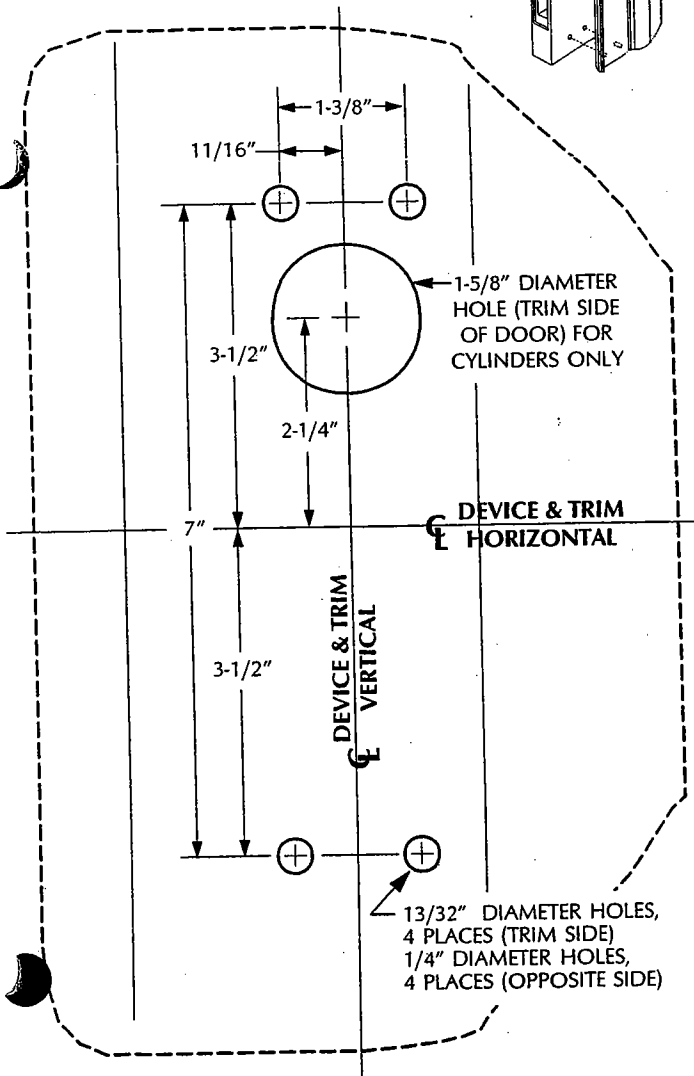
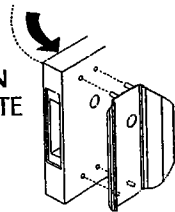
# INSTALLATION INSTRUCTIONS

## VR910M VANDAL RESISTANT TRIM

FOR USE WITH MORTISE DEVICES

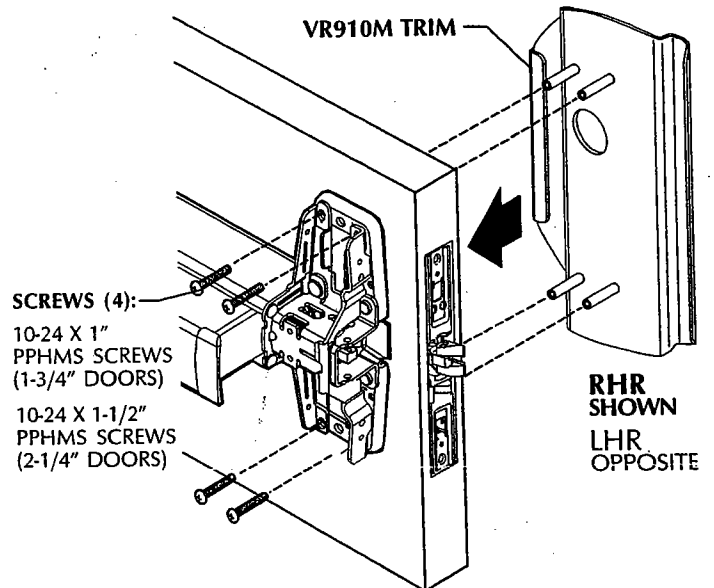
- 1** PREPARE PUSH SIDE OF DOOR FOR EXIT DEVICE. SEE EXIT DEVICE INSTRUCTIONS FOR PREPARATION.
- 2** PREPARE PULL SIDE OF DOOR FOR TRIM.
  - A** TRANSFER VERTICAL AND HORIZONTAL DEVICE CENTER LINES FROM PUSH SIDE OF DOOR TO PULL SIDE.
  - B** LOCATE AND PREPARE ALL HOLES AS INDICATED BELOW.

OUTSIDE FACE OF LOCK STILE    RHR SHOWN  
LHR OPPOSITE



- 3** INSTALL MORTISE LOCK. SEE MORTISE LOCK INSTRUCTIONS.

- 4** INSTALL EXIT DEVICE AND VR910M TRIM.



- 5** INSTALL CYLINDER, IF USING.

