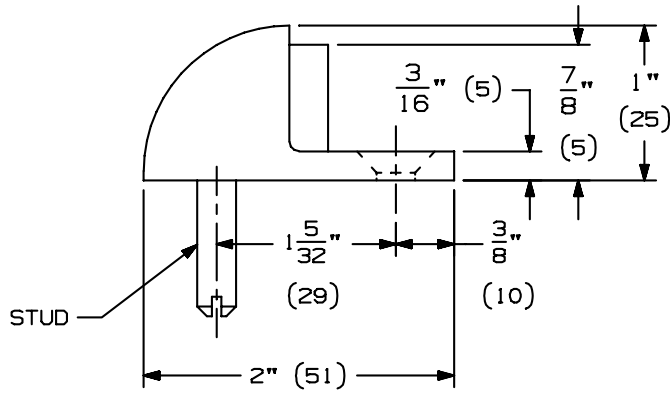
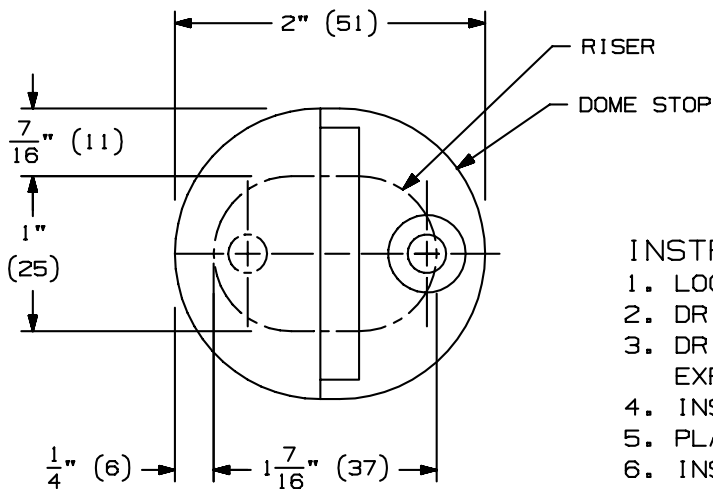
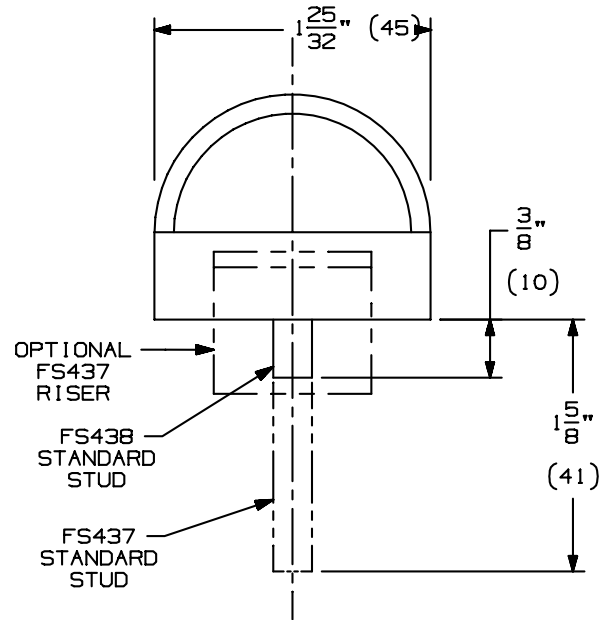
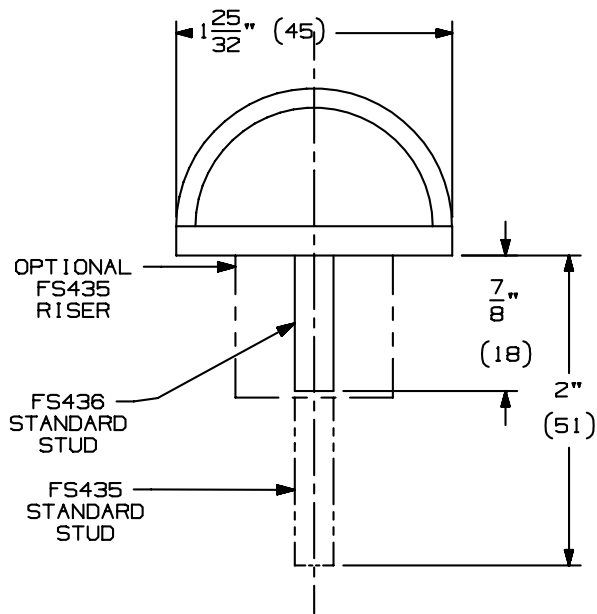
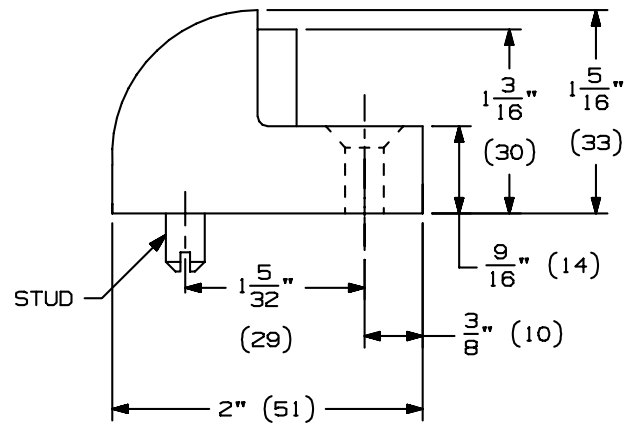


FS436 DOME STOP



FS438 DOME STOP



INSTRUCTIONS:

1. LOCATE POSITION OF DOME STOP.
2. DRILL 9/32" (7 MM) DIA. HOLE FOR THE STUD.
3. DRILL 5/16" (8 MM) DIA. HOLE FOR THE EXPANSION SHIELD.
4. INSERT EXPANSION SHIELD IN PROPER HOLE.
5. PLACE RISER ON DOME STOP IF USED.
6. INSTALL DOME STOP WITH PROPER SCREWS.  
(SEE SHEET 2 FOR SCREW DETAILS)



FS436 & FS438 DOME STOP  
WITH FS435 & FS437 RISERS  
INSTALLATION TEMPLATE



NOTE: DIMENSIONS IN ( ) ARE MILLIMETERS

TEMPLATE  
NUMBER: INST.FS435-438\_0.PG1

DATE:  
09/01/01

SCREW DETAIL

FS436 (ALL)	1/4" DIA. STUD
FS436 (STANDARD)	#14 X 1 1/4" FPHSMS
	#14 EXPANSION SHIELD
FS436 (TAMPIN)	1/4-20 X 1 1/4" FPHMS
	1/4-20 TAMPIN
FS436 (LEAD SHIELD)	#14 X 1 1/4" FPHSMS
	#14 LEAD SHIELD
FS435 & FS436 (ALL)	1/4" DIA. STUD
FS435 & FS436 (STANDARD)	#14 X 2 1/4" FPHSMS
	#14 EXPANSION SHIELD
FS435 & FS436 (LEAD SHIELD)	#14 X 2 1/4" FPHSMS
	#14 LEAD SHIELD
FS438 (ALL)	1/4" DIA. STUD
FS438 (STANDARD)	#14 X 1 3/4" FPHSMS
	#14 EXPANSION SHIELD
FS438 (TAMPIN)	1/4-20 X 1 3/4" FPHMS
	1/4-20 TAMPIN
FS438 (LEAD SHIELD)	#14 X 1 3/4" FPHSMS
	#14 LEAD SHIELD
FS437 & FS438 (ALL)	1/4" DIA. STUD
FS437 & FS438 (STANDARD)	#14 X 2 1/4" FPHSMS
	#14 EXPANSION SHIELD
FS437 & FS438 (LEAD SHIELD)	#14 X 2 1/4" FPHSMS
	#14 LEAD SHIELD



FS436 & FS438 DOME STOP  
WITH FS435 & FS437 RISERS  
INSTALLATION TEMPLATE



NOTE: DIMENSIONS IN ( ) ARE IN MILLIMETERS

TEMPLATE  
NUMBER: INST.FS435-438\_0.PG2

DATE:  
09/26/01