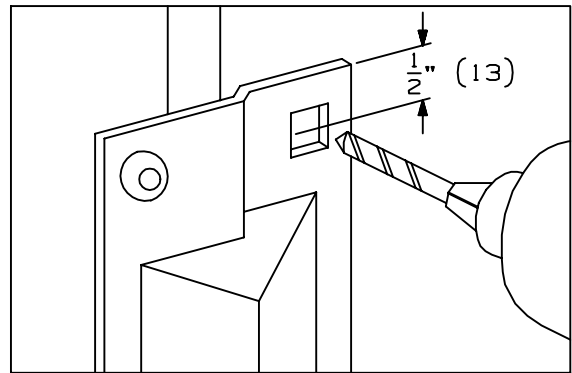
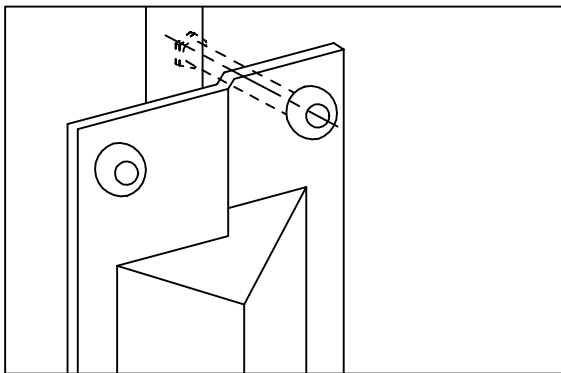


1. LOCATE LOCK GUARD AS SHOWN
 1. MAKE SURE TO CENTER ABOUT THE LOCK CASE.

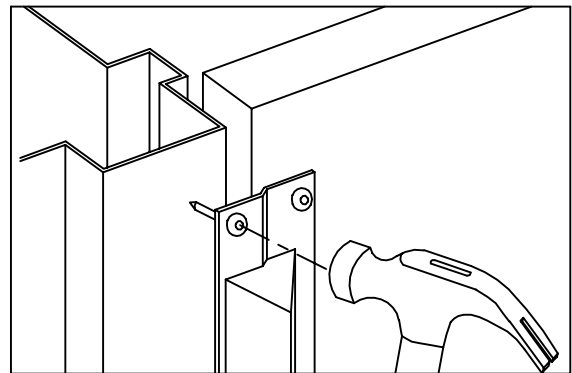


2. WHILE HOLDING LOCK GUARD FIRMLY AGAINST THE DOOR, DRILL (2) 5/16\"/>
 (8) DIA. MOUNTING HOLES.



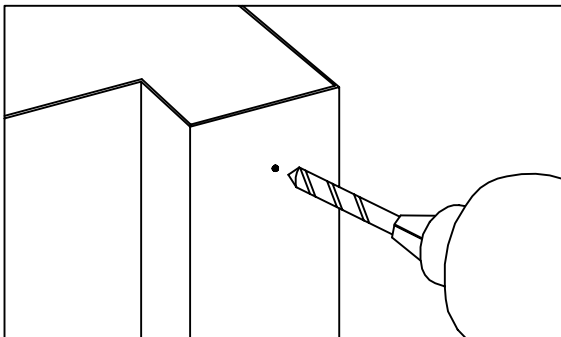
3. FASTEN TO THE DOOR USING (2) SUPPLIED CARRIAGE BOLTS AND HEX NUTS.

LG1 ONLY



4. SWING DOOR CLOSED UNTIL SECURITY PIN TOUCHES THE FRAME. MARK HOLE LOCATION BY HITTING HEAD OF SECURITY PIN WITH HAMMER.

LG1 ONLY



5. DRILL 5/16\"/>
 (8) DIA. HOLE IN THE FRAME TO ACCEPT SECURITY PIN.

NOTES:

1. THE DIMPLE DEPTH IS 1/2\"/>
 (13).
 2. THE DIMPLE LENGTH IS 6 3/4\"/>
 (171).

QTY	MACHINE SCREWS
2	5/16\"/> -18 X 2 1/4\"/> STOVE BOLTS
2	5/16\"/> NUTS

IVES

LG1 & LG7
 LOCK GUARD INSTALLATION TEMPLATE

IR Security & Safety®

NOTE: 1. DIMENSIONS IN () ARE IN MILLIMETERS

TEMPLATE NUMBER: INST.LG1-7_0

DATE: 09/01/01