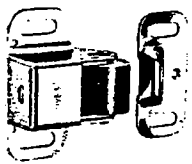


## OTHER IVES PRODUCTS

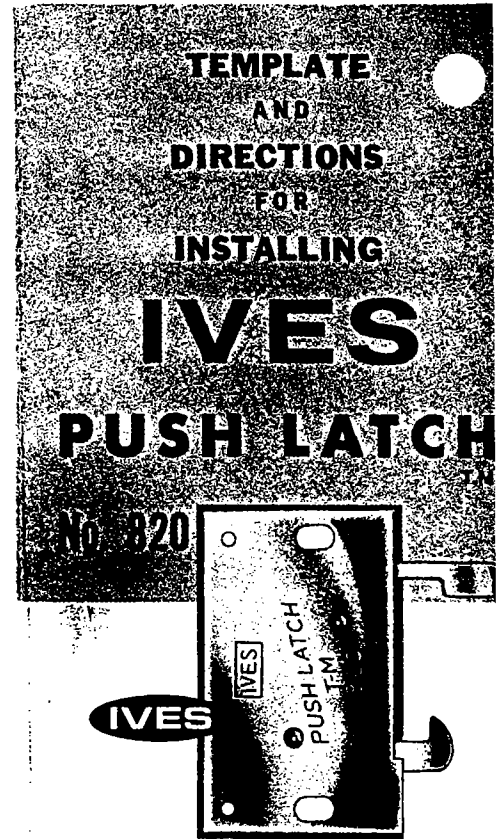
### MAGNETIC CATCHES



### HEAVY DUTY ROLLER CATCHES FOR WARDROBE AND INTERIOR DOORS



Since 1876...  
Quality First...  
Service Always



H. B. IVES, a Harrow company  
New Haven, CT  
(203) 772-0310

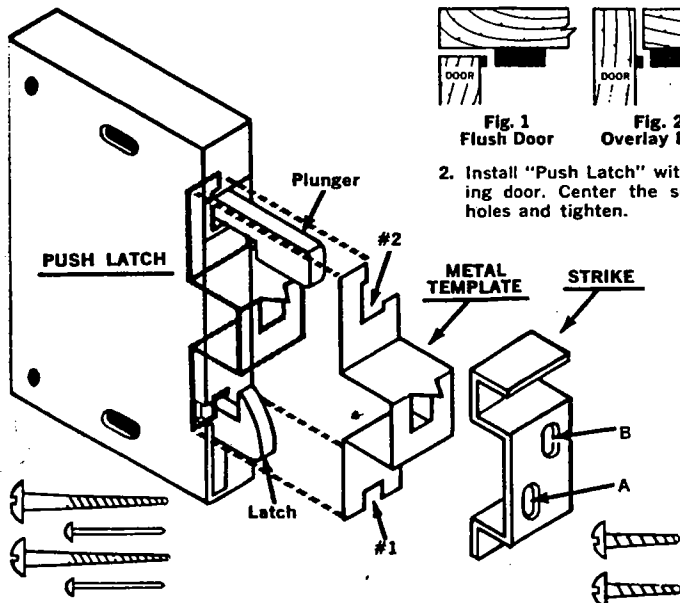
Printed U.S.A.  
PN 110578

## IVES PUSH LATCH NO. 820

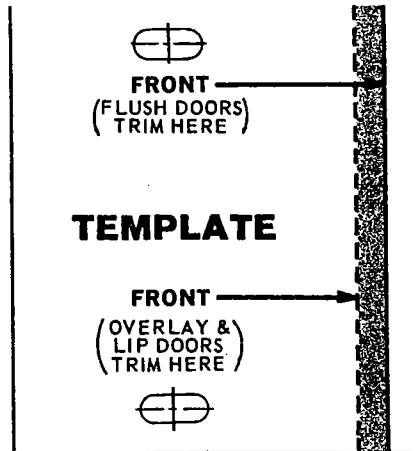
CAN BE MOUNTED VERTICALLY OR HORIZONTALLY

### TO MOUNT LATCH

1. For flush doors (Fig. 1 below), trim template to solid line indicated by arrow on template. For overlay and lip type doors (Fig. 2 and 3 below), trim template to dashed line indicated. To locate mounting screw holes, position paper template on mounting surface with trimmed edge flush with the inside surface of the door when door is in fully closed position.



2. Install "Push Latch" with latch and plunger facing door. Center the screws in the elongated holes and tighten.



Important: Install in proximity of touch area.

### TO MOUNT STRIKE

1. Apply metal template to face of latch by depressing latch and engaging #2 slot in plunger. Release latch to engage slot #1, as illustrated. Close door and press against template to mark the proper position for screw hole "B" in strike. Open door and remove template.
2. Align strike and apply screw "B" centering in the elongated hole. Apply screw "A".

### ADJUSTMENT

1. Check alignment of strike. Be sure latch is fully engaged in the strike (Fig. 4).
2. Adjust "Push Latch" for satisfactory operation.
3. Lock "Push Latch" in place with two escutcheon pins.

