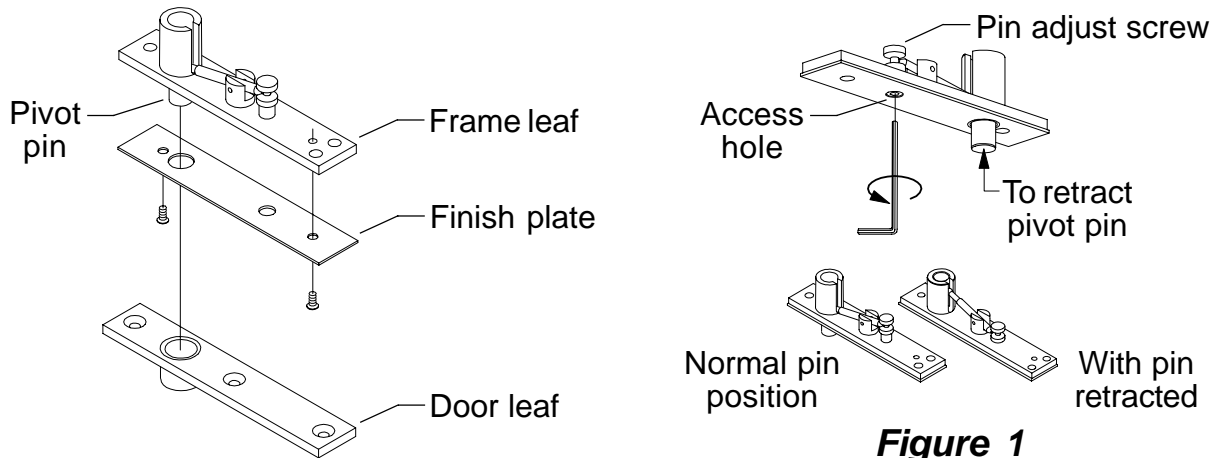




# Installation Instructions

## 7259

### Heavy Duty Top Center Pivot



**Figure 1**

1. Prepare and mortise top of door and head jamb to receive pivot set. Determine pivot location using dimensions on reverse side. Standard templating for this center pivot has the pivot point located 2-3/4" from side jamb. **The pivot point of top pivot set must be plumb with bottom pivot point.** The finish plate should be removed from frame leaf prior to installation.
2. Locate, drill, and tap 1/4-20 mounting holes for metal door or metal frame. Locate and drill pilot holes for #14 wood screws for wood door or wood frame. Install pivot leaves with 1/4-20 x 3/4" FHMS or #14 FHWS screws provided. Attach finish plate to frame leaf.
3. The pin of top pivot set should be retracted now for ease of installation. Insert 5/32" Allen wrench through access hole and into pin adjustment screw. Rotate Allen wrench counterclockwise until pivot pin is completely retracted (Figure 1).
4. Install bottom pivot set. Once bottom pivot set is installed and secured, hang the door.
5. With door in open position (about 90° to jamb), carefully fit door onto bottom pivot. Refer to bottom pivot instruction sheet. With door in vertical position, **align top pivot leaves in door and jamb.** With pivot leaves aligned, insert 5/32" Allen wrench through access hole into pin adjustment screw. Rotate Allen wrench clockwise until pin adjust screw seats and pivot pin is in normal position (Figure 1). The door should now swing freely. If it does not, double check templating dimensions.



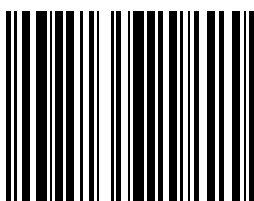
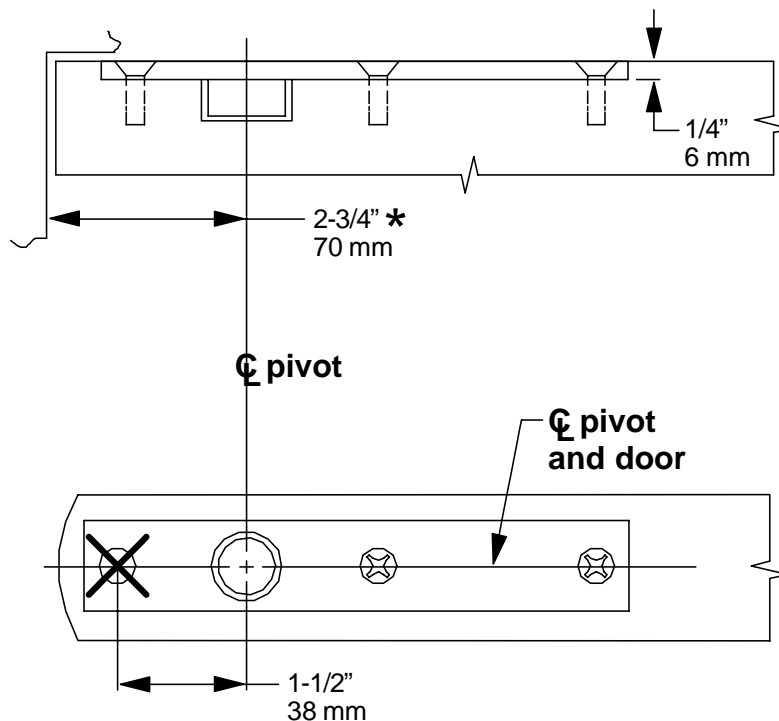
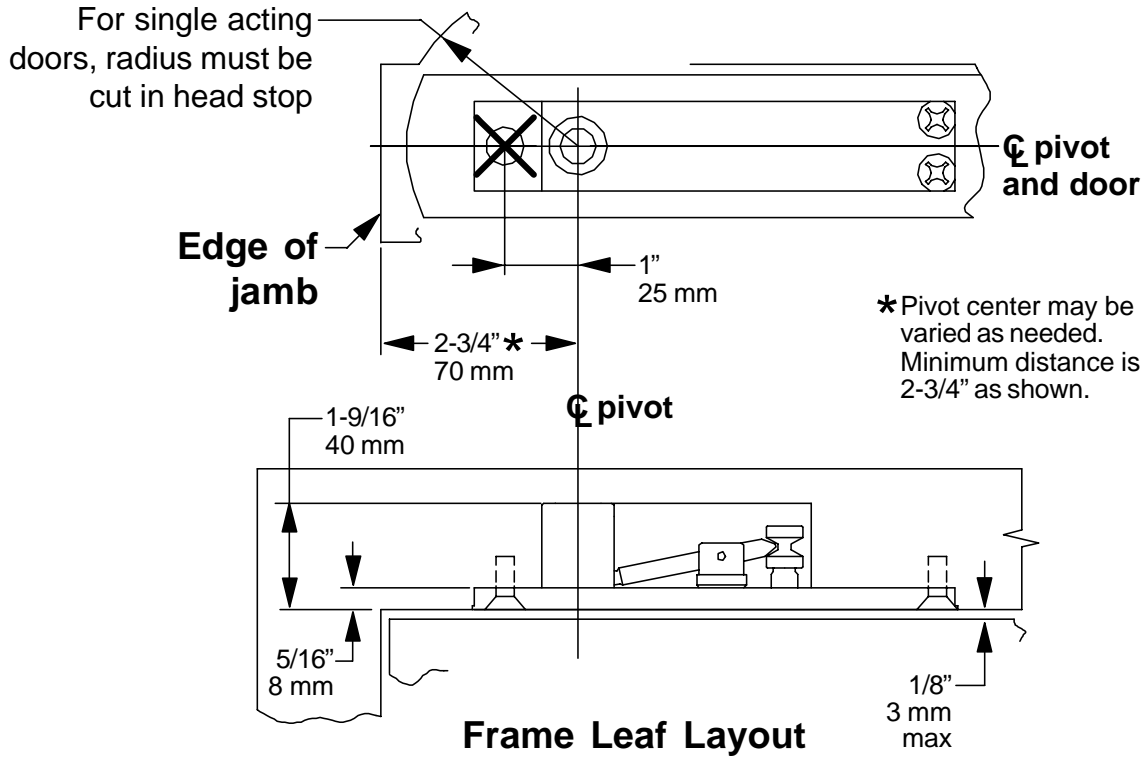
#### CAUTION

Improper pivot set installation can lead to personal injury or property damage. Follow all instructions carefully. For questions contact Technical Support at 1-888-371-7331.



# NOTE

It is very important for installer to verify that center line of top pivot point lines up with center line of bottom pivot point before final installation.



# 26676

## Door Leaf Layout

26676 Rev. 3