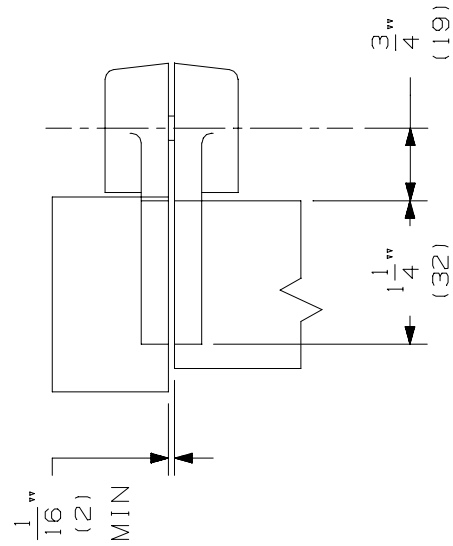
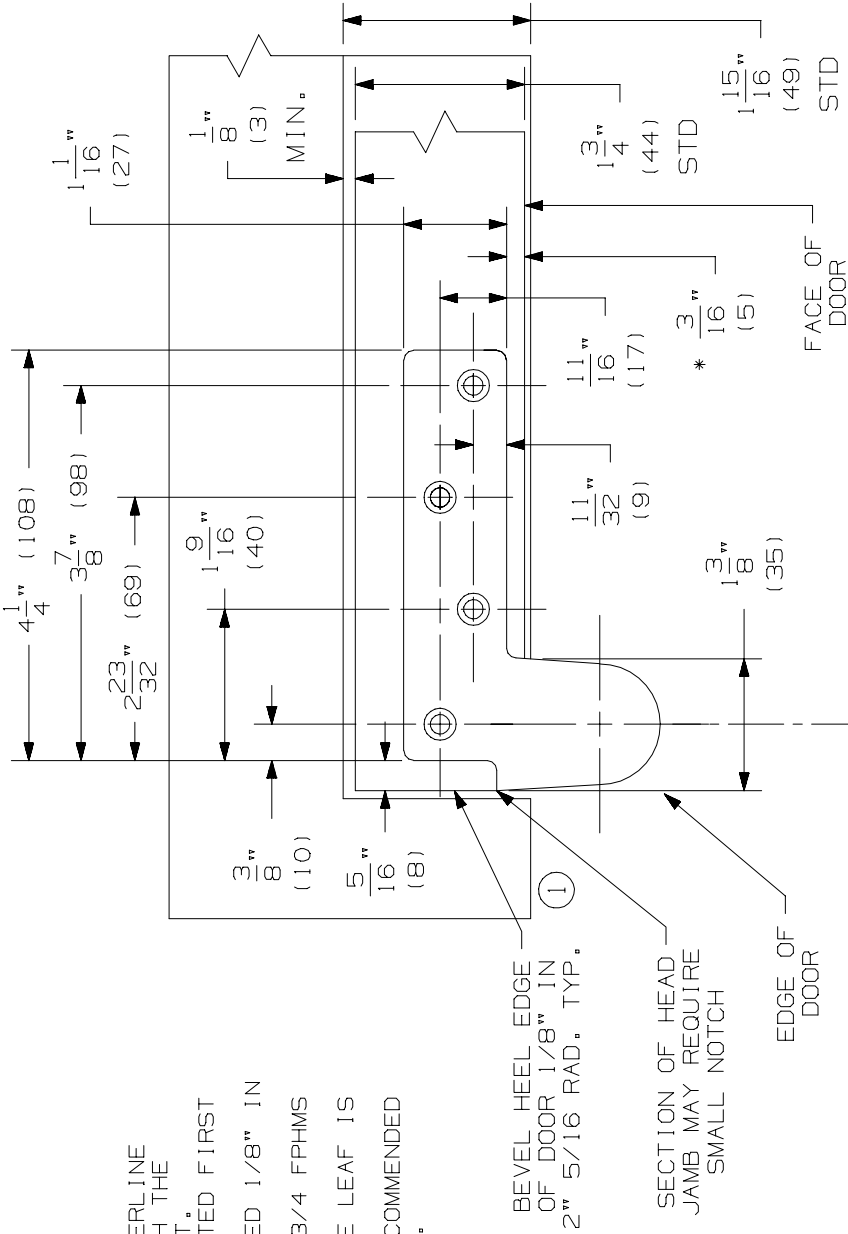


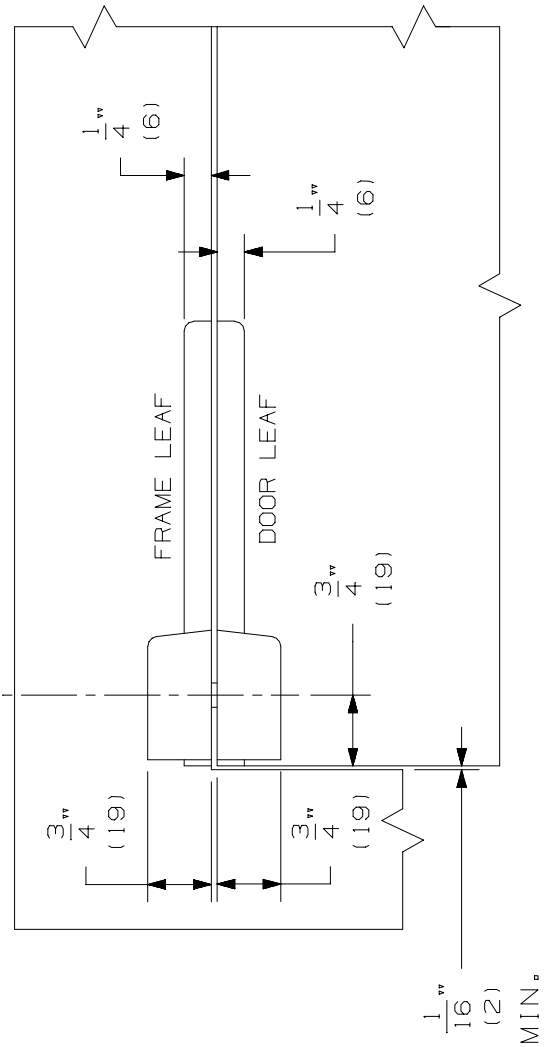
RIGHT HAND DOOR & PIVOT SHOWN.
LEFT HAND OPPOSITE

NOTES:

1. INSTALLER MUST VERIFY THAT CENTERLINE OF THE PIVOT POINT LINES UP WITH THE CENTERLINE OF BOTTOM PIVOT POINT.
2. BOTTOM PIVOT SET SHOULD BE MOUNTED FIRST IN MOST INSTALLATIONS.
3. HEEL EDGE OF DOOR MUST BE BEVELED 1/8" IN 2" AS SHOWN.
4. PIVOTS MFG. TO ACCEPT 1/4-20 X 3/4 FPHMS OR #14 X 1-1/2 FPHWS.
5. TEMPLATING FOR DOOR LEAF & FRAME LEAF IS IDENTICAL.
6. REINFORCING PER ANSI/SDI-100 RECOMMENDED FOR HOLLOW METAL DOORS & FRAMES.



* FRAME LEAF ALSO LOCATES FROM FACE OF DOOR (SEE NOTE 5).



7227 & 7227F PIVOT SET
7227 & 7227F TOP PIVOT



NOTE: DIMENSIONS IN () ARE MILLIMETERS.

TEMPLATE NUMBER: INST.7227_1.PG1

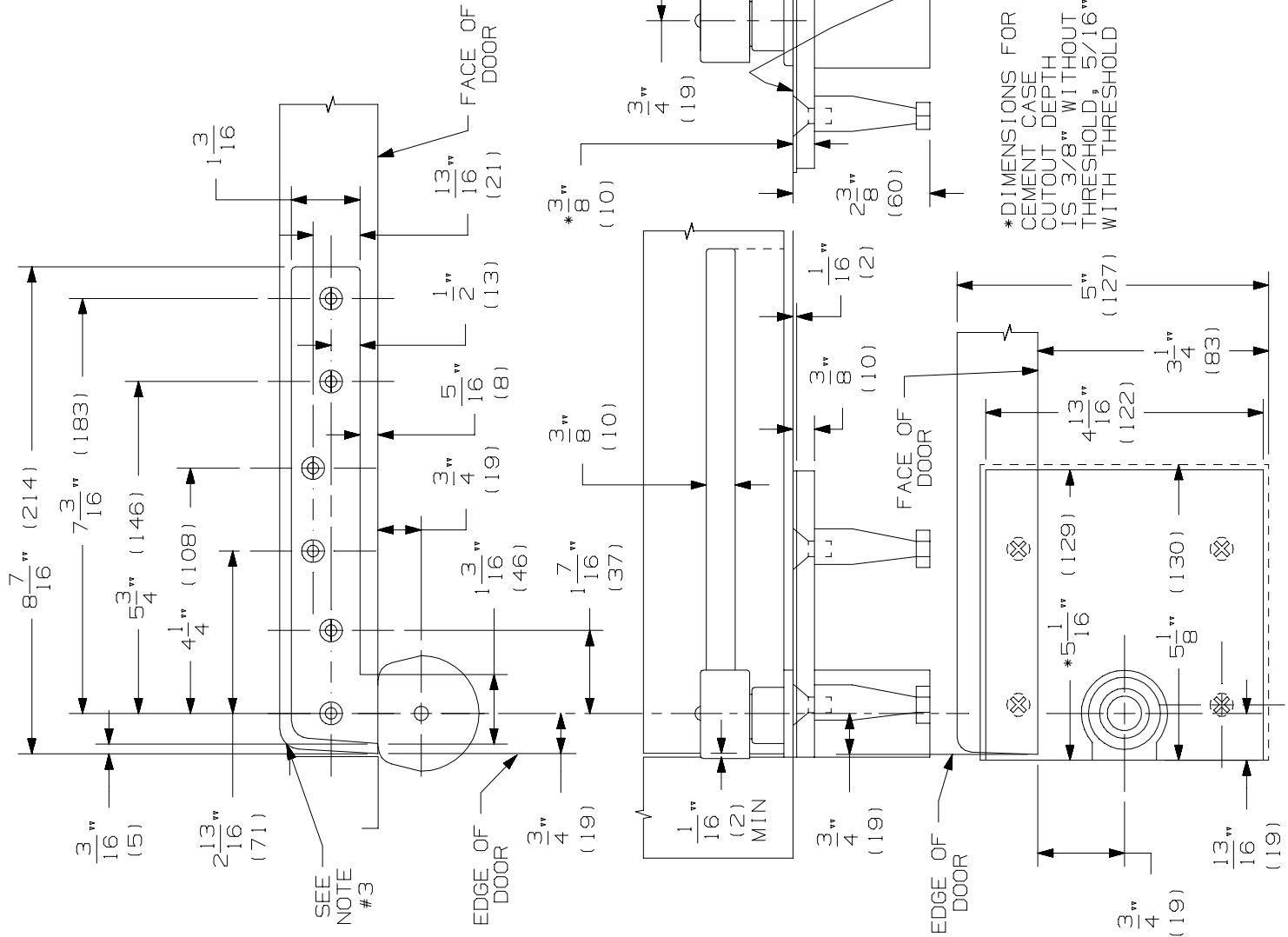
DATE: 05-24-02

MAX. DOOR WEIGHT - 700 LBS

RIGHT HAND DOOR & PIVOT SHOWN.
LEFT HAND OPPOSITE

NOTES:

1. INSTALLER MUST VERIFY THAT CENTERLINE OF THE TOP PIVOT POINT LINES UP WITH THE CENTERLINE OF THE BOTTOM PIVOT POINT.
2. BOTTOM PIVOT SET SHOULD BE MOUNTED FIRST IN MOST INSTALLATIONS.
3. HEEL EDGE OF DOOR MUST BE BEVELED 1/8" IN 2" AS SHOWN.
4. PIVOTS MFG. TO ACCEPT 1/4-20 X 3/4 FPHMS OR #14 X 1-1/2 FPHWS.
5. BOTTOM PIVOT HAS VERTICAL HEIGHT ADJUSTMENT AND WILL ACCOMMODATE 3/16" TO 3/4" DOOR CLEARANCE. DEPTH OF DOOR MORTISE DETERMINES CLEARANCE 1/2" MAX. THRESHOLD.
6. REINFORCING PER ANSI/SDJ-100 RECOMMENDED FOR HOLLOW METAL DOORS & FRAMES.



*DIMENSIONS FOR CEMENT CASE CUTOUT DEPTH IS 3/8" WITHOUT THRESHOLD, 5/16" WITH THRESHOLD

TOP SURFACE OF CEMENT CASE TO BE FLUSH WITH FINISHED FLOOR
BASE COVER PLATE TO BE FLUSH WITH FINISHED FLOOR
7/16 HEX 1/2 MAX. WIDTH CORNER TO



7227 & 7227F PIVOT SET
7227 & 7227F BOTTOM PIVOT



NOTE: DIMENSIONS IN () ARE MILLIMETERS.

TEMPLATE NUMBER: INST.7227_1.PG2

DATE: 05-24-02