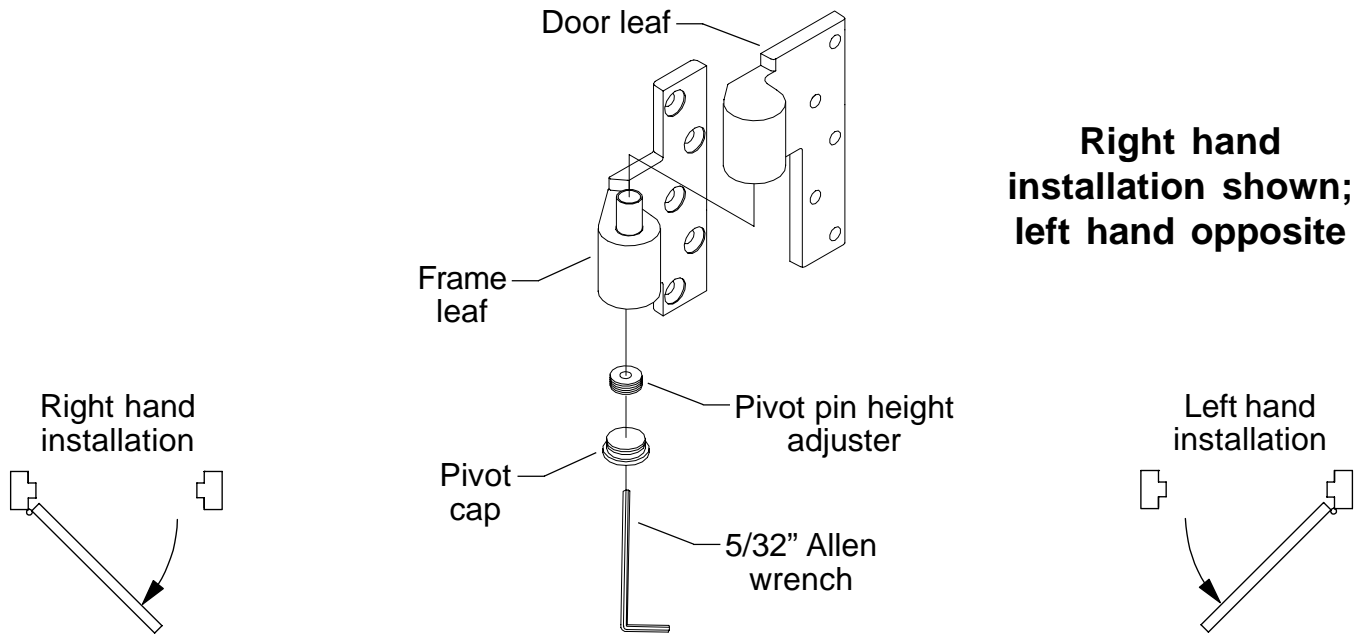




Installation Instructions

7244F and 7245F 1-1/2" Intermediate Pivot



1. Prepare and mortise hinge stile of door and hinge side jamb to receive pivot set. Determine pivot location using dimensions on reverse side. The pivots are handed and must match hand of door. To determine hand of door and proper pivot position, see diagrams above. Install top and bottom pivot sets before installing intermediate pivot.
2. Locate, drill, and tap 1/4-20 mounting holes for metal door or metal frame. Locate and drill pilot holes for #14 wood screws for wood door or wood frame. Then hang door.
3. Open door about 90°. Install pivot leaves with 1/4-20 x 3/4" FHMS or #14 FHWS screws provided.
4. The door weight should be balanced between bottom and intermediate pivots. Refer to diagram above. To adjust intermediate pivot:
 - A. Use 5/32" Allen wrench to remove pivot cap from frame leaf.
 - B. Insert Allen wrench into pivot pin height adjuster.
 - C. Turn clockwise until pivot pin makes contact with steel ball inside door leaf.
 - D. Adjust carefully to balance the weight of the door.
5. Re-install pivot cap.



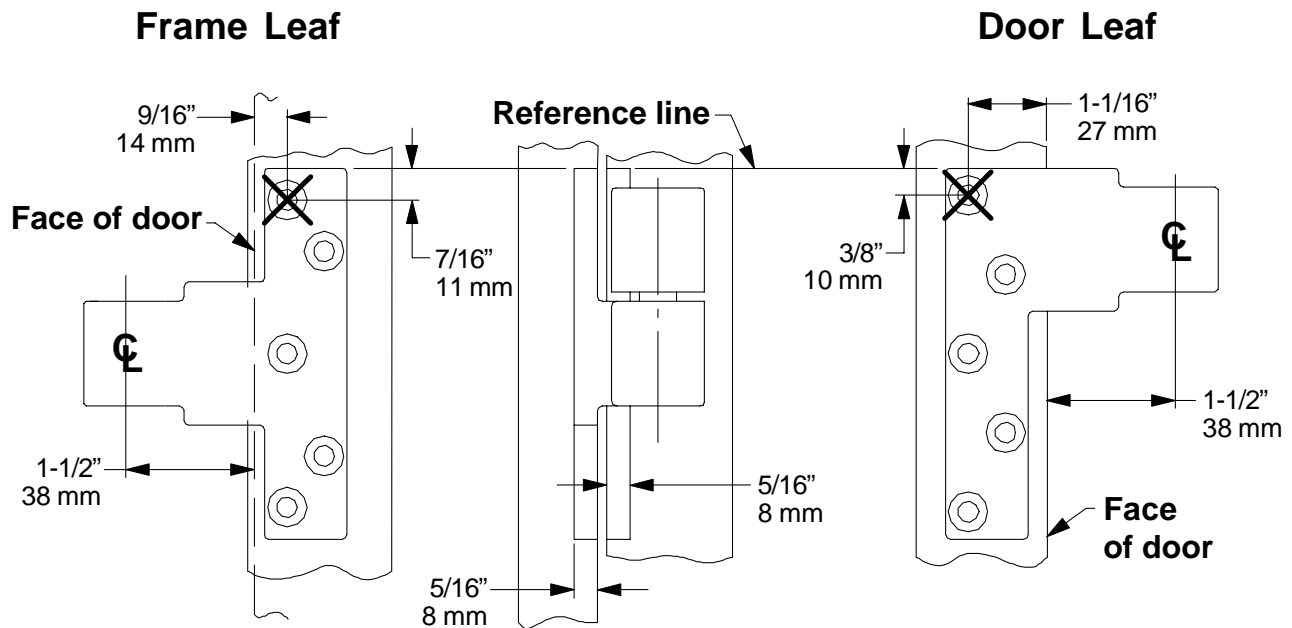
CAUTION

Improper pivot set installation can lead to personal injury or property damage. Follow all instructions carefully. For questions contact Technical Support at 1-888-371-7331.

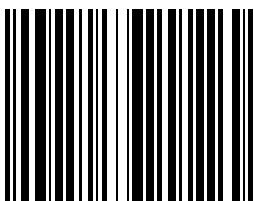


NOTE

It is very important for installer to verify that center line of intermediate pivot point lines up with center line of top and bottom pivot points before final installation. Both door and frame pivot leafs located from face of door. Intermediate pivot should be evenly spaced between top and bottom pivots. Heel edge of door must be beveled $1/8"$ in $2"$.



Right hand installation shown;
left hand opposite



26366

26366 Rev. 2