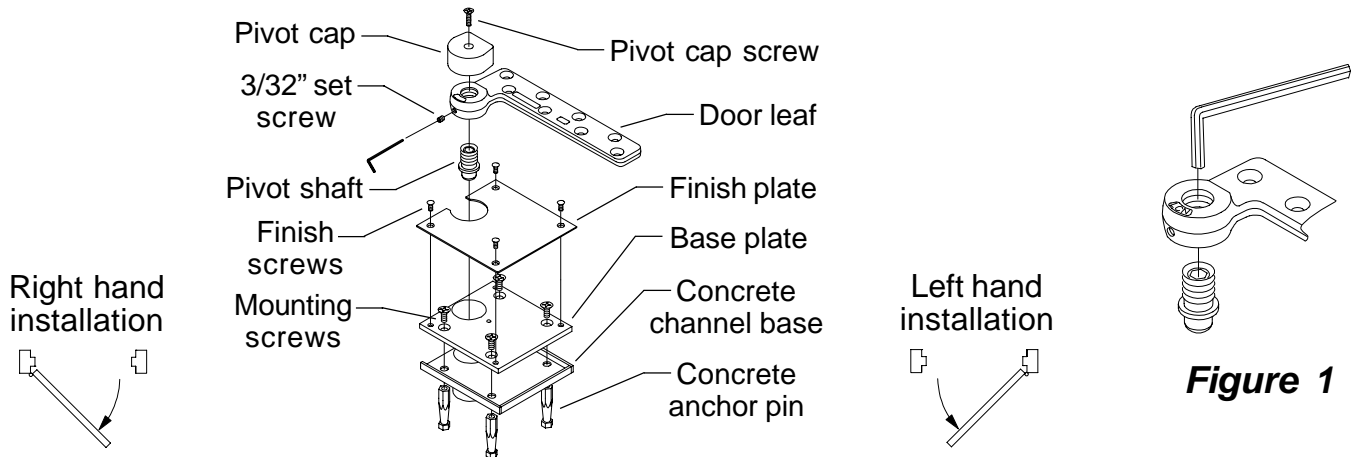




# Installation Instructions

## 7237F

### 3/4" Heavy Duty Offset Bottom Pivot



1. Prepare and mortise bottom of door and floor to receive pivot set. Determine pivot location using dimensions on reverse side. **Be sure to properly locate base plate.** The finish plate of pivot base assembly should be removed until installation is complete. Bottom pivot set is non-handed. The pivot shaft will thread into either side of door leaf. To determine hand of door, see diagrams above.
2. Prepare bottom of door: Locate, drill, and tap 1/4-20 mounting holes for metal door. Locate and drill pilot holes for #14 wood screws for wood door. Mount door leaf in bottom of door with 1/4-20 x 3/4" FHMS or #14 FHWS screws provided.
3. Locate and prepare floor cutout for pivot base. **The pivot base assembly must be located so that the center line of top pivot point is plumb with center line of base pivot point.** Secure pivot base:
  - A. Prepare compound that will be used to fill around pivot base (concrete, cement, grout, etc.).
  - B. Fill cutout with compound, leaving room for concrete channel base to fit flush with floor.
  - C. Set pivot base into cutout. Align base assembly so pivot point is in proper position.
  - D. Use a level to be sure pivot base assembly is level on all sides.
  - E. Secure in proper position until compound sets up completely. Once compound has set up, mounting screws can be removed, allowing removal or replacement of pivot base assembly.
4. Re-attach finish plate, then hang door.
5. If height adjustment is necessary for proper clearance, adjust bottom pivot as follows:
  - A. Loosen set screw using 3/32" Allen wrench provided (see diagram above).
  - B. Use 5/16" Allen wrench to adjust pivot shaft height as needed (Figure 1).
  - C. Tighten set screw firmly.
6. Fasten pivot cap as shown. Secure with cap screw.



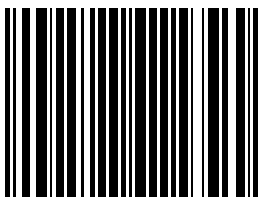
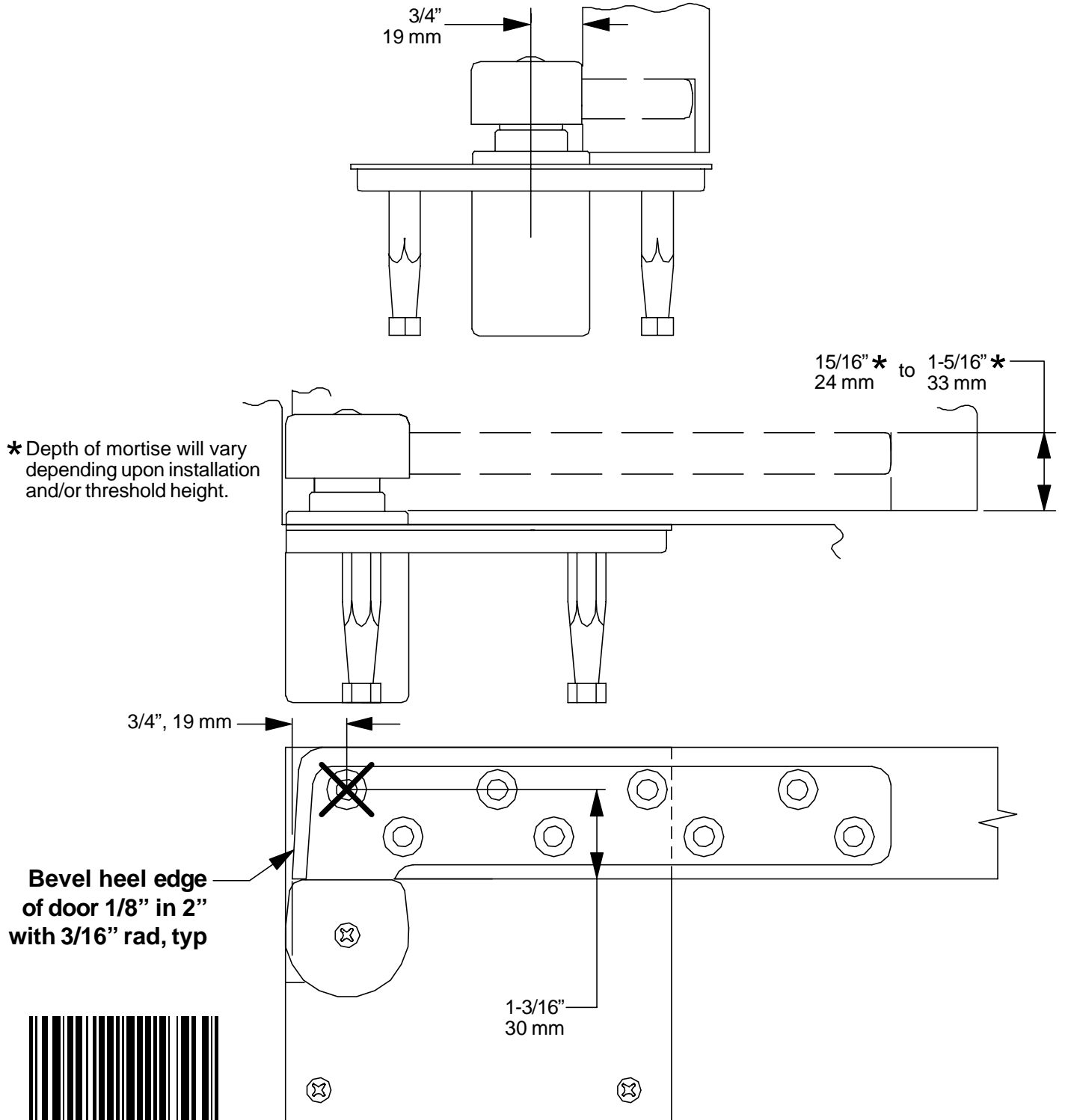
#### CAUTION

Improper pivot set installation can lead to personal injury or property damage. Follow all instructions carefully. For questions contact Technical Support at 1-888-371-7331.



## NOTE

It is very important for installer to verify that center line of top pivot point lines up with center line of bottom pivot point before final installation. Heel edge of door must be beveled  $1/8''$  in  $2''$  as shown below.



26487

Right hand installation shown;  
left hand opposite

26487 Rev. 2