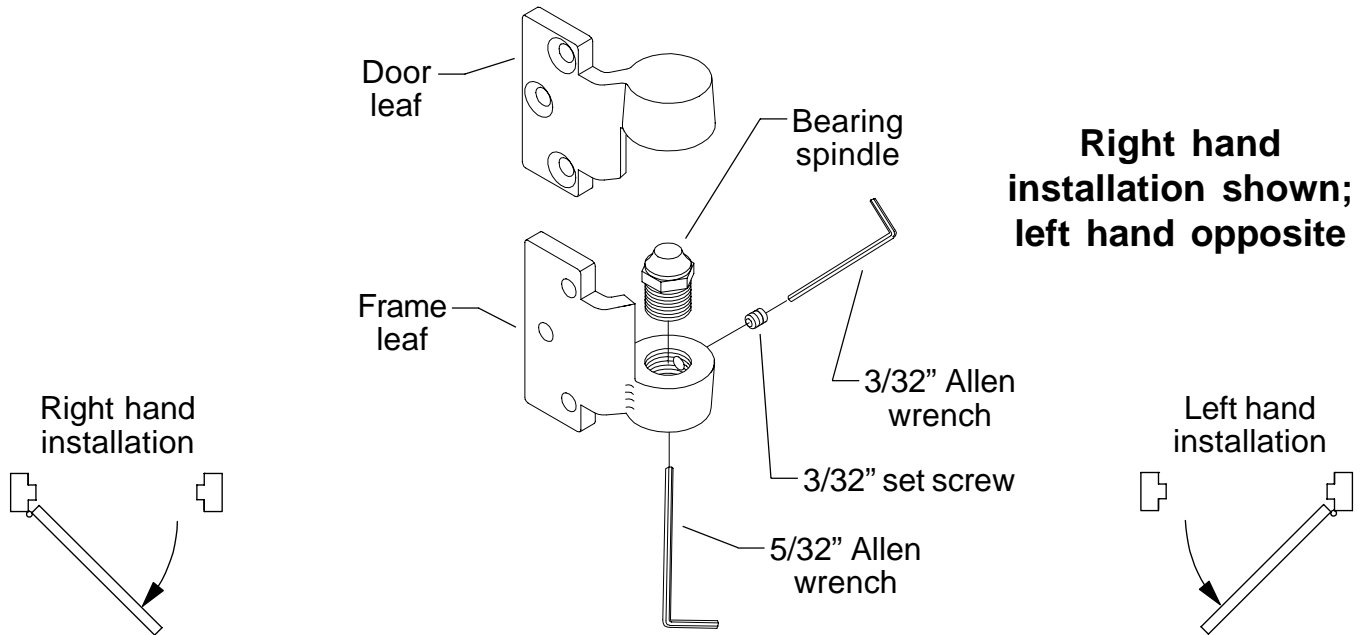




Installation Instructions

7212/12V and 7222 3/4" Offset Intermediate Pivot



1. Prepare and mortise hinge stile of door and hinge side jamb to receive pivot set. Determine pivot location using dimensions on reverse side. The pivots are handed and must match hand of door. To determine hand of door and proper pivot position, see diagrams above. Install top and bottom pivot sets before installing intermediate pivot.
2. Locate, drill, and tap 1/4-20 mounting holes for metal door. Locate and drill pilot holes for #14 wood screws for wood door. Then hang door.
3. Open door about 90°. Install pivot leafs with 1/4-20 x 3/4" FHMS or #14 FHWS screws provided.
4. The door weight should be balanced between bottom and intermediate pivots. To adjust intermediate pivot (refer to diagram above):
 - A. Loosen set screw in jamb leaf with 3/32" Allen wrench.
 - B. Insert 5/32" Allen wrench through jamb leaf pivot and into underside of bearing spindle.
 - C. Turn clockwise until door weight is balanced evenly with bottom pivot.
 - D. Tighten 3/32" set screw securely.



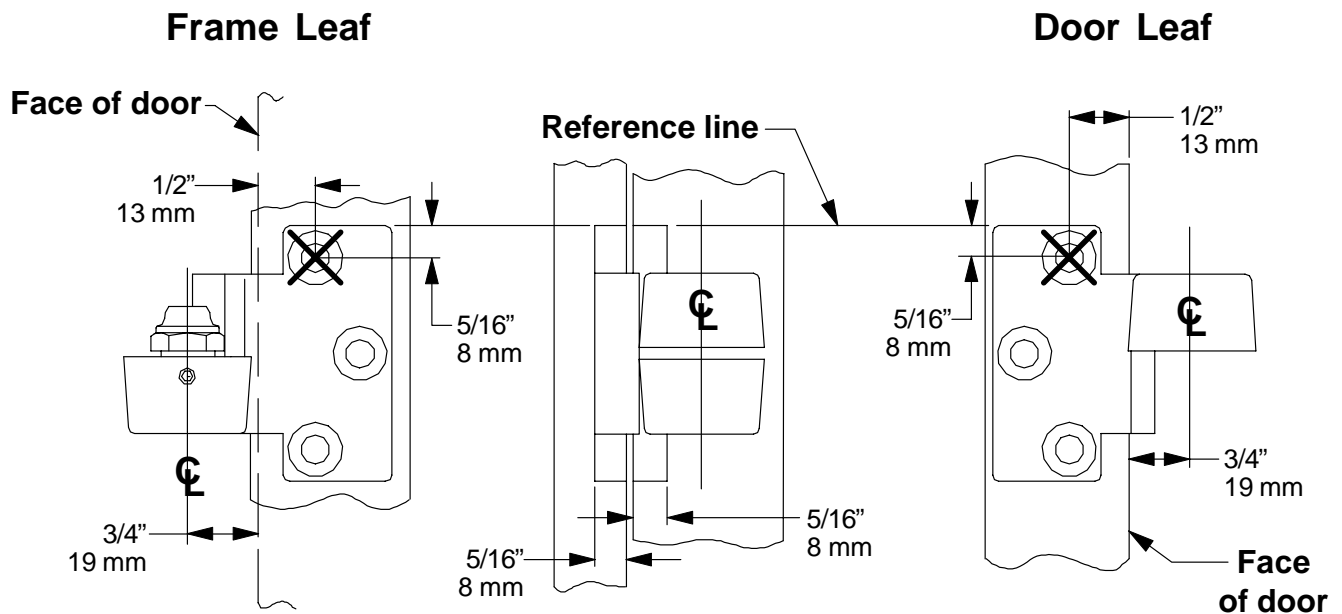
CAUTION

Improper pivot set installation can lead to personal injury or property damage. Follow all instructions carefully. For questions contact Technical Support at 1-888-371-7331.

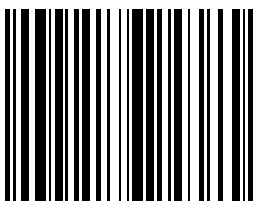


NOTE

It is very important for installer to verify that intermediate pivot point lines up with center line of top and bottom pivot points before final installation. Both door and frame pivot leaves located from face of door. Intermediate pivot should be evenly spaced between top and bottom pivots. Heel edge of door must be beveled $1/8"$ in $2"$.



**Right hand installation shown;
left hand opposite**



13103

13103 Rev. 3