

RIGHT HAND DOOR & PIVOT SHOWN.
LEFT HAND OPPOSITE

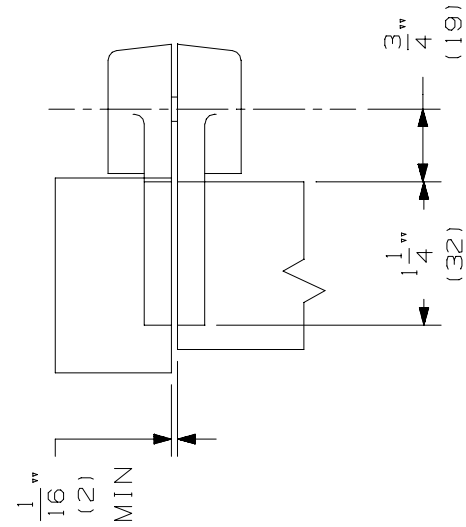
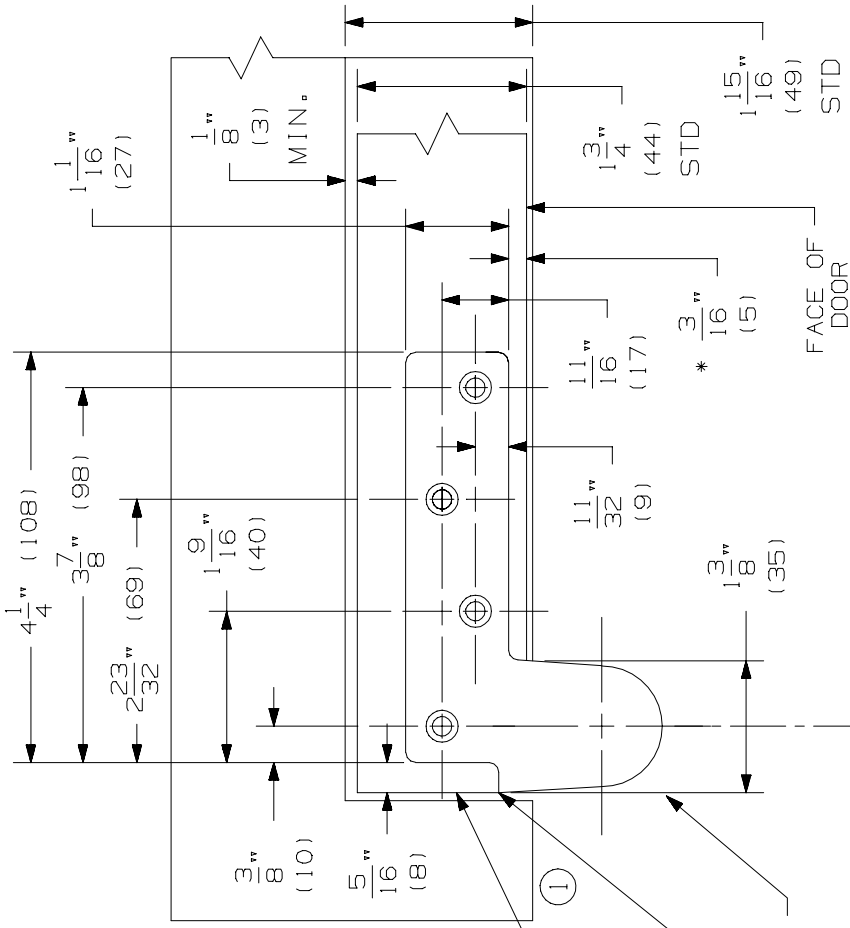
NOTES:

1. INSTALLER MUST VERIFY THAT CENTERLINE OF THE PIVOT POINT LINES UP WITH THE CENTERLINE OF BOTTOM PIVOT POINT.
2. BOTTOM PIVOT SET SHOULD BE MOUNTED FIRST IN MOST INSTALLATIONS.
3. HEEL EDGE OF DOOR MUST BE BEVELED 1/8" IN 2" AS SHOWN.
4. PIVOTS MFG. TO ACCEPT 1/4-20 X 3/4 FPHMS OR #14 X 1-1/2 FPHWS.
5. TEMPLATING FOR DOOR LEAF & FRAME LEAF IS IDENTICAL.
6. REINFORCING PER ANSI/SDJ-100 RECOMMENDED FOR HOLLOW METAL DOORS & FRAMES.

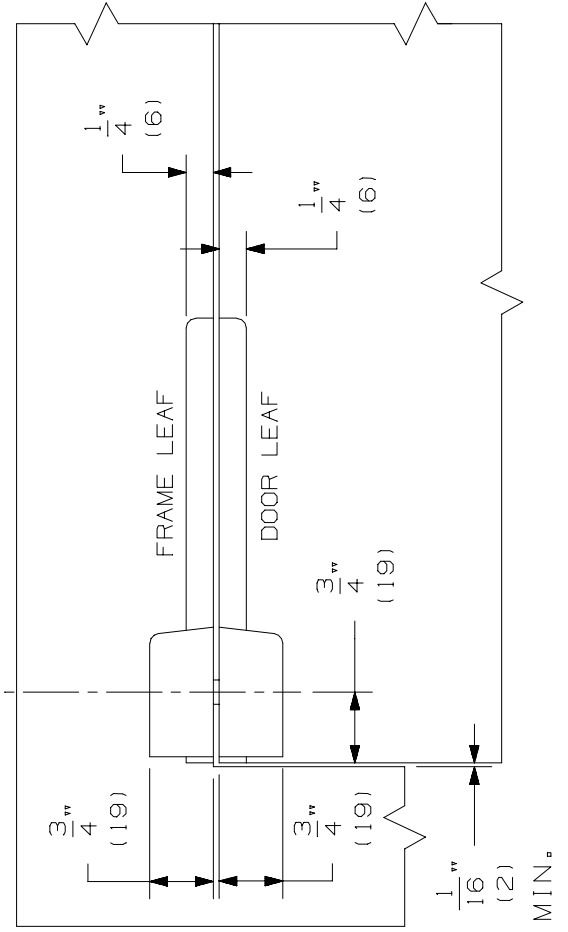
BEVEL HEEL EDGE OF DOOR 1/8" IN 2" 5/16 RAD. TYP.

SECTION OF HEAD JAMB MAY REQUIRE SMALL NOTCH

EDGE OF DOOR



* FRAME LEAF ALSO LOCATES FROM FACE OF DOOR (SEE NOTE 5).



7215 & 7215F PIVOT SET
7215 & 7215F TOP PIVOT



NOTE: DIMENSIONS IN () ARE MILLIMETERS.

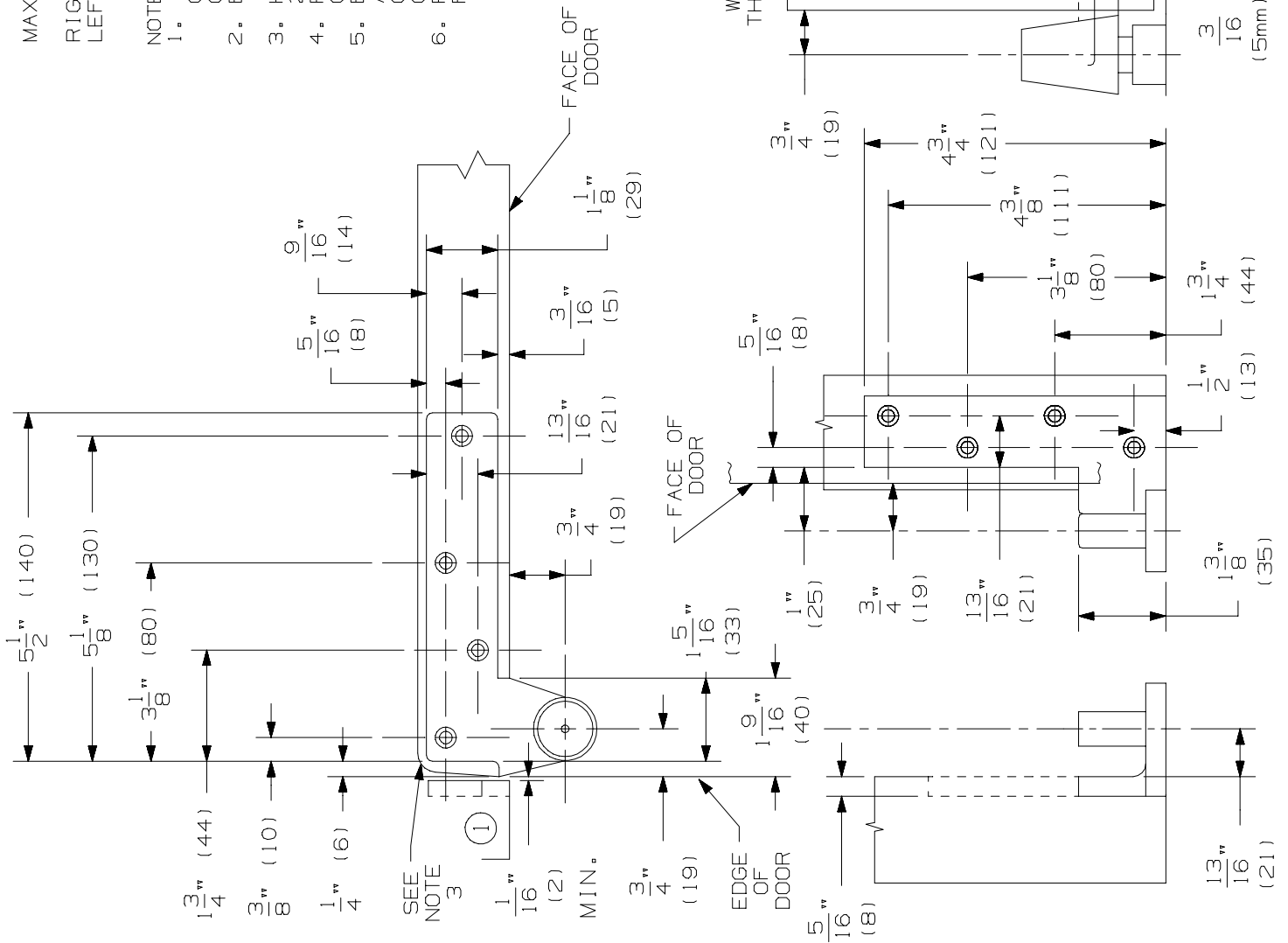
TEMPLATE NUMBER: INST.7215_1.PG1

DATE: 05-24-02

MAX. DOOR WEIGHT - 500 LBS
 RIGHT HAND DOOR & PIVOT SHOWN.
 LEFT HAND OPPOSITE

NOTES:

1. INSTALLER MUST VERIFY THAT CENTERLINE OF THE TOP PIVOT POINT LINES UP WITH THE CENTERLINE OF THE BOTTOM PIVOT POINT.
2. BOTTOM PIVOT SET SHOULD BE MOUNTED FIRST IN MOST INSTALLATIONS.
3. HEEL EDGE OF DOOR MUST BE BEVELED 1/8" IN 2" AS SHOWN.
4. PIVOTS MFG. TO ACCEPT 1/4-20 X 3/4 FPHMS OR #14 X 1-1/2 FPHMS.
5. BOTTOM PIVOT HAS VERTICAL HEIGHT ADJUSTMENT AND WILL ACCOMMODATE 3/16" TO 3/4" DOOR CLEARANCE. DEPTH OF DOOR MORTISE DETERMINES CLEARANCE. 5/8" MAX. THRESHOLD.
6. REINFORCING PER ANSI/SDI-100 RECOMMENDED FOR HOLLOW METAL DOORS & FRAMES.



7215 & 7215F PIVOT SET
 7215 & 7215F BOTTOM PIVOT



NOTE: DIMENSIONS IN () ARE IN MILLIMETERS.

TEMPLATE NUMBER: INST.7215_1.PG2

DATE: 05-24-02