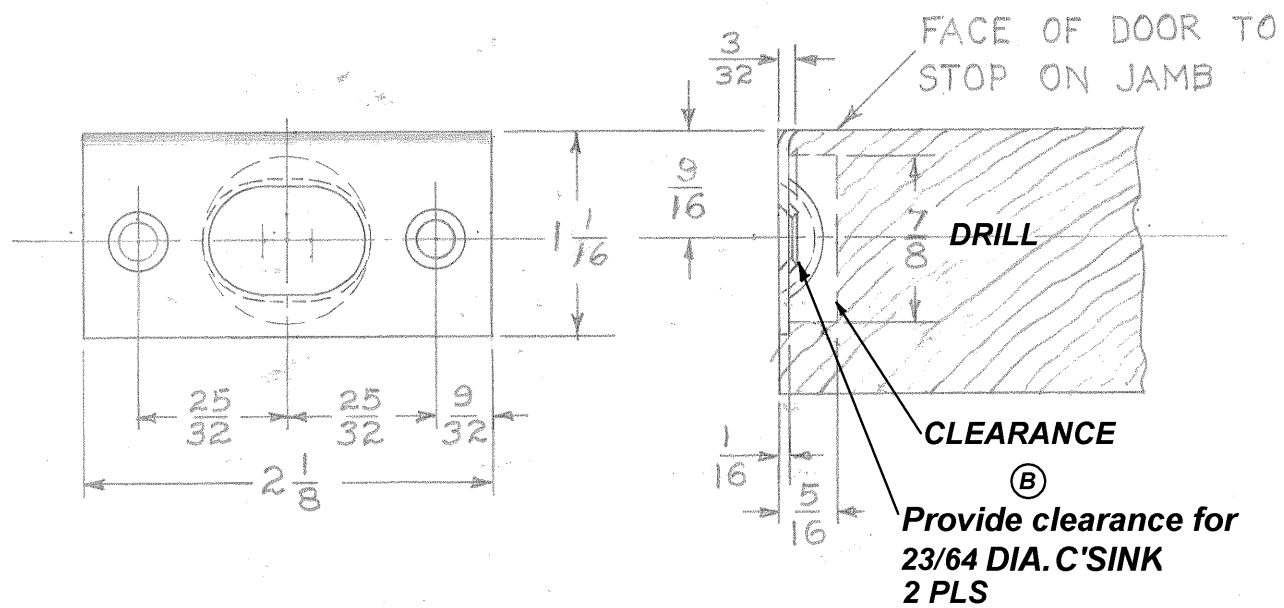
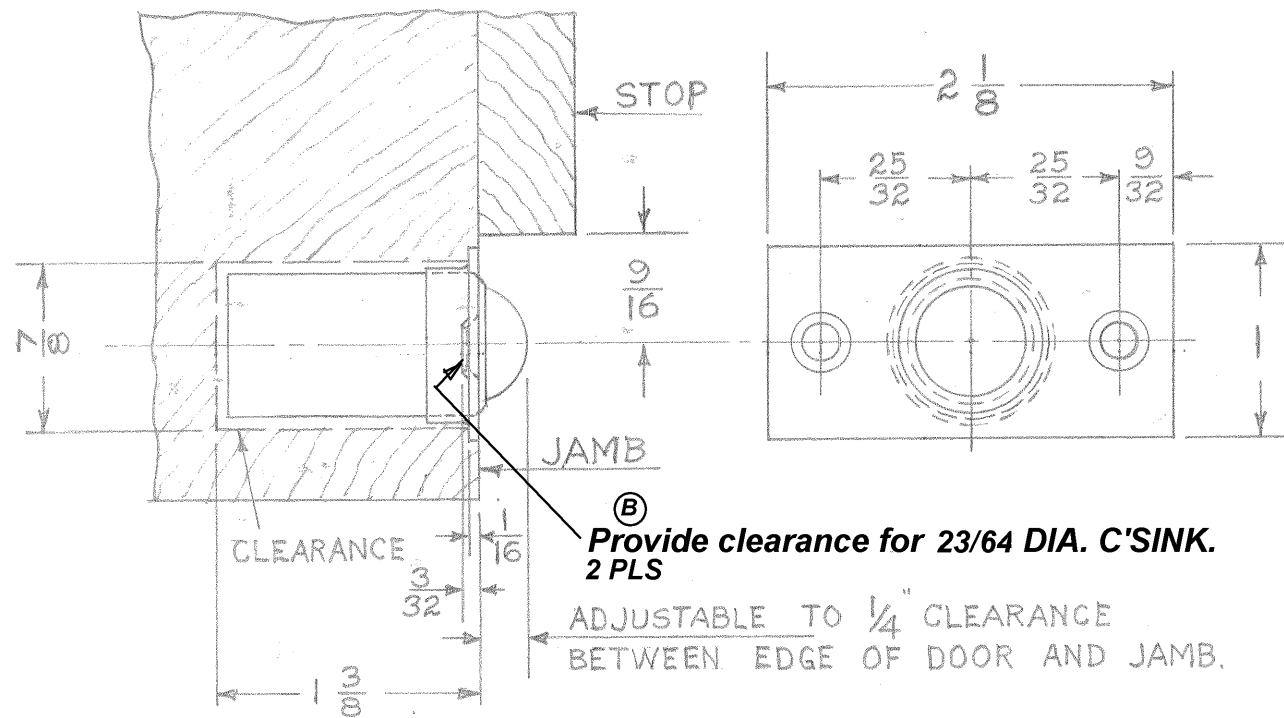
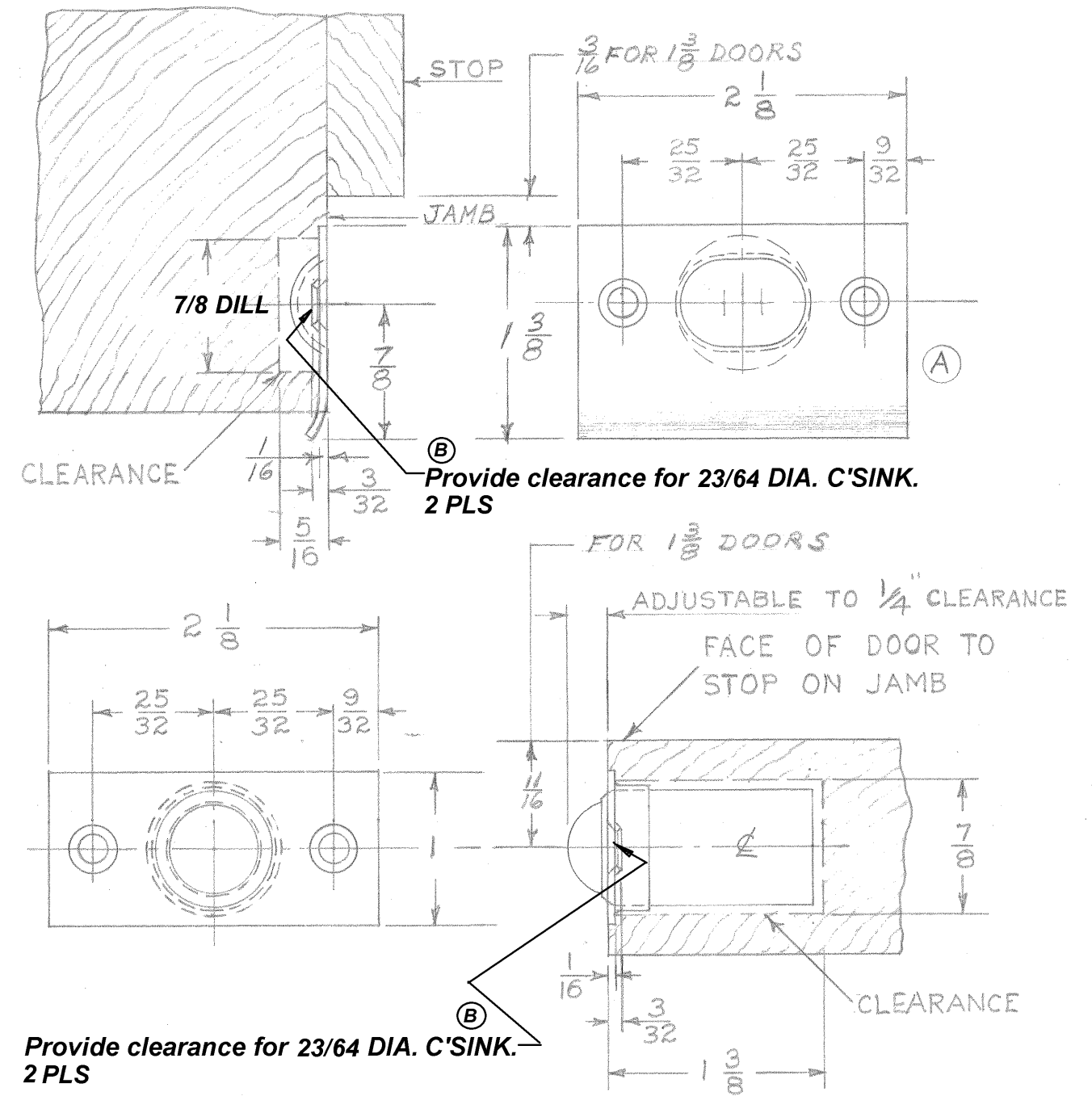


### 346 CATCH MOUNTED IN JAMB



### 347 CATCH MOUNTED IN DOOR



# 7 X 3/4 F. H. WOOD SCREWS  
# 6-32 X 3/8 F. H. MACH. SCREWS ON REQUEST

346 & 347 TEMPLATE BALL CATCH		
LETTER	CHANGE	DATE
A	347 STRIKE ADDED	12-24-69
B	ADDED NOTE "B" - ECO-03-13	4/10/03
C		
F.C.B 9-25-58 FULL SIZE		
IVES DIVISION LEIGH PRODUCTS, INC. P. O. BOX 1887, NEW HAVEN, CONN. 06508		