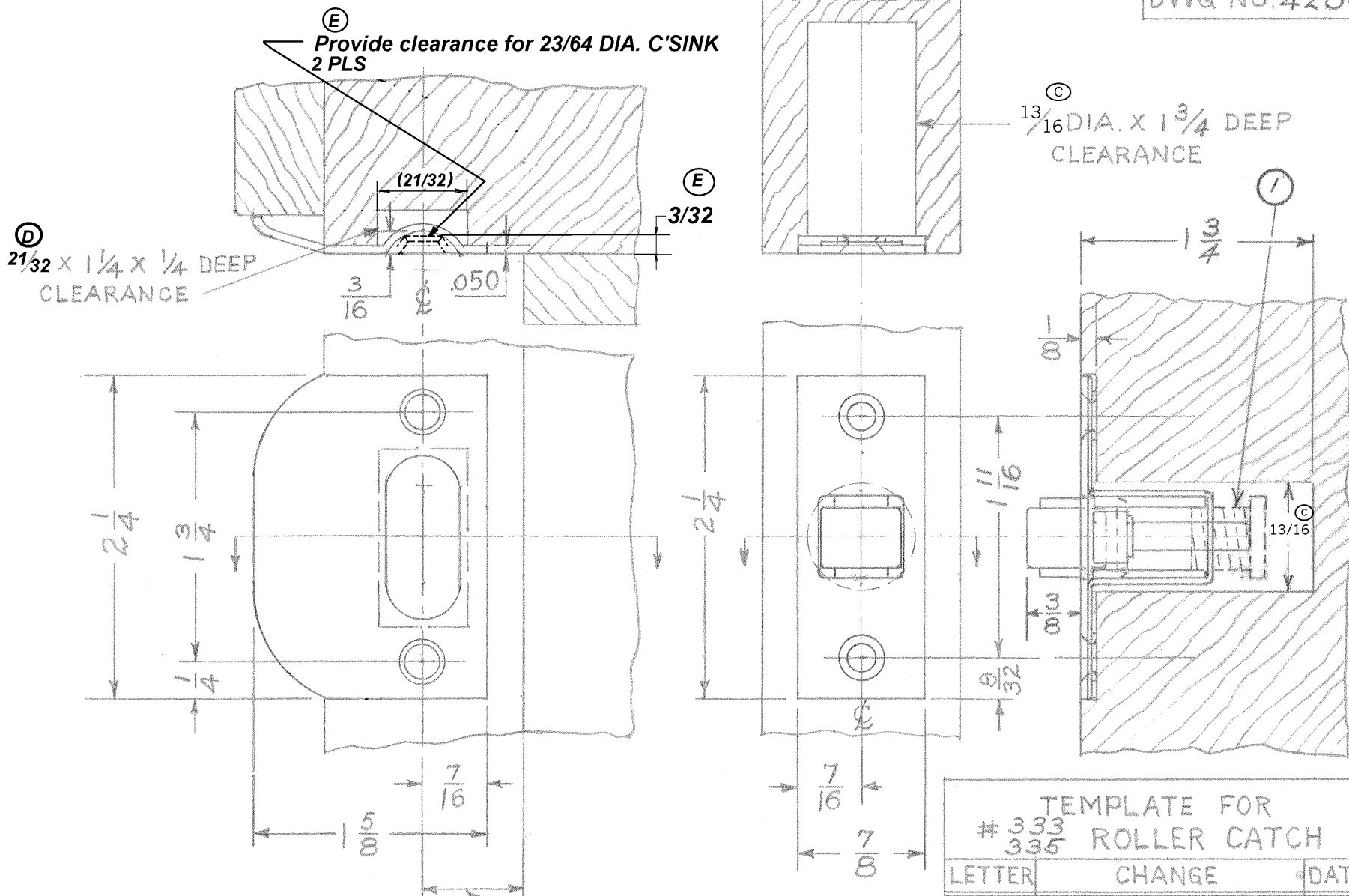


DO NOT SCALE

TEMPLATE DRAWING

DWG NO. 420-E



7 X $3/4$ " F.H. SHEET METAL SCREWS $\frac{1}{2}$ DOOR THICKNESS
 # 6-32 X $3/8$ " F.H. MACH. SCREWS AVAILABLE UPON REQUEST

① SPRING TENSION ADJUSTMENT ON 335 ONLY

TEMPLATE FOR # 333 335 ROLLER CATCH		
LETTER	CHANGE	DATE
A	SCREW TYPES UPDATED	10-3-85
B	# 6-32 X $3/8$ MS WAS # 8-32 X $1/2$ MS-ECO 96-38	9-5-86
C	13/16 WAS 3/4, ECO 01-49	5/15/02
F.C.B. 8-8-58 FULL SIZE		

E	Added note "E" & dim. 3/32-ECO-03-13	4/10/03
D	ADDED NOTE "D" -ECO-02-12	10/14/02

IVES DIVISION
LEIGH PRODUCTS, INC.
 P. O. BOX 1887, NEW HAVEN, CONN. 06508