

DESCRIPTION

Recessed 3.5" aperture directional luminaire with angle cut shielding reflector utilizing a LED array. Housing is suitable for 2x8 residential or commercial constructions, airtight and can be used in direct contact with insulation. Housing platform + primary reflector + optical element combination supports various distributions and reflector types providing design flexibility. Use where excellent light control and low aperture brightness are demanded.

Catalog #		Type
Project		
Comments		Date
Prepared By		

SPECIFICATION FEATURES

Frame

Galvanized steel plaster frame with integral bar hanger receivers. Setscrews provide positive horizontal locking. Integral gun sights facilitate the use of guide strings or laser lines. Shipped with overspray protector installed.

Housing

Steel housing painted matte black for visually dark interior. Removable access panels allow splice inspection and service of all electrical components including LED module and driver from below the ceiling thru the aperture. Removable hinged top allow top access. All fasteners are captive.

Bar Hangers

Captive preinstalled bar hangers adjust from 8-1/2" to 24" wide; pass thru feature allows shortening without removal. Captive nail penetrates standard and engineered lumber. Mounting flange levels platform with ceiling. Integral clip attached directly to tee-bar.

Universal Mounting Bracket

Accepts 1/2" EMT, C channel and bar hangers and adjusts 3" vertically from above the ceiling.

Gaskets

Closed cell gaskets achieve restrictive airflow requirements without additional caulking.

Adjustment Mechanism

Dynamic aiming rotates 365°, tilts 45° and locks in position. Angle markings assist in repeatable settings. Translating center beam optics aligns axis of primary reflector with aperture from nadir to 45°.

LED Module

Field replaceable module utilizes Cree® MT-G2 LED array and conforms to Zhaga standards for interchangeability. Proximity phosphors over chip on board LEDs provide a uniform source with high efficiency and no pixilation. Color accuracy within 2 SDCM and optional 90 CRI provides excellent color. Passive cooling achieves L70 at 40,000 hours.

Primary Optic

Borosilicate glass segmented optic with > 95% reflective multi-layer hard coating delivers a highly efficient and uniform beam. Various distributions are available and can be interchanged without tools. Elastomeric glare shield accepts theatrical color filters and diffusion films.

Media

Optional media holder accepts one or two 2 inch [50mm] diameter L series color filters or beam modifying lens. Order media holder, color filters and lens separately.

Lower Reflector

Spun 0.04" thick aluminum angle cut parabolic contour provides 50° room side cutoff and is available in a wide range of specular and semi-specular Alzak® finishes. Light trap eliminates spill light at edge of flange and reflector. Metal trim ring can be removed for painting and can be installed flush mount with optional flush mount collar accessory.

Trim Retention

Retained with two torsion springs holding the flange tightly to the finished ceiling surface and accommodates ceiling thickness from 1/2" - 1" thick. Use optional plaster lip

extender for ceilings up to 2" thick.

Junction Box

(6) 1/2" and (2) 3/4" trade size pry outs positioned to allow straight conduit runs.

Driver

Integral constant current driver provides noise free operation. Continuous, flicker-free 1% dimming, available with 2 or 3 wire phase cut and EcoSystem/DALI digital control interfaces. The DALI option is Fifth Light compatible.

Emergency Option

Provides 90 minutes of standby lighting meeting most life safety codes for egress lighting. Remote charge indicator and test switch. The maximum battery pack ambient is 50°C.

Compliance

Type IC inherently protected, suitable for direct contact with insulation and cULus listed for damp locations. Restrictive airflow per ASTM-E283. EMI/RFI emissions per FCC 47CFR Part 18 consumer limits. Contains no mercury or lead and RoHS compliant. Photometric testing in accordance with IES LM-79-08. Lumen maintenance projections in accordance with IES LM-80-08 and TM-21-11. Meets California Title 24 residential fixture program and listed on appliance database. Energy Star listed. Zhaga compliant. Meets EMI/RFI emission per FCC 47CFR Part 18 consumer limits at 120V input. Lighting Facts Labeled.

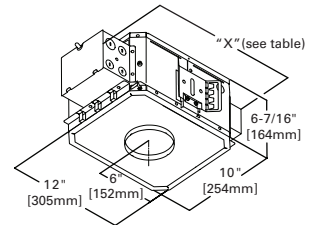
Warranty

5 year warranty.



**P3LED09
E3AA, E3AA20**

**LED Directional Angle Cut and
Shallow Angle Cut
3.5" Aperture
900 Lumen Series**



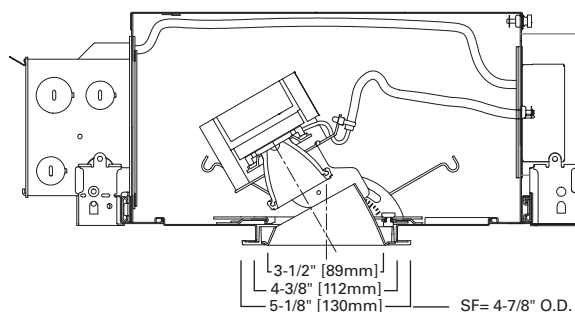
Catalog #	X-Dimension
P3LED09*E	16.4" (416mm)
P3LED09*E010	16.25" (413mm)
P3LED09*E5LT	16.25" (413mm)
P3LED09*EDMX	16.25" (413mm)
P3LED09*1ELTE	16.9" (429mm)
P3LED09*EL3D	16.9" (429mm)

E Driver Option

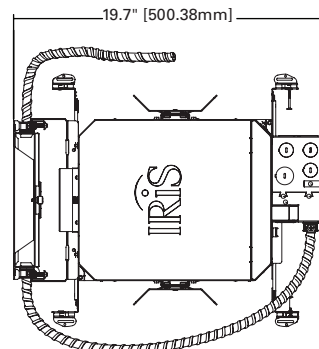
Input Voltage	120V	277V
Input Current (A)	0.12	0.06
Input Power (W)	14.3	15
Inrush Current (A)	0.17	0.43
THD: ≤ 20%		
PF: ≥ 0.90		
T Ambient: -20 to +40°C		
T Plenum: +65°C Max.		
Sound Rating: Class A		

E010 Driver Option

Input Voltage	120V	277V
Input Current (A)	0.13	0.06
Input Power (W)	14.3	15
Inrush Current (A)	0.6	1
THD: ≤ 20%		
PF: ≥ 0.90		
T Ambient: -20 to +40°C		
T Plenum: +65°C Max.		
Sound Rating: Class A		



EM OPTION



ORDERING INFORMATION

Complete luminaire consists of a housing platform and optical element. Housing platform can be ordered without primary optic. Order primary optics separately.

Example: PLED09830E RG50SP15 E3AAH

Platform	Lumens ¹	Distribution	Color	Driver	Options
P3LED					

P3LED = 3.5" Aperture IC, AT LED Housing Platform
P3LEDCP = 3.5" Aperture IC, AT LED Housing Platform, CCEA listed for City of Chicago Plenum Requirements

09 = 900 Lumens (Nominal)

[Blank] = Omit Primary Optic
NSP10 = 10° Beam
SP15 = 15° Beam
NFL25 = 25° Beam
FL40 = 40° Beam

827 = 80 CRI Minimum, 2,700 K CCT
927 = 90 CRI Minimum, 2,700 K CCT
830 = 80 CRI Minimum, 3,000 K CCT
930 = 90 CRI Minimum, 3,000 K CCT
835 = 80 CRI Minimum, 3,500 K CCT
840 = 80 CRI Minimum, 4,000 K CCT

E = 120 – 277V 50/60Hz Leading or Trailing Edge Phase Cut 1% Dimming (phase cut dimming at 120V only)
E010 = 120 – 277V 50/60Hz 0 -10V 10% Dimming
ED010 = 120 – 277V 50/60Hz 0 -10V 1% Dimming
1ELTE = 120V 60Hz Leading Edge 1% Dimming, Lutron A-Series
EDMX = 120 – 277V 50/60Hz DMX 1% Dimming
E5LT = 120 – 277V 50/60Hz DALI 1% Dimming
EL3D = 120 – 277V 50/60Hz 3-wire and EcoSystem 1% Dimming, Lutron A-Series

EM = Integral Battery Backup with Remote Test Switch and Indicator Light (Not available with 1ELTE and EL3D driver options)

Optical Element	Finishes	Options	Accessories
E3AA			

E3AA = 3.5" Aperture Open Angle Cut Reflector
E3AA20 = 3.5" Aperture Shallow Open Angle Cut Reflector

Alzak® Finishes
C = Specular Clear
H = Semi-Specular Clear
G = Gold
WMH = Warm Haze
WH = Wheat
WHH = Wheat Haze
GP = Graphite
GPH = Graphite Haze
K = Cognac
KH = Cognac Haze

CC = Chocolate
CCH = Chocolate Haze
B = Black

Painted Finishes
MW = Matte White
W = Gloss White
BB = Black Baffle
WB = White Baffle

[Blank] = Metal Trim Ring, Matte White

Not available with BB or WB
SF = Self Flanged
SFWF = Self Flanged, Matte White Flange

RG50NSP10 = 10° Beam Glass Reflector, 50mm
RG50SP15 = 15° Beam Glass Reflector, 50mm
RG50NFL25 = 25° Beam Glass Reflector, 50mm
RG50FL40 = 40° Beam Glass Reflector, 50mm
RG50MH = Media Holder for two inch [50mm] diameter L series color filters or beam modifying lens. Attaches directly to RG50 series 50mm Reflectors
FMC3 = Flush Mount Collar Accessory
PLE3 = Plaster Lip Extender for Up to 2" Thick Ceilings
ZLM03 = Replacement LED module, see specification sheet for catalog number and performance data

ENERGY DATA

P3LED E3AA/E3AA20

1ELTE Driver Option		
Input Voltage	120V	277V
Input Current (A)	0.13	
Input Power (W)	15.7	
Inrush Current (A)	1.9	
THD: ≤ 20%		
PF: ≥ 0.90		
T Ambient: -20 to +40°C		
T Plenum: +65°C Max.		
Sound Rating: Class A		

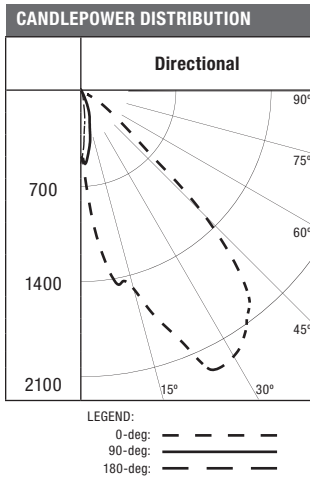
EL3D Driver Option		
Input Voltage	120V	277V
Input Current (A)	0.13	0.06
Input Power (W)	15.6	16
Inrush Current (A)	1.9	2
THD: ≤ 20%		
PF: ≥ 0.90	≥0.90	≥0.80
T Ambient: -20 to +40°C		
T Plenum: +65°C Max.		
Sound Rating: Class A		

E5LT Driver Option		
Input Voltage	120V	277V
Input Current (A)	0.12	0.06
Input Power (W)	14.3	15.2
Inrush Current (A)	1.73	1.8
THD: ≤ 20%		
PF: ≥ 0.90		
T Ambient: -20 to +40°C		
T Plenum: +65°C Max.		
Sound Rating: Class A		

EDMX Driver Option		
Input Voltage	120V	277V
Input Current (A)	0.13	0.06
Input Power (W)	15.1	16.1
Inrush Current (A)	1.82	1.89
THD: ≤ 20%		
PF: ≥ 0.90	≥0.90	≥0.0
T Ambient: -20 to +40°C		
T Plenum: +65°C Max.		
Sound Rating: Class A		

PHOTOMETRICS

P3LED E3AA/E3AA20



Test Number	P106710
Platform	P3LED09830E
Element	E3AAC RG50FL40
Lumens	994 Lm
Efficacy	69.5 Lm/W

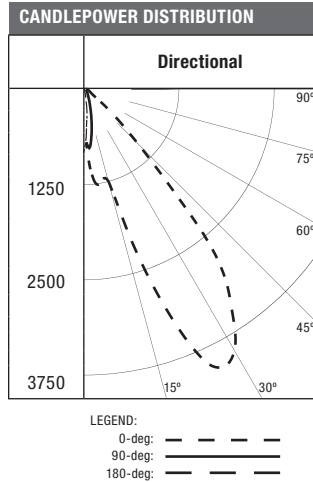
ZONAL LUMEN SUMMARY		
Zone	Lumens	%Fixture
0-30	475	51.4
0-40	744	80.5
0-60	922	99.7
0-90	924	100
90-180	0	0
0-180	924	100

30° HORIZONTAL PLANE						30° VERTICAL PLANE					
	MH	FC	L	W	CB		D	FC	L	W	CB
5.5'	21.5	5.8	4	3.2		5.5'	53.1	3.4	3.4	9.5	
7'	13.3	7.4	5	4		7'	32.8	4.3	4.4	12.1	
8'	10.2	8.5	5.8	4.6		8'	25.1	4.9	5.2	13.9	
9'	8	9.5	6.6	5.2		9'	19.8	5.6	5.8	15.6	
10'	6.5	10.6	7.2	5.8		10'	16.1	6.2	6.4	17.3	
12'	4.5	12.8	8.8	6.9		12'	11.2	7.4	7.8	20.8	

SINGLE UNIT FOOTCANDLES							
3' FROM WALL (Distance From Fixture Along Wall)							
DD	1'	2'	3'	4'	5'	6'	
1'	0	0	0	0.1	0	0	0
2'	12.2	6.6	0	0	0	0	0
3'	47.7	20.7	6.3	0.1	0	0	0
4'	49.2	35.8	9.9	2.8	0.3	0	0
5'	33.8	27.8	13.5	3.4	1.2	0.2	0
6'	22.8	19.2	11.1	4.7	1.4	0.5	0.1
7'	14.7	13.4	8.3	4.5	2	0.6	0.2
8'	9.2	9.8	6.1	3.8	2	0.8	0.2
9'	6.3	6.8	4.4	3	1.8	0.9	0.3
10'	4.4	4.5	3.4	2.3	1.5	0.9	0.4

PHOTOMETRICS

P3LED E3AA/E3AA20



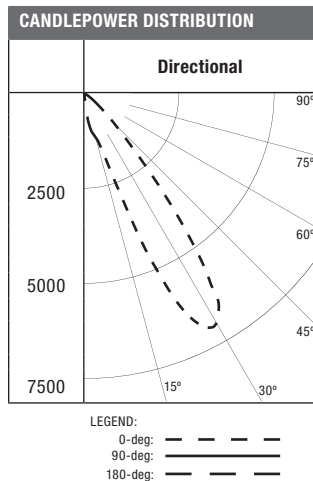
Test Number	P106626	
Platform	P3LED09830E	
Element	E3AAC RG50NF25	
Lumens	1016 Lm	
Efficacy	71.6 Lm/W	

ZONAL LUMEN SUMMARY		
Zone	Lumens	%Fixture
0-30	559	59.2
0-40	866	91.6
0-60	944	99.9
0-90	945	100
90-180	0	0
0-180	945	100

30° HORIZONTAL PLANE					
	MH	FC	L	W	CB
5.5'	27.7	7	4	3.2	
7'	17.1	8.9	5	4	
8'	13.1	10.2	5.8	4.6	
9'	10.3	11.4	6.4	5.2	
10'	8.4	12.7	7.2	5.8	
12'	5.8	15.3	8.6	6.9	

30° VERTICAL PLANE					
	D	FC	L	W	CB
5.5'	83.7	2.8	2.6	9.5	
7'	51.7	3.6	3.4	12.1	
8'	39.6	4.1	4	13.9	
9'	31.3	4.6	4.4	15.6	
10'	25.3	5.1	5	17.3	
12'	17.6	6.1	6	20.8	

SINGLE UNIT FOOTCANDLES							
3' FROM WALL (Distance From Fixture Along Wall)							
DD	●	1'	2'	3'	4'	5'	6'
1'	0.1	0	0	0	0	0	0
2'	0.3	0.3	0.1	0	0	0	0
3'	27.8	8.5	0.1	0.1	0	0	0
4'	71.3	32.4	7	0.1	0	0	0
5'	57.3	38.3	12.9	1.4	0	0	0
6'	40.2	29.7	13	3.8	0.6	0	0
7'	25.9	20.4	10.3	3.6	1.5	0.2	0
8'	15.5	13.6	7.5	3	1.5	0.5	0.1
9'	9.2	8.8	5.5	2.4	1.3	0.6	0.2
10'	5.5	5.4	4.2	1.9	1.2	0.5	0.2



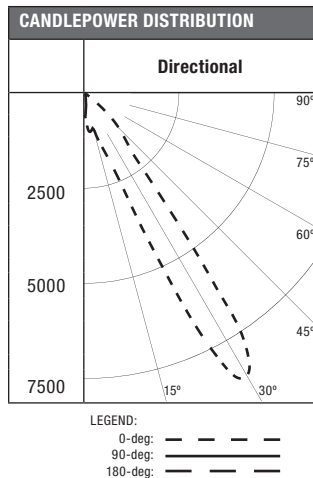
Test Number	P106806	
Platform	P3LED09830E	
Element	E3AAC RG50SP15	
Lumens	1129 Lm	
Efficacy	78.4 Lm/W	

ZONAL LUMEN SUMMARY		
Zone	Lumens	%Fixture
0-30	554	52.8
0-40	938	89.4
0-60	1037	98.8
0-90	1050	100
90-180	0	0
0-180	1050	100

30° HORIZONTAL PLANE					
	MH	FC	L	W	CB
5.5'	40.2	4.8	2.8	3.2	
7'	24.8	6.1	3.6	4	
8'	19	7	4.2	4.6	
9'	15	7.8	4.8	5.2	
10'	12.2	8.8	5.2	5.8	
12'	8.4	10.5	6.4	6.9	

30° VERTICAL PLANE					
	D	FC	L	W	CB
5.5'	154.2	2.2	1.8	9.5	
7'	95.2	2.7	2.4	12.1	
8'	72.9	3.1	2.8	13.9	
9'	57.6	3.6	3	15.6	
10'	46.6	4	3.4	17.3	
12'	32.4	4.8	4.2	20.8	

SINGLE UNIT FOOTCANDLES							
3' FROM WALL (Distance From Fixture Along Wall)							
DD	●	1'	2'	3'	4'	5'	6'
1'	1.2	0.1	0.1	0	0	0	0
2'	3.2	0.1	0.2	0.2	0.1	0	0
3'	33.3	8.8	1.1	0.1	0.1	0.1	0.1
4'	109	34.2	7.8	0.1	0	0	0.1
5'	105.1	43.3	2.2	0.9	0.1	0	0
6'	68.2	35.4	12.1	3.1	0.4	0.1	0
7'	37.8	22.1	9.9	2.9	1.2	0.1	0
8'	8.4	13	6.9	2.6	1.2	0.4	0
9'	8.9	7.9	4.8	2.1	1.1	0.5	0.1
10'	4.8	4.8	3.5	1.6	0.9	0.5	0.2



Test Number	P106854	
Platform	P3LED09830E	
Element	E3AAC RG50NSP10	
Lumens	1066 Lm	
Efficacy	74.6 Lm/W	

ZONAL LUMEN SUMMARY		
Zone	Lumens	%Fixture
0-30	518	52.2
0-40	869	87.6
0-60	982	99.1
0-90	991	100
90-180	0	0
0-180	991	100

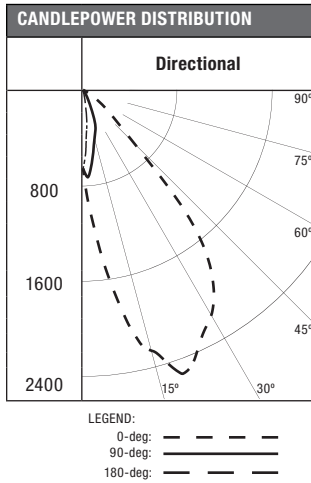
30° HORIZONTAL PLANE					
	MH	FC	L	W	CB
5.5'	41.6	4	2.2	3.2	
7'	25.7	5	2.8	4	
8'	19.7	5.8	3.2	4.6	
9'	15.5	6.5	3.6	5.2	
10'	12.6	7.2	4	5.8	
12'	8.7	8.6	4.8	6.9	

30° VERTICAL PLANE					
	D	FC	L	W	CB
5.5'	185.7	1.5	1.4	9.5	
7'	114.7	1.8	1.8	12.1	
8'	87.8	2.1	2	13.9	
9'	69.4	2.5	2.2	15.6	
10'	56.2	2.8	2.4	17.3	
12'	39	3.3	3	20.8	

SINGLE UNIT FOOTCANDLES							
3' FROM WALL (Distance From Fixture Along Wall)							
DD	●	1'	2'	3'	4'	5'	6'
1'	0.6	0.1	0.1	0.3	0.1	0.1	0
2'	0.4	0.2	0.1	0	0.1	0	0.1
3'	42.8	15.7	0.1	0	0.1	0	0
4'	84.3	30.2	9.6	0.1	0	0	0
5'	127.1	29.7	12	2.2	0	0	0
6'	73.8	22.3	10.3	4	0.9	0.1	0
7'	24.5	13.7	7.6	3.7	1.6	0.3	0.1
8'	9.6	9.3	5.5	2.9	1.6	0.6	0.1
9'	5.6	6.2	4.3	2.3	1.4	0.6	0.2
10'	3.6	4	3.4	1.8	1.2	0.6	0.2

PHOTOMETRICS

P3LED E3AA/E3AA20

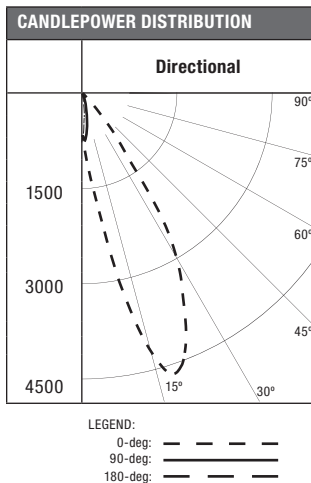


Test Number	P106002	
Platform	P3LED09830E	
Element	E3AA20C RG50FL40	
Lumens	977 Lm	
Efficacy	68.3 Lm/W	

ZONAL LUMEN SUMMARY		
Zone	Lumens	%Fixture
0-30	565	62.1
0-40	806	88.8
0-60	907	99.9
0-90	908	100
90-180	0	0
0-180	908	100

30° HORIZONTAL PLANE						30° VERTICAL PLANE					
	MH	FC	L	W	CB		D	FC	L	W	CB
	5.5'	28.7	4.8	3.6	3.2		5.5'	47.7	4	3.6	9.5
	7'	17.7	6.1	4.6	4		7'	29.5	5.1	4.6	12.1
	8'	13.6	7	5.2	4.6		8'	22.6	5.8	5.2	13.9
	9'	10.7	7.9	6	5.2		9'	17.8	6.6	6	15.6
	10'	8.7	8.7	6.6	5.8		10'	14.4	7.3	6.6	17.3
	12'	6	10.5	8	6.9		12'	10	8.8	8	20.8

SINGLE UNIT FOOTCANDLES							
3' FROM WALL (Distance From Fixture Along Wall)							
DD	●	1'	2'	3'	4'	5'	6'
1'	0	0	0	0	0	0	0
2'	5.7	0.6	0	0	0	0	0
3'	18.9	11.5	3.8	0	0	0	0
4'	41.3	27.2	6.6	1.9	0.1	0	0
5'	32.3	25.7	11.9	3	0.9	0.1	0
6'	22.8	19.3	11.2	4.3	1.3	0.4	0.1
7'	16.6	13.7	9	4.6	1.9	0.6	0.1
8'	12.2	9.9	7	4.1	2.1	0.8	0.3
9'	8.7	7.4	5.3	3.5	2	1	0.4
10'	6.2	5.7	4	2.8	1.7	1	0.5

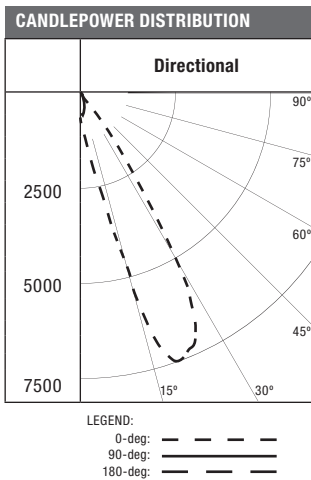


Test Number	P105990	
Platform	P3LED09830E	
Element	E3AA20C RG50NFL25	
Lumens	955 Lm	
Efficacy	66.8 Lm/W	

ZONAL LUMEN SUMMARY		
Zone	Lumens	%Fixture
0-30	656	73.8
0-40	863	97.1
0-60	888	99.9
0-90	889	100
90-180	0	0
0-180	889	100

30° HORIZONTAL PLANE						30° VERTICAL PLANE					
	MH	FC	L	W	CB		D	FC	L	W	CB
	5.5'	46.3	4.1	2.8	3.2		5.5'	74.9	3.3	2.6	9.5
	7'	28.6	5.2	3.6	4		7'	46.2	4.3	3.4	12.1
	8'	21.9	6	4	4.6		8'	35.4	4.9	4	13.9
	9'	17.3	6.8	4.6	5.2		9'	28	5.5	4.4	15.6
	10'	14	7.5	5	5.8		10'	22.7	6.2	5	17.3
	12'	9.7	8.9	6.2	6.9		12'	15.7	7.4	6	20.8

SINGLE UNIT FOOTCANDLES							
3' FROM WALL (Distance From Fixture Along Wall)							
DD	●	1'	2'	3'	4'	5'	6'
1'	0.1	0	0	0	0	0	0
2'	0.3	0.2	0	0	0	0	0
3'	6.5	0.5	0.1	0	0	0	0
4'	35.5	18.2	1.1	0.1	0	0	0
5'	47.6	28.9	8.3	0.1	0	0	0
6'	38.4	28.2	8.7	2.7	0.1	0	0
7'	29.7	22.1	8.5	3.6	1	0.1	0
8'	22.1	16.4	7.6	3.2	1.4	0.4	0
9'	16	12	6.2	2.7	1.4	0.5	0.1
10'	11.3	8.8	4.8	2.3	1.3	0.6	0.2

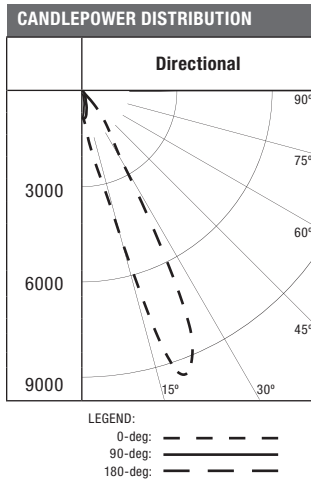


Test Number	P105978	
Platform	P3LED09830E	
Element	E3AA20C RG50SP15	
Lumens	1081 Lm	
Efficacy	75.6 Lm/W	

ZONAL LUMEN SUMMARY		
Zone	Lumens	%Fixture
0-30	765	76.1
0-40	969	96.4
0-60	997	99.2
0-90	1006	100
90-180	0	0
0-180	1006	100

30° HORIZONTAL PLANE						30° VERTICAL PLANE					
	MH	FC	L	W	CB		D	FC	L	W	CB
	5.5'	68.6	3.7	2.2	3.2		5.5'	130.2	2.5	2	9.5
	7'	42.4	4.7	3	4		7'	80.4	3.3	2.6	12.1
	8'	32.4	5.4	3.4	4.6		8'	61.5	3.8	2.8	13.9
	9'	25.6	6	3.8	5.2		9'	48.6	4.3	3.2	15.6
	10'	20.8	6.7	4.2	5.8		10'	39.4	4.7	3.6	17.3
	12'	14.4	8.1	5.2	6.9		12'	27.3	5.7	4.4	20.8

SINGLE UNIT FOOTCANDLES							
3' FROM WALL (Distance From Fixture Along Wall)							
DD	●	1'	2'	3'	4'	5'	6'
1'	0.4	0.3	0	0	0.1	0.1	0
2'	0	0	0	0	0.1	0	0
3'	5.7	2.8	0	0	0	0	0
4'	33	17.5	1.8	0.1	0	0	0
5'	66.9	27	7.6	0.8	0.1	0	0
6'	67.1	34.1	8.6	2	0.3	0.1	0
7'	49.8	31.1	8.2	3.2	0.8	0.1	0
8'	36.1	23.3	7.2	2.9	1.3	0.3	0
9'	25	16	5.9	2.7	1.3	0.5	0.1
10'	16.1	10.8	4.6	2.3	1.2	0.5	0.1



Test Number	P105966
Platform	P3LED09830E
Element	E3AA20C RG50NSP10
Lumens	1055 Lm
Efficacy	73.3 Lm/W

ZONAL LUMEN SUMMARY		
Zone	Lumens	%Fixture
0-30	780	79.5
0-40	941	95.9
0-60	968	98.7
0-90	981	100
90-180	0	0
0-180	981	100

20° HORIZONTAL PLANE					
	MH	FC	L	W	CB
5.5'	5.5'	87.3	2.7	1.8	3.2
7'	7'	53.9	3.5	2.2	4
8'	8'	41.3	4	2.6	4.6
9'	9'	32.6	4.5	2.8	5.2
10'	10'	26.4	5.1	3.2	5.8
12'	12'	18.3	6.1	3.8	6.9

20° VERTICAL PLANE					
	D	FC	L	W	CB
5.5'	5.5'	149.2	1.9	1.4	9.5
7'	7'	92.1	2.4	2	12.1
8'	8'	70.5	2.7	2.2	13.9
9'	9'	55.7	3.1	2.4	15.6
10'	10'	45.1	3.5	2.8	17.3
12'	12'	31.4	4.1	3.4	20.8

SINGLE UNIT FOOTCANDLES							
3' FROM WALL (Distance From Fixture Along Wall)							
DD	1'	2'	3'	4'	5'	6'	
1'	0	0	0.4	0.1	0	0	0
2'	1.3	0.2	0.1	0.2	0.1	0.1	0
3'	1.8	0.3	0.3	0.1	0.2	0	0.1
4'	26.4	15.3	1	0.1	0.1	0.1	0.1
5'	30.7	18.6	7.9	0	0	0	0
6'	58.5	20	8.5	2.6	0.1	0	0
7'	59.7	23.2	8	3.8	1	0	0
8'	45.1	21.1	6.6	3.5	1.7	0.4	0
9'	31.7	15.2	5.2	3	1.6	0.7	0.1
10'	19.6	9.8	4	2.6	1.5	0.8	0.2

LIGHTING FACTS

Lighting facts®
A Program of the U.S. DOE

Light Output (Lumens) **833**
Watts **14.4**
Lumens per Watt (Efficacy) **57**

Color Accuracy
Color Rendering Index (CRI) **90**

Light Color
Correlated Color Temperature (CCT) **3000 (Bright White)**

Warm White | Bright White | Daylight

2700K | 3000K | 4500K | 6500K

All results are according to IESNA LM-79-2008. Approved Method for the Electrical and Photometric Testing of Solid-State Lighting. The U.S. Department of Energy (DOE) verifies product test data and results.

Visit www.lightingfacts.com for the Label Reference Guide.

Registration Number: F4QJ-FM7HQ (8/16/2013)
Model Number: P3LED098P15930E E3AA3C [30° IH]
Type: Luminaire - Downlight

Lighting facts®
A Program of the U.S. DOE

Light Output (Lumens) **741**
Watts **14.4**
Lumens per Watt (Efficacy) **51**

Color Accuracy
Color Rendering Index (CRI) **90**

Light Color
Correlated Color Temperature (CCT) **2700 (Warm White)**

Warm White | Bright White | Daylight

2700K | 3000K | 4500K | 6500K

All results are according to IESNA LM-79-2008. Approved Method for the Electrical and Photometric Testing of Solid-State Lighting. The U.S. Department of Energy (DOE) verifies product test data and results.

Visit www.lightingfacts.com for the Label Reference Guide.

Registration Number: F4QJ-DCAKX (8/16/2013)
Model Number: P3LED098P15927E E3AA3C [30° IH]
Type: Luminaire - Downlight

Lighting facts®
A Program of the U.S. DOE

Light Output (Lumens) **799**
Watts **14.3**
Lumens per Watt (Efficacy) **55**

Color Accuracy
Color Rendering Index (CRI) **90**

Light Color
Correlated Color Temperature (CCT) **3000 (Bright White)**

Warm White | Bright White | Daylight

2700K | 3000K | 4500K | 6500K

All results are according to IESNA LM-79-2008. Approved Method for the Electrical and Photometric Testing of Solid-State Lighting. The U.S. Department of Energy (DOE) verifies product test data and results.

Visit www.lightingfacts.com for the Label Reference Guide.

Registration Number: F4QJ-TCBEV (8/16/2013)
Model Number: P3LED098P15930E E3AA3C [30° IH]
Type: Luminaire - Downlight

Lighting facts®
A Program of the U.S. DOE

Light Output (Lumens) **710**
Watts **14.3**
Lumens per Watt (Efficacy) **49**

Color Accuracy
Color Rendering Index (CRI) **90**

Light Color
Correlated Color Temperature (CCT) **2700 (Warm White)**

Warm White | Bright White | Daylight

2700K | 3000K | 4500K | 6500K

All results are according to IESNA LM-79-2008. Approved Method for the Electrical and Photometric Testing of Solid-State Lighting. The U.S. Department of Energy (DOE) verifies product test data and results.

Visit www.lightingfacts.com for the Label Reference Guide.

Registration Number: F4QJ-ZCA21 (8/15/2013)
Model Number: P3LED098P15927E E3AA3C [30° IH]
Type: Luminaire - Downlight

Lighting facts®
A Program of the U.S. DOE

Light Output (Lumens) **1106**
Watts **14.4**
Lumens per Watt (Efficacy) **76**

Color Accuracy
Color Rendering Index (CRI) **80**

Light Color
Correlated Color Temperature (CCT) **3500 (Bright White)**

Warm White | Bright White | Daylight

2700K | 3000K | 4500K | 6500K

All results are according to IESNA LM-79-2008. Approved Method for the Electrical and Photometric Testing of Solid-State Lighting. The U.S. Department of Energy (DOE) verifies product test data and results.

Visit www.lightingfacts.com for the Label Reference Guide.

Registration Number: F4QJ-3FY7HP (8/16/2013)
Model Number: P3LED098P15835E E3AA3C [30° IH]
Type: Luminaire - Downlight

Lighting facts®
A Program of the U.S. DOE

Light Output (Lumens) **1215**
Watts **14.4**
Lumens per Watt (Efficacy) **84**

Color Accuracy
Color Rendering Index (CRI) **80**

Light Color
Correlated Color Temperature (CCT) **4000 (Bright White)**

Warm White | Bright White | Daylight

2700K | 3000K | 4500K | 6500K

All results are according to IESNA LM-79-2008. Approved Method for the Electrical and Photometric Testing of Solid-State Lighting. The U.S. Department of Energy (DOE) verifies product test data and results.

Visit www.lightingfacts.com for the Label Reference Guide.

Registration Number: F4QJ-148Q7Y (8/16/2013)
Model Number: P3LED098P15840E E3AA3C [30° IH]
Type: Luminaire - Downlight

Lighting facts®
A Program of the U.S. DOE

Light Output (Lumens) **1164**
Watts **14.3**
Lumens per Watt (Efficacy) **81**

Color Accuracy
Color Rendering Index (CRI) **80**

Light Color
Correlated Color Temperature (CCT) **4000 (Bright White)**

Warm White | Bright White | Daylight

2700K | 3000K | 4500K | 6500K

All results are according to IESNA LM-79-2008. Approved Method for the Electrical and Photometric Testing of Solid-State Lighting. The U.S. Department of Energy (DOE) verifies product test data and results.

Visit www.lightingfacts.com for the Label Reference Guide.

Registration Number: F4QJ-4YDYP (8/16/2013)
Model Number: P3LED098P15840E E3AA3C [30° IH]
Type: Luminaire - Downlight

Lighting facts®
A Program of the U.S. DOE

Light Output (Lumens) **1060**
Watts **14.3**
Lumens per Watt (Efficacy) **74**

Color Accuracy
Color Rendering Index (CRI) **80**

Light Color
Correlated Color Temperature (CCT) **3500 (Bright White)**

Warm White | Bright White | Daylight

2700K | 3000K | 4500K | 6500K

All results are according to IESNA LM-79-2008. Approved Method for the Electrical and Photometric Testing of Solid-State Lighting. The U.S. Department of Energy (DOE) verifies product test data and results.

Visit www.lightingfacts.com for the Label Reference Guide.

Registration Number: F4QJ-PGHZ7 (8/16/2013)
Model Number: P3LED098P15835E E3AA3C [30° IH]
Type: Luminaire - Downlight

Lighting facts®
A Program of the U.S. DOE

Light Output (Lumens) **1050**
Watts **14.4**
Lumens per Watt (Efficacy) **72**

Color Accuracy
Color Rendering Index (CRI) **80**

Light Color
Correlated Color Temperature (CCT) **3000 (Bright White)**

Warm White | Bright White | Daylight

2700K | 3000K | 4500K | 6500K

All results are according to IESNA LM-79-2008. Approved Method for the Electrical and Photometric Testing of Solid-State Lighting. The U.S. Department of Energy (DOE) verifies product test data and results.

Visit www.lightingfacts.com for the Label Reference Guide.

Registration Number: F4QJ-685M1 (8/16/2013)
Model Number: P3LED098P15930E E3AA3C [30° IH]
Type: Luminaire - Downlight

Lighting facts®
A Program of the U.S. DOE

Light Output (Lumens) **990**
Watts **14.5**
Lumens per Watt (Efficacy) **68**

Color Accuracy
Color Rendering Index (CRI) **80**

Light Color
Correlated Color Temperature (CCT) **2700 (Warm White)**

Warm White | Bright White | Daylight

2700K | 3000K | 4500K | 6500K

All results are according to IESNA LM-79-2008. Approved Method for the Electrical and Photometric Testing of Solid-State Lighting. The U.S. Department of Energy (DOE) verifies product test data and results.

Visit www.lightingfacts.com for the Label Reference Guide.

Registration Number: F4QJ-5E9M1T (8/16/2013)
Model Number: P3LED098P15927E E3AA3C [30° IH]
Type: Luminaire - Downlight

Lighting facts®
A Program of the U.S. DOE

Light Output (Lumens) **1006**
Watts **14.3**
Lumens per Watt (Efficacy) **70**

Color Accuracy
Color Rendering Index (CRI) **80**

Light Color
Correlated Color Temperature (CCT) **3000 (Bright White)**

Warm White | Bright White | Daylight

2700K | 3000K | 4500K | 6500K

All results are according to IESNA LM-79-2008. Approved Method for the Electrical and Photometric Testing of Solid-State Lighting. The U.S. Department of Energy (DOE) verifies product test data and results.

Visit www.lightingfacts.com for the Label Reference Guide.

Registration Number: F4QJ-EE5FA (8/16/2013)
Model Number: P3LED098P15930E E3AA3C [30° IH]
Type: Luminaire - Downlight

Lighting facts®
A Program of the U.S. DOE

Light Output (Lumens) **948**
Watts **14.3**
Lumens per Watt (Efficacy) **66**

Color Accuracy
Color Rendering Index (CRI) **80**

Light Color
Correlated Color Temperature (CCT) **2700 (Warm White)**

Warm White | Bright White | Daylight

2700K | 3000K | 4500K | 6500K

All results are according to IESNA LM-79-2008. Approved Method for the Electrical and Photometric Testing of Solid-State Lighting. The U.S. Department of Energy (DOE) verifies product test data and results.

Visit www.lightingfacts.com for the Label Reference Guide.

Registration Number: F4QJ-3L7X1T (8/16/2013)
Model Number: P3LED098P15927E E3AA3C [30° IH]
Type: Luminaire - Downlight