



## DISPOSER CONTROL CENTER Installation Manual

### Model MRS



#### **⚠ DANGER**

The *Danger* signal indicates an immediately hazardous situation which, if not avoided, **will** result in death or serious injury.

#### **⚠ WARNING**

The *Warning* signal alerts you to potential hazards or unsafe practices which, if not avoided, **could** result in severe personal injury or death.

#### **⚠ CAUTION**

The *Caution* signal alerts you to hazards of unsafe practices which, if not avoided, **may** result in minor personal injury or property damage.

Please be certain that the person who installs or uses this appliance carefully reads and understands the Safety Instructions contained in this manual.

## Table of Contents

---

<b>Introduction/Features</b>	
Introduction .....	3
Features .....	3
Mounting the Control Center .....	3
<b>Plumbing Connections</b> .....	4
<b>Electrical Connections</b>	
Electrical Connections .....	5
Time Delay Relay.....	5
<b>Operating Instructions/Troubleshooting</b>	
Operating Instructions .....	6
Troubleshooting .....	6
<b>Wiring Diagrams</b>	
Model No. MRS-6 (120V, 1 phase, 1/2-2 HP) .....	7
Model No. MRS-7 (208-230V, 1 phase, 1/2-2 HP) .....	8
Model No. MRS-8 (208-230V, 3 phase, 1/2-3 HP) .....	9
Model No. MRS-9 (380/460V, 3 phase, 1/2-7.5 HP) .....	10

## Warranty

---

### FOODSERVICE DISPOSER CONTROL CENTER LIMITED WARRANTY

InSinkErator Foodservice Disposer Control Centers are warranted against defects in material and workmanship for one year from the date of installation. The warranty includes parts and labor, provided the service is performed by an InSinkErator Factory Authorized Service Center. This warranty does not apply if failure is due to: *faulty or improper electrical installation, faulty or improper plumbing installation, product abuse or misuse, or accidental damage.*

InSinkErator Foodservice disposer accessories are included in this warranty only if they are included in the original disposer purchase package.

## Features/Mounting the Control Center

### INTRODUCTION

The MRS Control Center is UL® and CUL® approved for use with InSinkErator Foodservice Disposers. See Table 1 for approved disposer and control center combinations. The control center operates the disposer. Its main functions are:

- To start and stop the disposer.
- To reverse the direction of the disposer motor.
- To start the water flow to the disposer.

Model	Waste Disposer Model
MRS-6 MRS-7	SS50-26, SS75-27, SS100-28, SS125-25, SS150-34, SS150-38, SS200-27, SS200-31
MRS-8	SS50-27, SS75-28, SS100-29, SS125-26, SS150-36, SS150-39, SS200-29, SS200-32, SS300-25, SS300-27
MRS-9	SS50-27, SS75-28, SS100-29, SS125-26, SS150-36, SS150-39, SS200-29, SS200-32, SS300-25, SS300-27, SS500-28, SS500-30, SS750-13, SS750-15

Table 1. Approved Disposer and Control Center Combinations

Model	Part No.	Voltage	Phase	HP
MRS-6	14368	120V	1	1/2-2
MRS-7	14368A	208-230V	1	1/2-2
MRS-8	14368B	208-230V	3	1/2-3
MRS-9	14368C	380/460V	3	1/2-7.5

Table 2. Electrical Specifications

### FEATURES

#### MANUAL REVERSE

The disposer motor direction is controlled by a push button switch.

#### ENCLOSURE

NEMA 4 construction.

#### PUSH BUTTON OPERATION

### MOUNTING THE CONTROL CENTER

Use the flanges at the back of the control center enclosure and only mount panel in the upright vertical position (door hinge is on the left). See Figure 1.

Locate control center within sight of disposer per local codes. Locate any remote control station within sight of disposer per local codes.

If box is mounted to the sink table, recess the box so that the buttons do not extend beyond the table's edge.

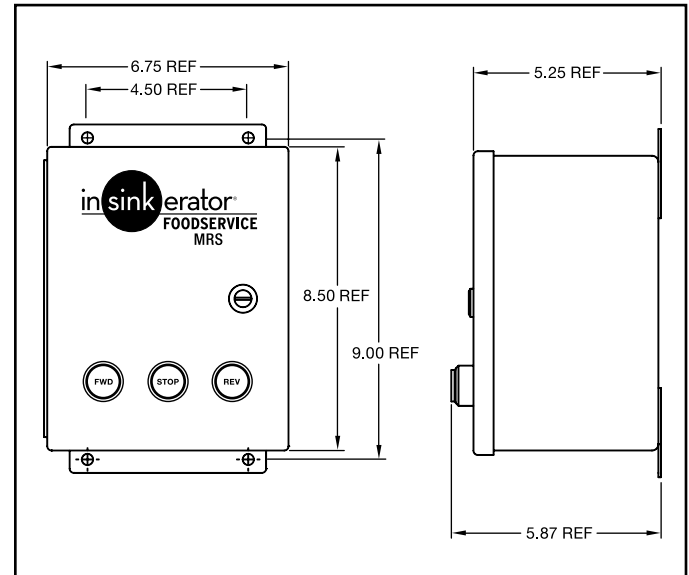


Figure 1. Control Center Dimensions

### ⚠ CAUTION

#### PROPERTY DAMAGE

Use of more than two solenoid valves will affect the overall function of the MRS control center. Extra solenoid valves will cause a reduction in voltage and solenoid actuation will not occur.

## Plumbing Connections

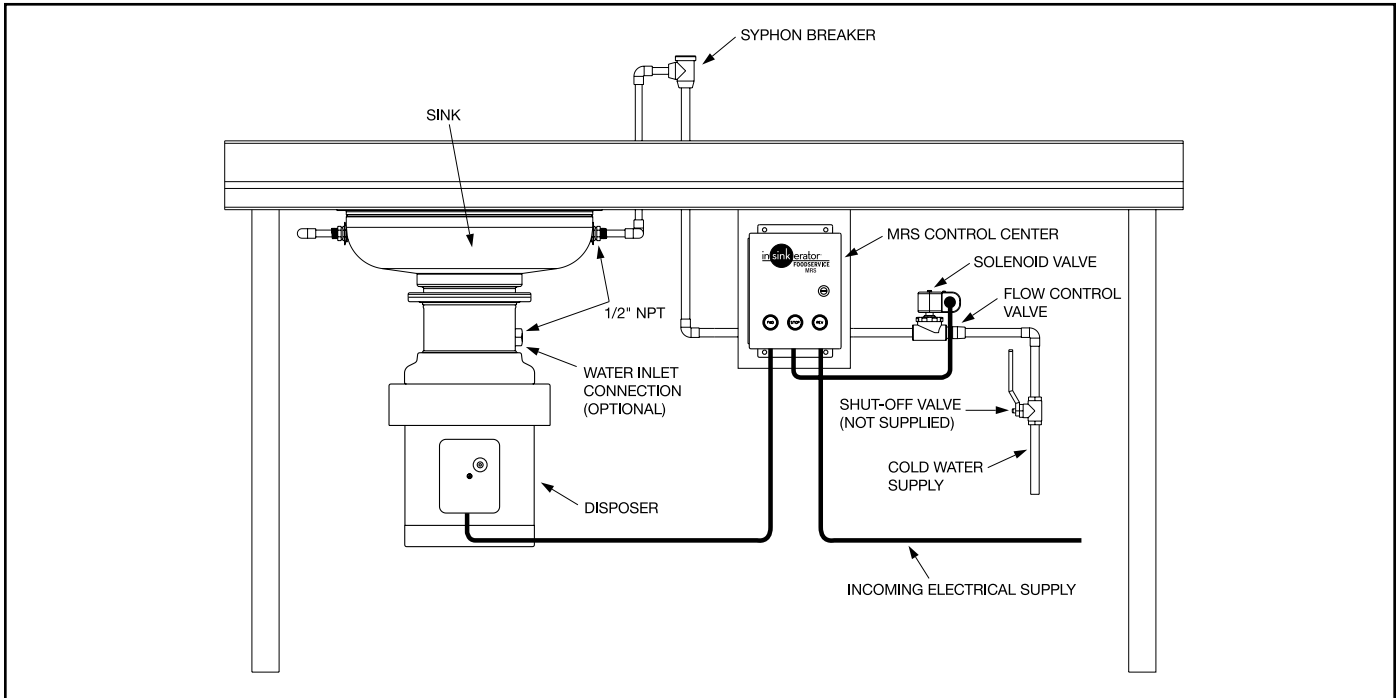


Figure 2. Typical Installation Diagram

### PLUMBING CONNECTIONS

The flow control valve, syphon breaker and solenoid valve are supplied with all complete disposer packages (packed separately).

Make certain that the solenoid valve supplied is the proper voltage. Make certain that the valves are plumbed according to water flow direction arrows marked on valves or the valves will not function properly.

The flow control valve regulates all water flowing into the disposer. This conserves water and prevents overloading. Check direction of water flow arrows.

Syphon breaker must be installed above the sink flood place **per local plumbing codes**. Check direction of water flow arrows.

## Electrical Connections

### ⚠ DANGER

#### ELECTRIC SHOCK

- Turn off the electrical supply to the disposer before attempting any work on it. Use a voltmeter or circuit tester to ensure that power is off.
- All installation work must conform to local plumbing and electrical codes.
- All control centers and disposers must be carefully and permanently grounded.
- A properly fused disconnect must be installed at the electrical supply source for the control center.
- The control center's door disconnect must be in the off position before the panel door can be opened. Power is still present at the disconnect until power is turned off at the electrical supply source.

### ELECTRICAL CONNECTIONS

Connect the incoming line power and disposer motor to the labeled terminal block in the control center. Use appropriate voltage and phase electrical connection diagrams at the back of this manual. Wire the disposer motor for the correct voltage using the connection diagram inside the motor terminal box.

Make sure the solenoid valve is the same voltage as the control panel and supply power.

Connect water solenoid valve as shown in the wiring diagrams on pages 7, 8, 9, and 10.

Wire per local electrical code using 7/8" diameter holes in bottom of control center cabinet and install NEMA 4 watertight electrical connectors (not supplied).

After completing the connections, close door and lock. Replace disposer motor cover.

### TIME DELAY RELAY

*(Optional, not supplied with MRS)*

The time delay relay may be used with the MRS to delay solenoid valve shut-off, providing a post flush. This helps prevent drain line stoppages and is beneficial when ground food waste must travel through many bends or a long horizontal run. It is adjustable from 0 to 10 minutes and factory set to provide approximately a 5 minute delay. To adjust, **SHUT OFF ELECTRIC POWER**. Inside unit, locate the adjustment potentiometer. Turn clockwise to increase delay. Turn counterclockwise to decrease delay. See Figures 4 and 5 for wiring.

Ensure the voltage rating on the time delay relay and solenoid valve are the same as the disposer motor and line voltage.

### ⚠ CAUTION

#### PROPERTY DAMAGE

- Ensure that control center voltage and phase match the disposer motor and electrical supply. Check name plates on disposer and control centers for voltage and phase specifications.
- Refer to the control center wiring diagrams in this manual for correct connection.
- Use NEMA 4 watertight electrical connectors (not supplied) when making electrical connections to the control center.

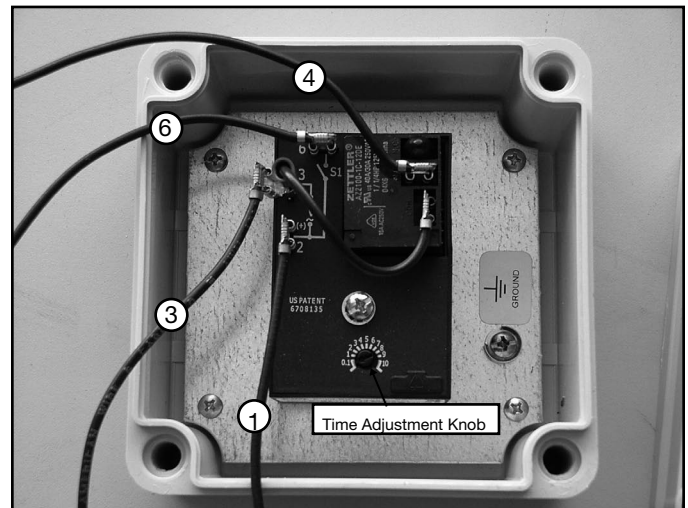


Figure 3. 120V or 208/230V Time Delay Relay

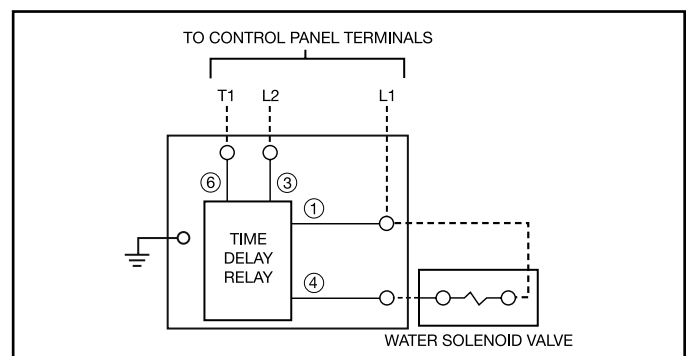


Figure 4. Time Delay Relay Connections - 120V or 208/230 V

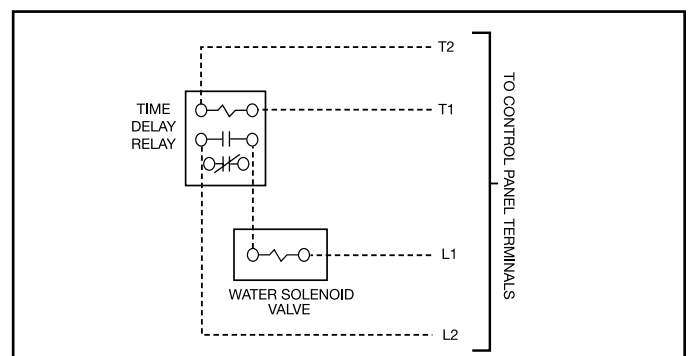


Figure 5. Time Delay Relay Connection - 460V, 3-phase only

## Operating Instructions/Troubleshooting

### **⚠ WARNING**

#### **PERSONAL INJURY**

- Allow only trained personnel to operate disposer.
- Use baffles and guarding to avoid splashing and ejection of materials.
- Do not put fingers or hands into the disposer.
- When attempting to remove objects from a disposer, use long-handled tongs or pliers.
- Turn power off before clearing a jam, removing an object from the disposer or pressing the red reset button.

### **⚠ WARNING**

#### **ELECTRICAL SHOCK/PROPERTY DAMAGE**

- Troubleshooting other than what is recommended in this section should only be performed by qualified service personnel.
- Further troubleshooting performed by untrained personnel could result in electric shock or damage to the control center.
- All electrical checks must be performed by a qualified professional.

### **OPERATING INSTRUCTIONS**

#### **TO START**

1. Check to ensure disposer is free of foreign objects.
2. Ensure power is on.
3. Push forward or reverse button. Disposer motor will run and water will flow into the disposer.

#### **TO STOP**

1. Push stop button. Disposer motor and water will stop.

### **TROUBLESHOOTING**

This control center was inspected and tested under operating conditions before shipment from the factory. In case of trouble, check the items listed below.

#### **A. Disposer motor will not start and water does not flow.**

1. No incoming line power, turn line power on.

#### **B. Disposer motor stops while grinding but water continues to flow.**

1. Disposer is jammed. Press the stop button and follow directions for unjamming that were supplied with the disposer.
2. Disposer motor overload protector has tripped. Follow instruction in C1.

#### **C. Disposer will not start but water flows.**

1. Overload protector on the disposer may have tripped. Press stop button. Locate red reset button on front of disposer electrical cover. Press to reset. If motor had been running, wait five minutes for the motor and overload to cool down before starting.
2. Disposer is jammed. Press the stop button and follow directions for unjamming that were supplied with the disposer.

#### **D. Water flows constantly before start button is pushed.**

1. Water solenoid valve is installed backward. Water flow should be in the direction of the arrow on valve.
2. Water solenoid valve is wired incorrectly. Recheck wiring diagram.

#### **E. Overload trips frequently.**

1. Do not overload disposer with excess amounts of garbage and water. (See disposer instructions for recommended water flows.)

**If trouble still persists, call your nearest InSinkErator Authorized Service Agency. For the location of your nearest service agency, call toll-free 1-800-845-8345.**

# MRS-6 Wiring Diagram

P/N 14368

## ⚠ DANGER

### ELECTRICAL SHOCK

- Turn off the electrical supply to the disposer before attempting any work on it. Use a voltmeter or circuit tester to ensure that power is off.
- Installation must conform to local electrical codes.
- All control centers and disposers must be carefully and permanently grounded.
- A properly fused disconnect must be installed at the electrical supply source for the control center.

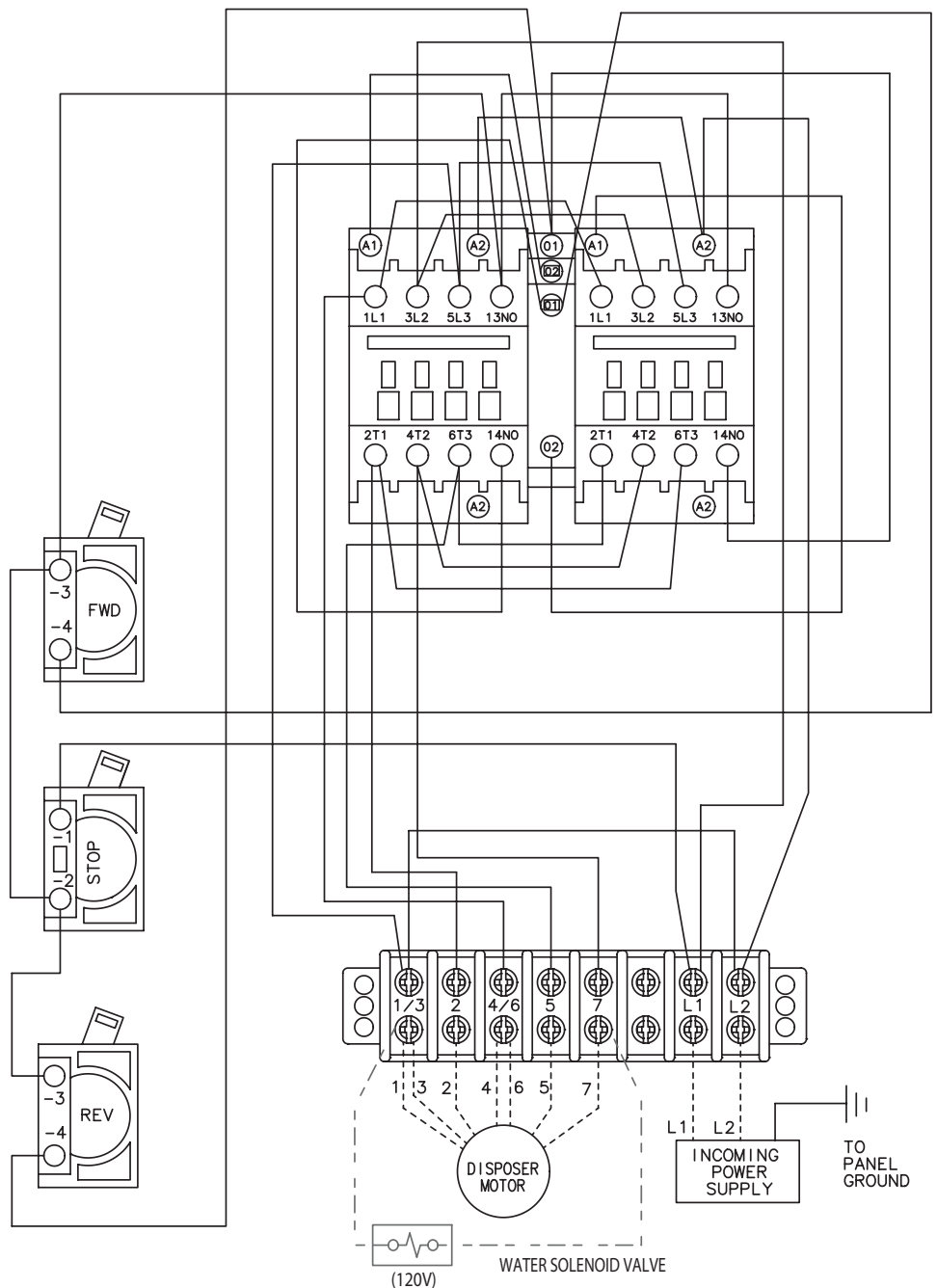
## ⚠ CAUTION

### PROPERTY DAMAGE

- Ensure that the control center voltage and phase match the disposer motor and electrical supply. Check nameplates on disposers and control centers for voltage and phase specification.
- The disposer motor wiring connection is shown in the disposer terminal box.

120 V  
1-phase  
1/2 to 2 HP

Call Toll Free 1-800-845-8345  
for the nearest InSinkErator  
Authorized Service Agency or  
to reach Technical Support.



# MRS-7 Wiring Diagram

P/N 14368A

## ⚠ DANGER

### ELECTRICAL SHOCK

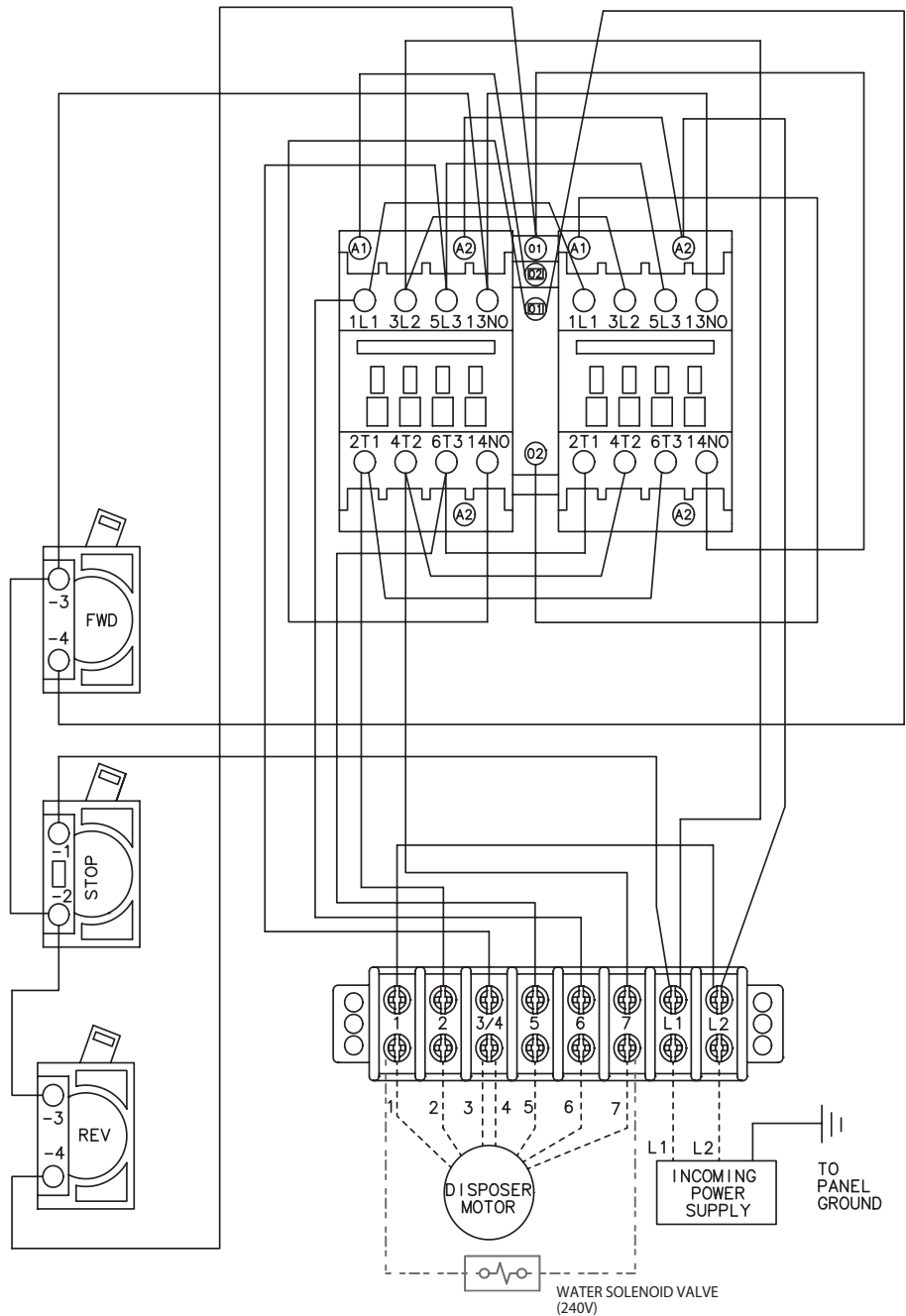
- Turn off the electrical supply to the disposer before attempting any work on it. Use a voltmeter or circuit tester to ensure that power is off.
- Installation must conform to local electrical codes.
- All control centers and disposers must be carefully and permanently grounded.
- A properly fused disconnect must be installed at the electrical supply source for the control center.

## ⚠ CAUTION

### PROPERTY DAMAGE

- Ensure that the control center voltage and phase match the disposer motor and electrical supply. Check nameplates on disposers and control centers for voltage and phase specification.
- The disposer motor wiring connection is shown in the disposer terminal box.

**208 - 230 V**  
**1-phase**  
**1/2 to 2 HP**



**Call Toll Free 1-800-845-8345**  
**for the nearest InSinkErator**  
**Authorized Service Agency or**  
**to reach Technical Support.**



# MRS-8 Wiring Diagram

P/N 14368B

## ⚠ DANGER

### ELECTRICAL SHOCK

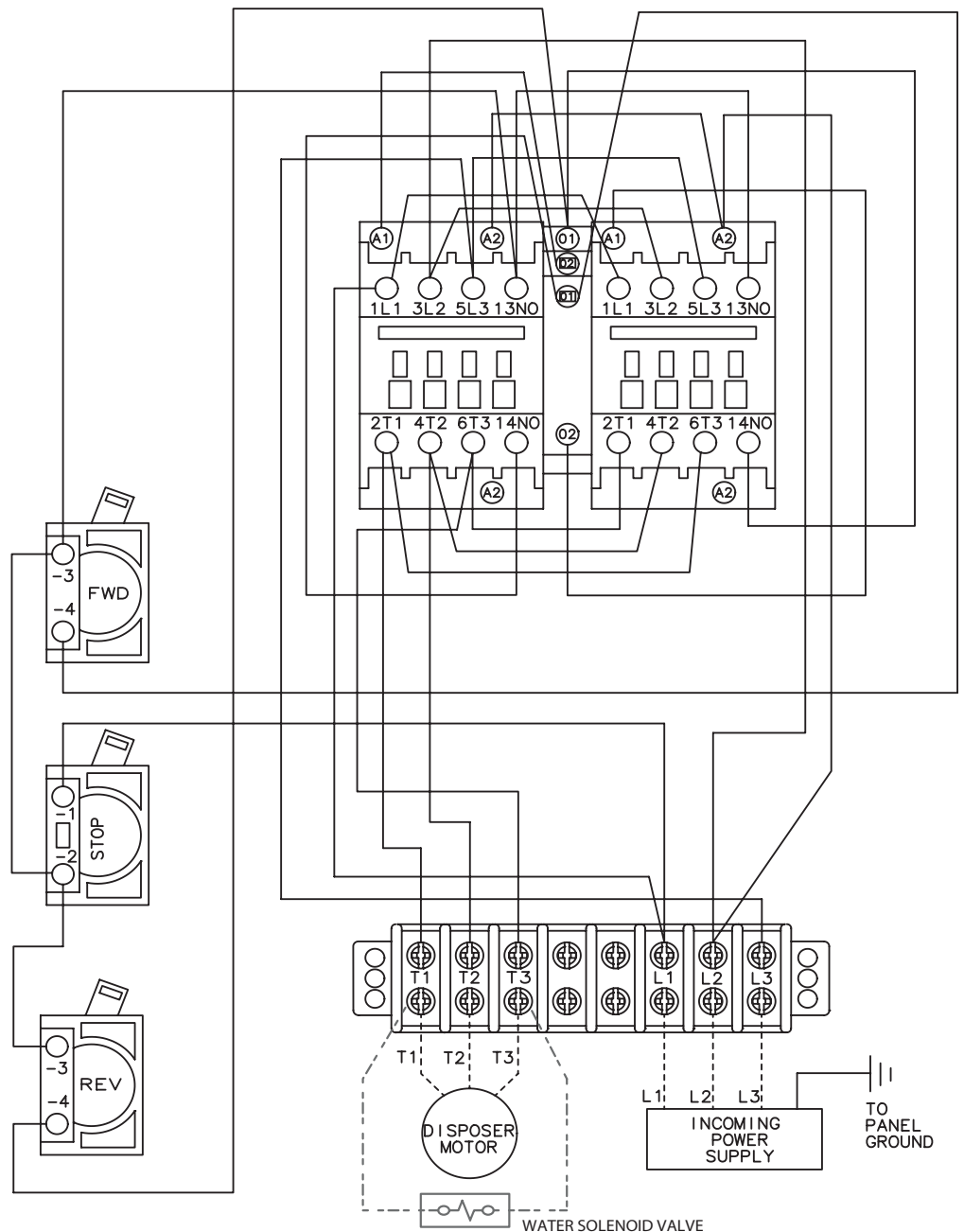
- Turn off the electrical supply to the disposer before attempting any work on it. Use a voltmeter or circuit tester to ensure that power is off.
- Installation must conform to local electrical codes.
- All control centers and disposers must be carefully and permanently grounded.
- A properly fused disconnect must be installed at the electrical supply source for the control center.

## ⚠ CAUTION

### PROPERTY DAMAGE

- Ensure that the control center voltage and phase match the disposer motor and electrical supply. Check nameplates on disposers and control centers for voltage and phase specification.
- The disposer motor wiring connection is shown in the disposer terminal box.

**208 - 230 V**  
**3-phase**  
**1/2 to 3 HP**



**Call Toll Free 1-800-845-8345**  
**for the nearest InSinkErator**  
**Authorized Service Agency or**  
**to reach Technical Support.**

# MRS-9 Wiring Diagram

P/N 14368C

## ⚠ DANGER

### ELECTRICAL SHOCK

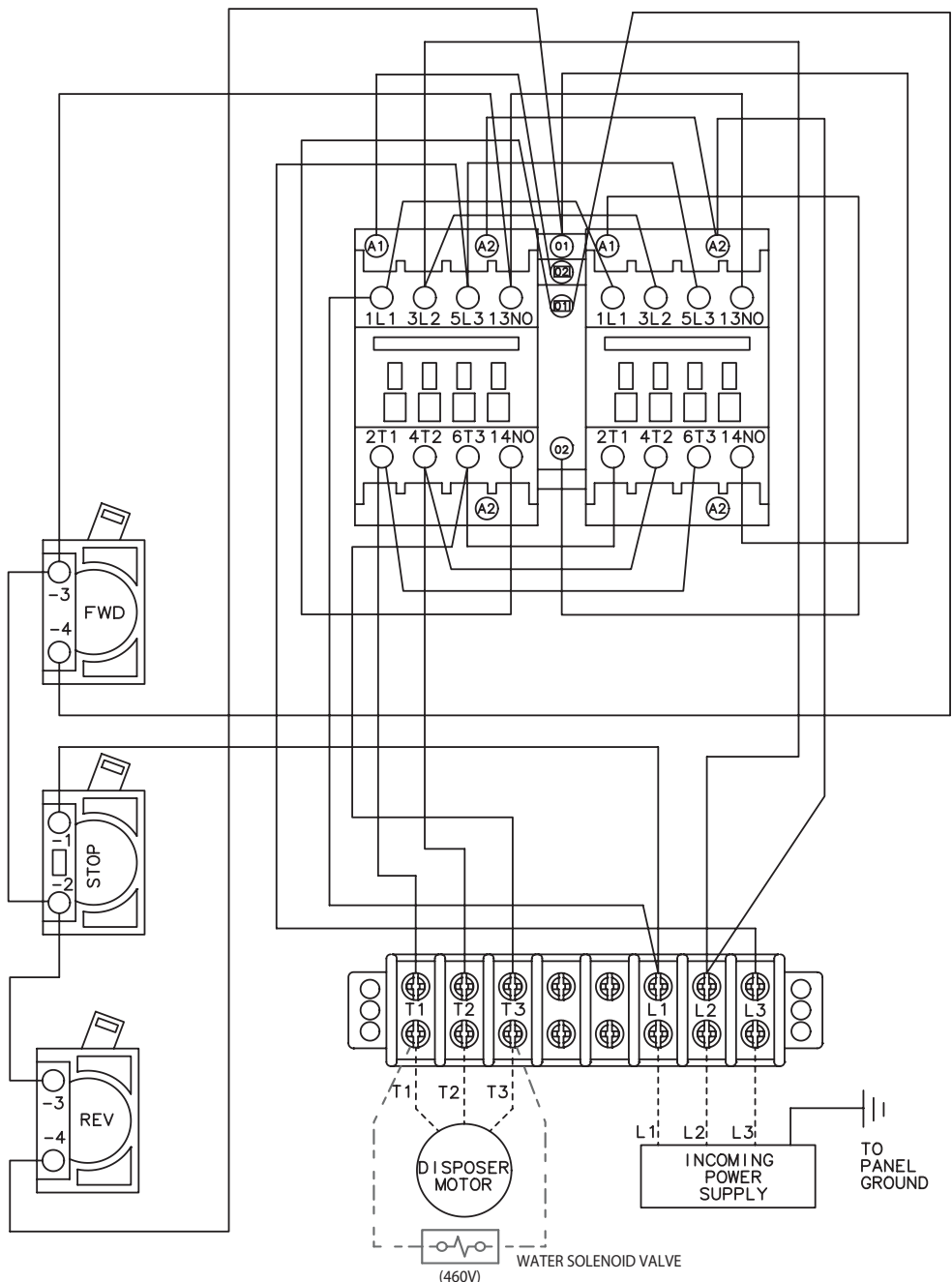
- Turn off the electrical supply to the disposer before attempting any work on it. Use a voltmeter or circuit tester to ensure that power is off.
- Installation must conform to local electrical codes.
- All control centers and disposers must be carefully and permanently grounded.
- A properly fused disconnect must be installed at the electrical supply source for the control center.

## ⚠ CAUTION

### PROPERTY DAMAGE

- Ensure that the control center voltage and phase match the disposer motor and electrical supply. Check nameplates on disposers and control centers for voltage and phase specification.
- The disposer motor wiring connection is shown in the disposer terminal box.

**380/460 V  
3-phase  
1/2 to 7.5 HP**



**Call Toll Free 1-800-845-8345  
for the nearest InSinkErator  
Authorized Service Agency or  
to reach Technical Support.**