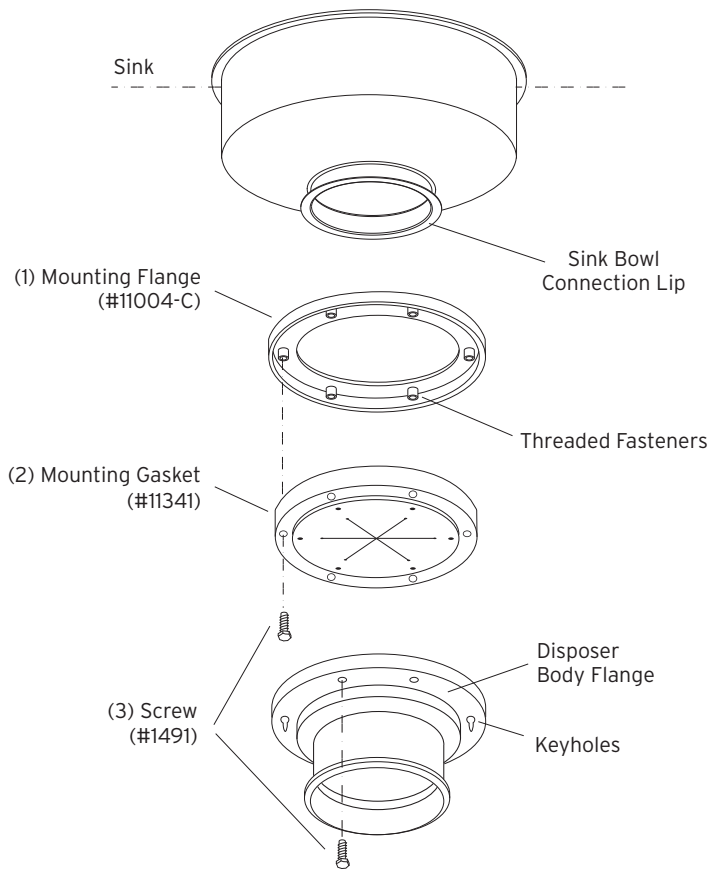


This adaptor will fit a sink opening of: 7" I.D. and 7-3/8" O.D.



Installation Instructions

1. Place mounting flange (1) up over existing sink bowl connection lip. It may require a slight force fit.
2. Push mounting flange (1) up out of the way and fit inside groove of mounting gasket (2) onto the sink bowl connection lip.
3. Move mounting flange (1) down over mounting gasket (2). Be certain that the threaded fasteners in the mounting flange (1) fit into recesses in the top of the mounting gasket (2).
4. Attach two screws (3) through opposite holes in the mounting gasket (2), and into the threaded fasteners in the mounting flange (1). The screws (3) should be protruding approximately 1/4 inch below the mounting gasket (2).
5. Position the disposer beneath the mounting gasket (2) and engage the two protruding screws in the keyhole slots in the disposer body flange. Assemble the remaining four screws (3) and turn the disposer into place for plumbing connections. Tighten all screws evenly to secure the unit.