



# PD8000/PD5000 MORTISE LOCKSETS FOR FACE FIXING FLUSH PULLS

With FH27SL/FH17 Flush Pulls

## INSTALLATION INSTRUCTIONS

(PM-IS2502-E1)



Unison Hardware Inc.

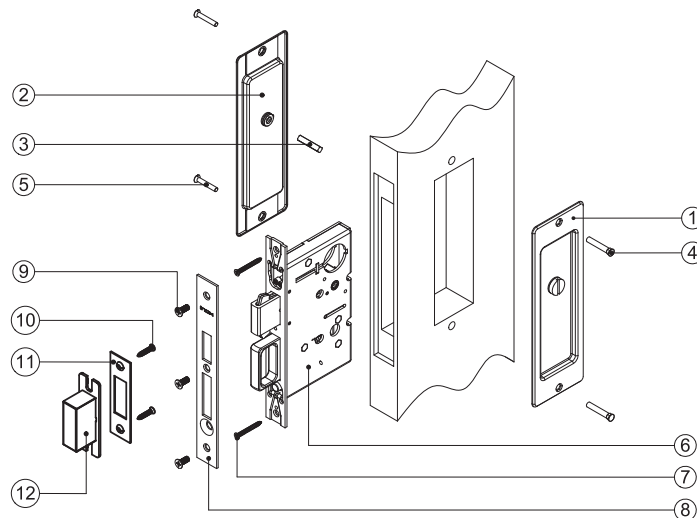
6 Wayne Court, Sacramento, CA 95829, USA

Tel: +1.916.388.1888 Fax: +1.916.388.8322

Email: info@unisonhardware.com Web: www.inoxproducts.com

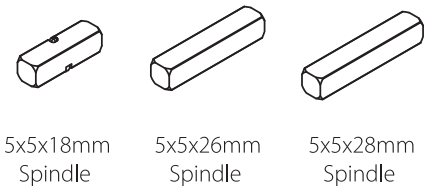
### 8000/5000 Series Pocket Door Lock Set Parts List:

(With FH27SL/FH17 Flush Pull)



Items	No.	Parts Description	Function				
			Passage	Privacy	Entry	Patio	Dummy
Flush Pull Parts	1	Outside Flush Pull	1 EA	1 EA	1 EA	1 EA	1 EA
	2	Inside Flush Pull	1 EA	1 EA	1 EA	1 EA	1 EA
	3	Spindle	-	See Spindle Chart			-
	4	M4X30 Bolt Sleeve	2 EA	2 EA	2 EA	2 EA	2 EA
	5	M4x25 Machine Screw	2 EA	2 EA	2 EA	2 EA	2 EA
Locks	6	Mortise Pocket Lock	1 EA	1 EA	1 EA	1 EA	-
	7	#8 screws for Inner Faceplate	2 EA	2 EA	2 EA	2 EA	-
	8	Armored Faceplate	1 EA	1 EA	1 EA	1 EA	-
	9	#8 screws for Armored Faceplate	3 EA	3 EA	3 EA	3 EA	-
	10	Screws for Striking Plate	2 EA	2 EA	2 EA	2 EA	-
	11	Striking Plate	1 EA	1 EA	1 EA	1 EA	-
	12	Dust Box	1 EA	1 EA	1 EA	1 EA	-
	-	Mortise Cylinder	-	-	1 EA	-	-
-	Key	-	-	2 EA	-	-	
Others	-	Door Prep Template	1 EA	1 EA	1 EA	1 EA	1 EA
	-	Installation Instruction	1 EA	1 EA	1 EA	1 EA	1 EA

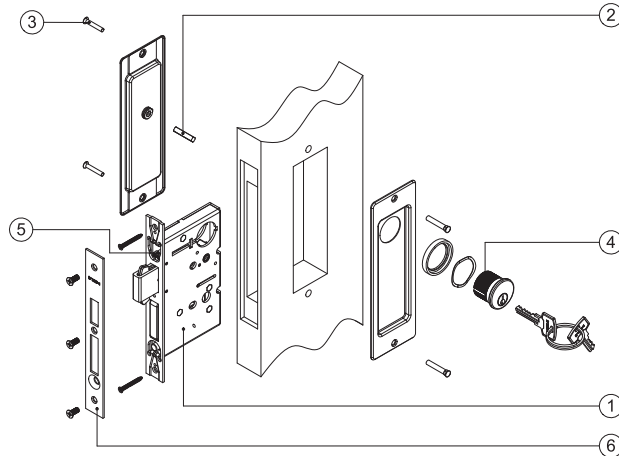
### Spindle Chart



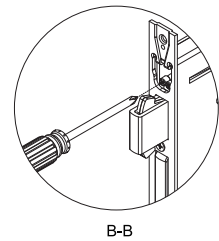
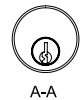
Function	Door Thickness	
	45mm	35mm
Entry	1ea 5x5x18mm	-
Privacy	2ea 5x5x18mm	1ea 5x5x28mm
Patio	1ea 5x5x18mm	1ea 5x5x26mm
Passage	-	-
Dummy	-	-

# FH27SL/FH17 Flush Pull with PD8000/PD5000 Pocket Door Lock Installation Instructions:

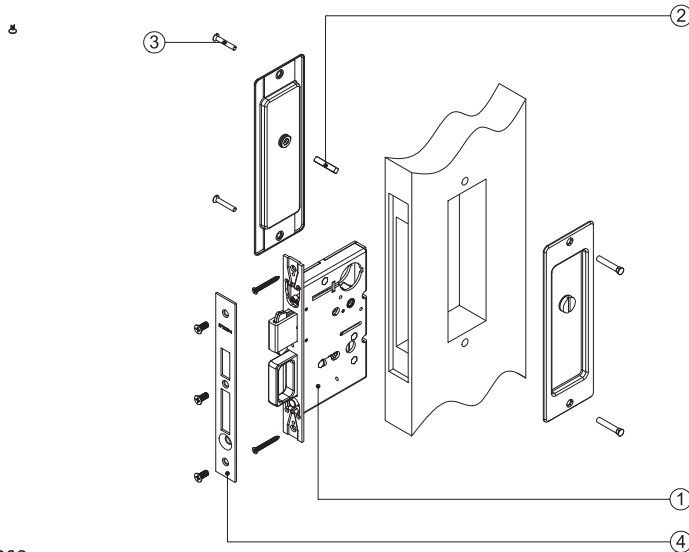
For Entry w/Single Cylinder Function: PD8450/PD5350



1. Install mortise lockcase.  
 ⚠ Note: Do NOT tighten faceplate screws until after installing cylinder.
2. Insert inside thumb-turn spindle into the spindle hole of mortise lockcase.  
 ⚠ Note: Choose the correct size of spindle based on the spindle chart.
3. Mount inside and outside flush pulls with 2 M4X30 bolt sleeves and 2 M4x25 machine screws.  
 ⚠ Note: Hand tools only, use of power tool can cause damage and will void warranty.  
 ⚠ Note: Make sure the cylinder hole of the outside flush pull to align at the cylinder hole of lock.
4. Install cylinder from outside.  
 ⚠ Note: Key slot on cylinder should be on lower off-center position. See Section A-A.  
 ⚠ Note: Use keys to test cylinder cam operates deadbolt smoothly.
5. Use a screwdriver to tighten yoke inside lock case through faceplate to fix the cylinder in position. See Section B-B.
6. Install armored faceplate with screws.



For Privacy, Patio, Passage w/ Lockcase, Passage w/ Lockcase as Dust Proof Strike, Dummy w/o Lock Case Function: PD8440, PD8460, PD8010, PD8115, PD5340, PD5360, PD5010, PD5115, DP



1. Install mortise lockcase.  
 ⚠ Note: Do NOT tighten faceplate screws until after installing flush pulls.
2. Insert inside thumb-turn spindle into the spindle hole of mortise lockcase.
3. Mount inside and outside flush pulls with 2 M4X30 bolt sleeves and 2 M4x25 machine screws.  
 ⚠ Note: Hand tools only, use of power tool can cause damage and will void warranty.  
 ⚠ Note: Make sure the cylinder hole of the outside flush pull to align at the cylinder hole of lock.
4. Install armored faceplate with screws.