

Installation based on barn door application where doors are hung on the **OUTSIDE** of the room.

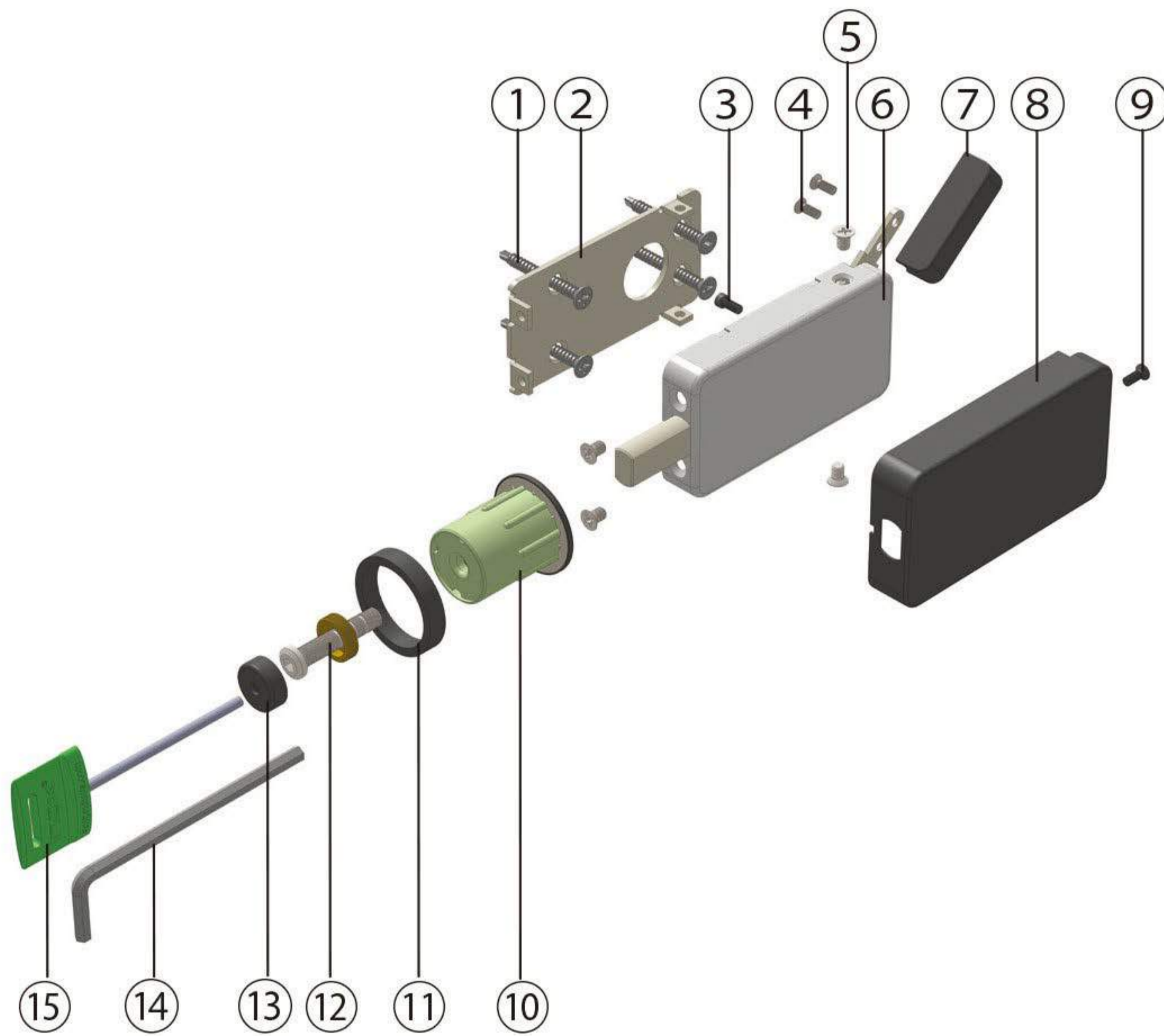
- Install Lock on the jamb wall facing the opening
- Install Strike with an emergency release on the barn door
- Adjustable Strike for door thickness from 1-3/8" to 2"
- Thick Door Kits Available



Scan to watch installation video

PART NO.	DEADBOLT	THUMB-LEVER	LOCK CASE
BD1022	1"	13/16"	3-9/16" x 1-7/8" x 9/16"
BD1023	1"	1-9/16"	3-9/16" x 1-7/8" x 9/16"

BD1000 Series Privacy Barn Door Lock Set Parts List:



Items	No.	Parts Description	Function Privacy
Lock	1	#8 x 1-1/2" Wood Combo Screw	4 EA
	2	Mounting Plate	1 EA
	3	M3 x 7mm Handing Screw	1 EA
	4	M3 x 6mm Thumb Piece Screw	2 EA
	5	M4 x 6mm Installation Screw	4 EA
	6	Barn Door Lock Body	1 EA
	7	Thumb Piece	1 EA
	8	Lock Body Cover	1 EA
	9	M3 x 6mm Cover Screw	1 EA
Strike	10	Dust Proof Strike	1 EA
	11	Washer	1 EA
	12	Hollow Screw	1 EA
Other	13	Decorative Cap	1 EA
	14	4mm Allen Wrench	1 EA
	15	Emergency Key	1 EA
	-	Door Prep Template	1 EA
	-	Installation Instruction	1 EA

Tools Suggestion

DO NOT USE:
Spade Bit

Recommend to Use:

Hole Saw 1"

Stud Finder

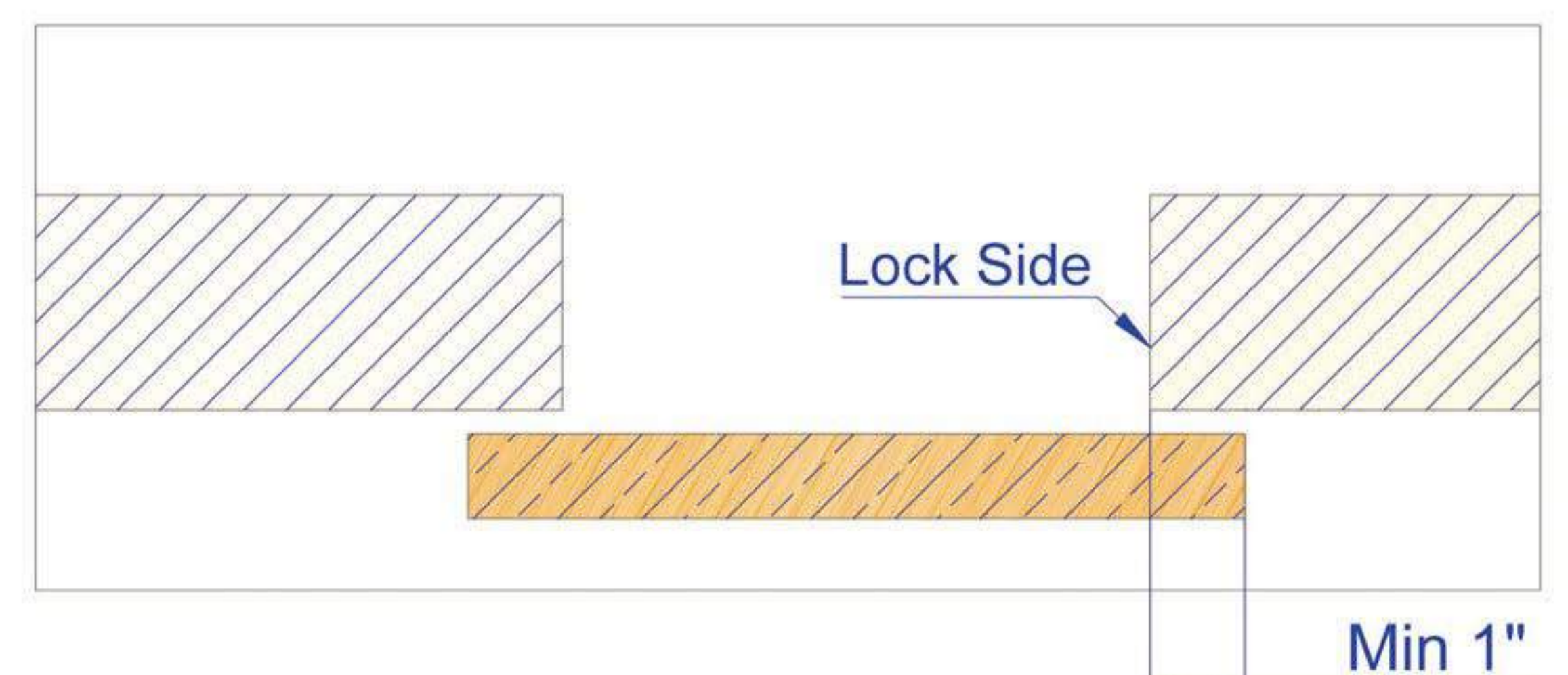
Level

T-Square

1/8" Drill Bit

1/4" Drill Bit

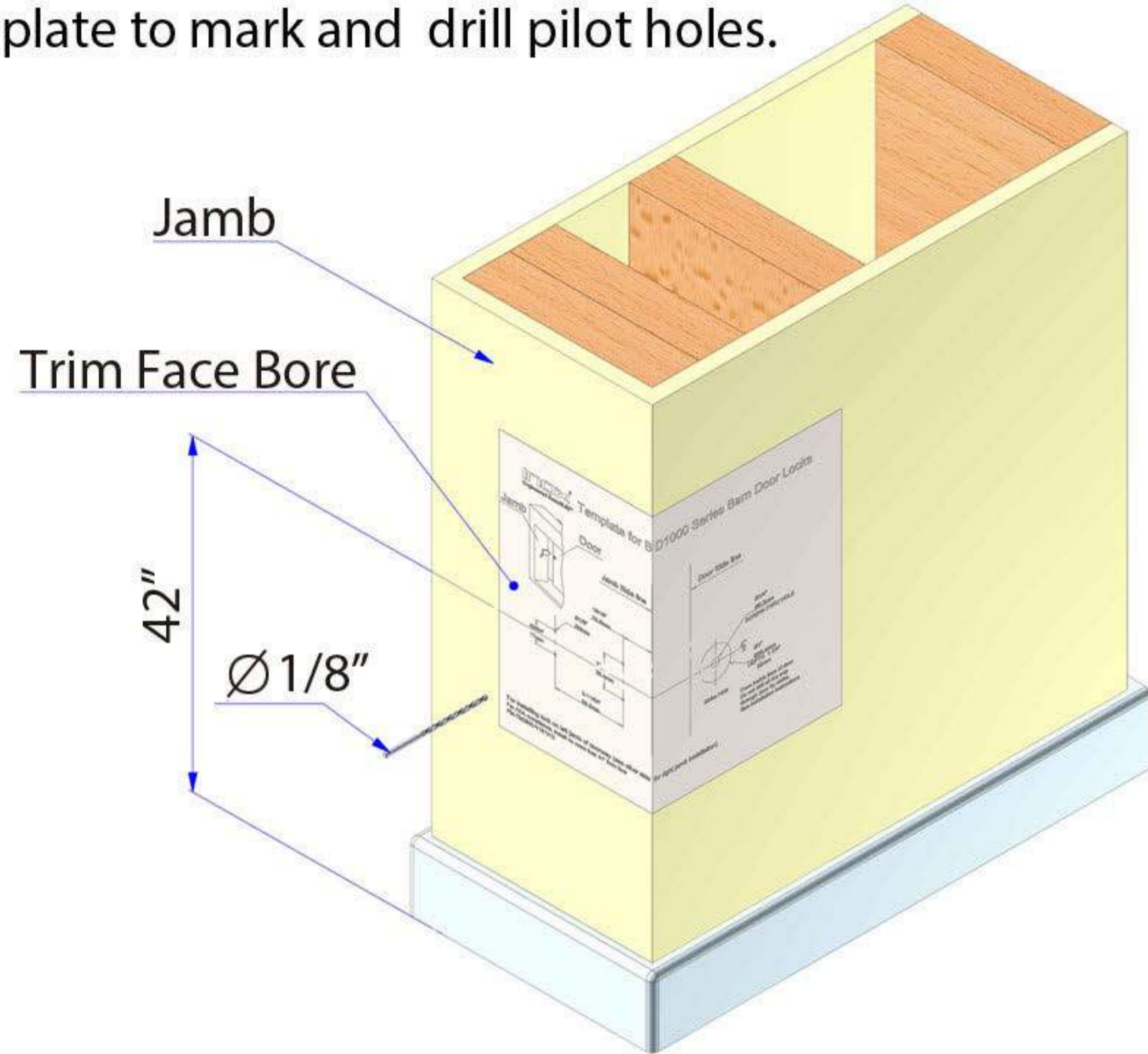
Step 1. Wall and Door preparation



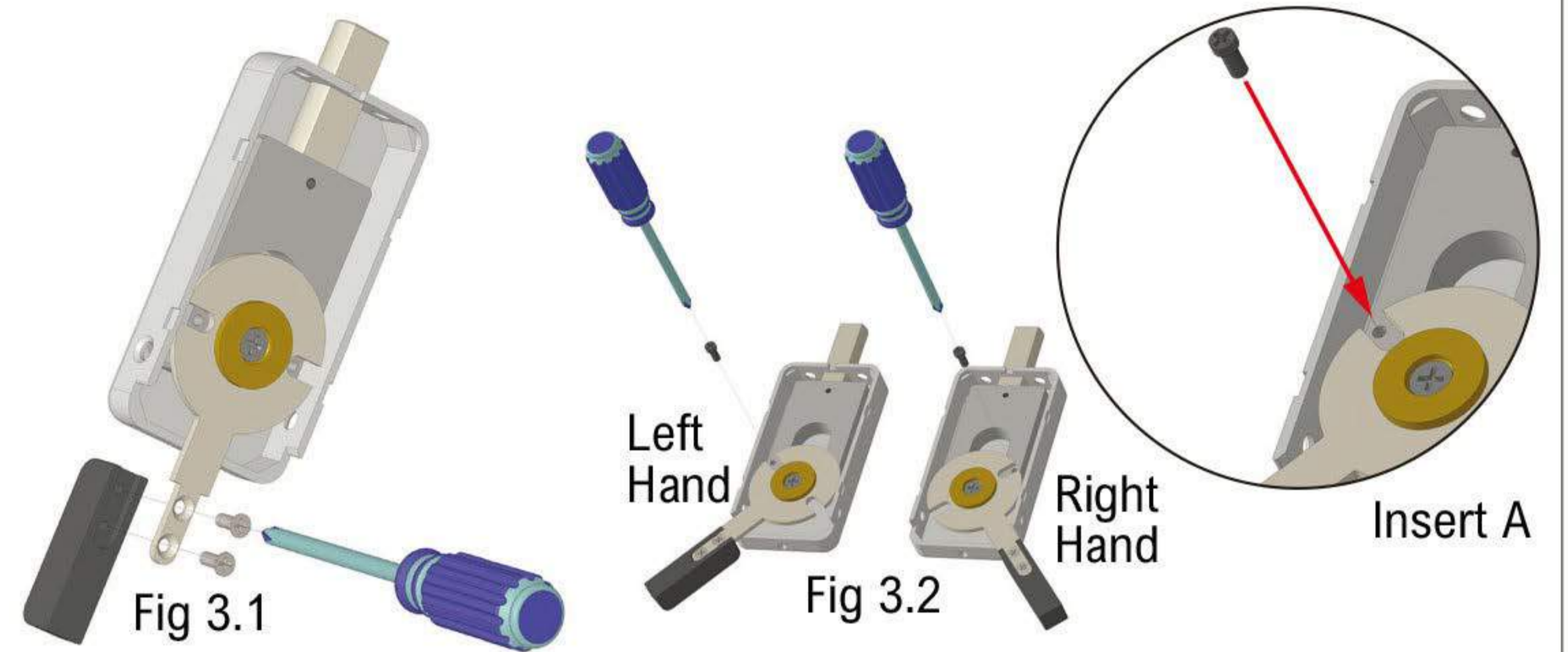
NOTE: Ensure that you have a minimum 1" door overlap before installing BD1000 Privacy Lock.

Step 2. Prep on the jamb

- 1) Remove Barn Door if it interferes with the lock installation.
Use template to mark and drill pilot holes.

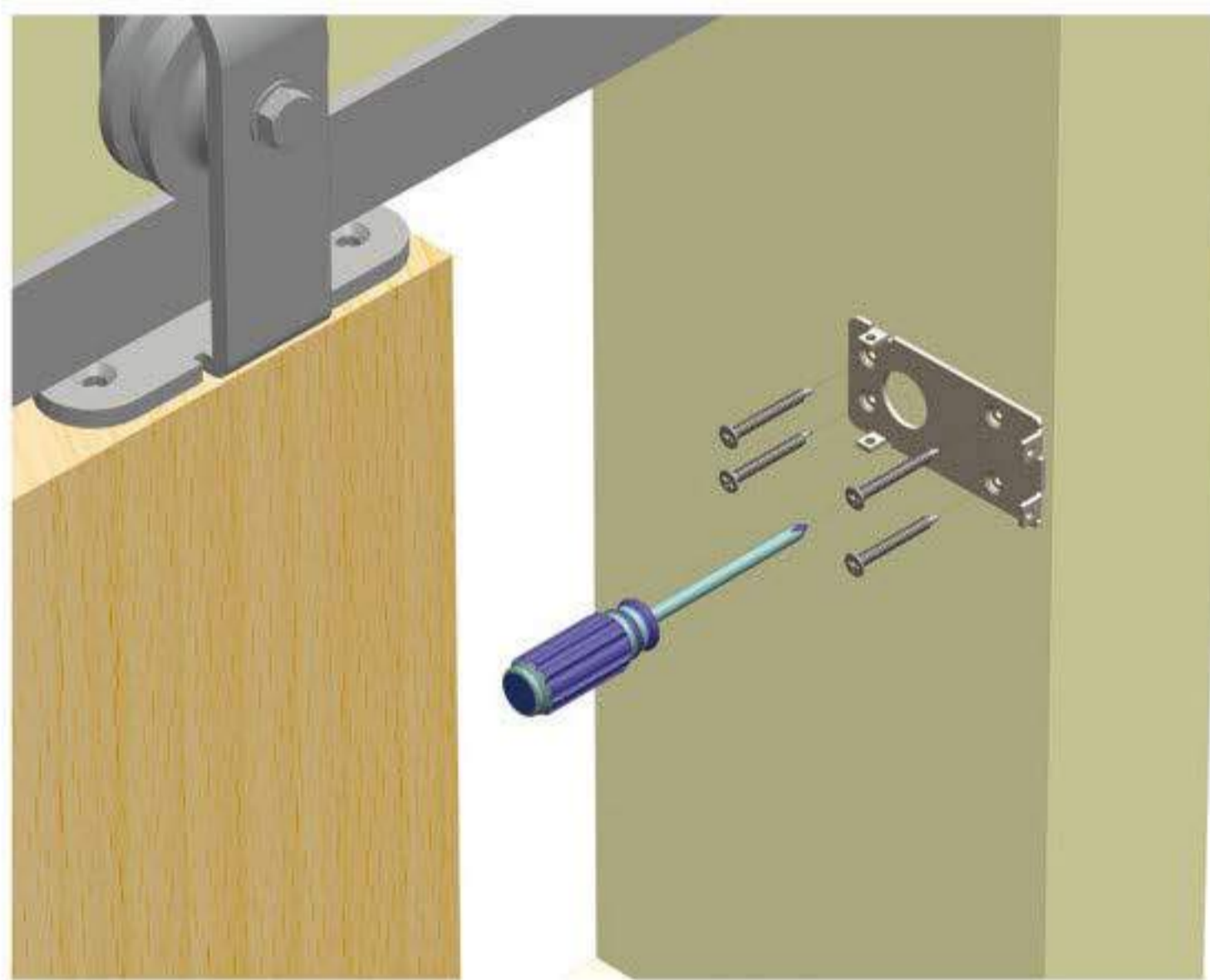


Step 3. Handing the Lock

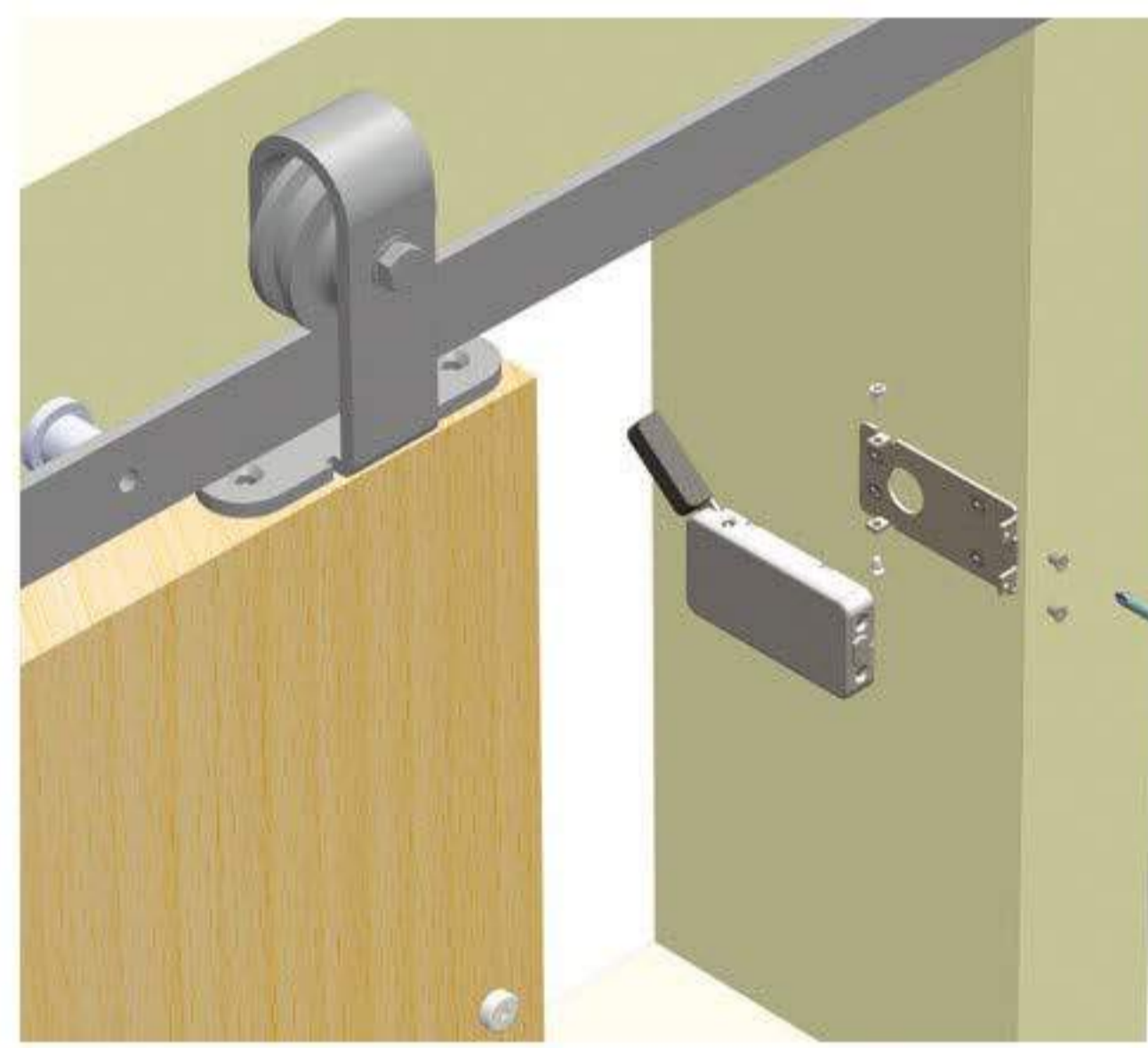


- 3.1) Install thumb lever to the lock
Observe following steps if you wish to flip lock orientation from left to right. (Use a #1 Phillips screwdriver)
3.2) Remove handing screw (Insert A) and discard
3.2) Flip Lever position (Fig. 3.2) to opposite orientation
3.3) Install new handing screw from fixing pack

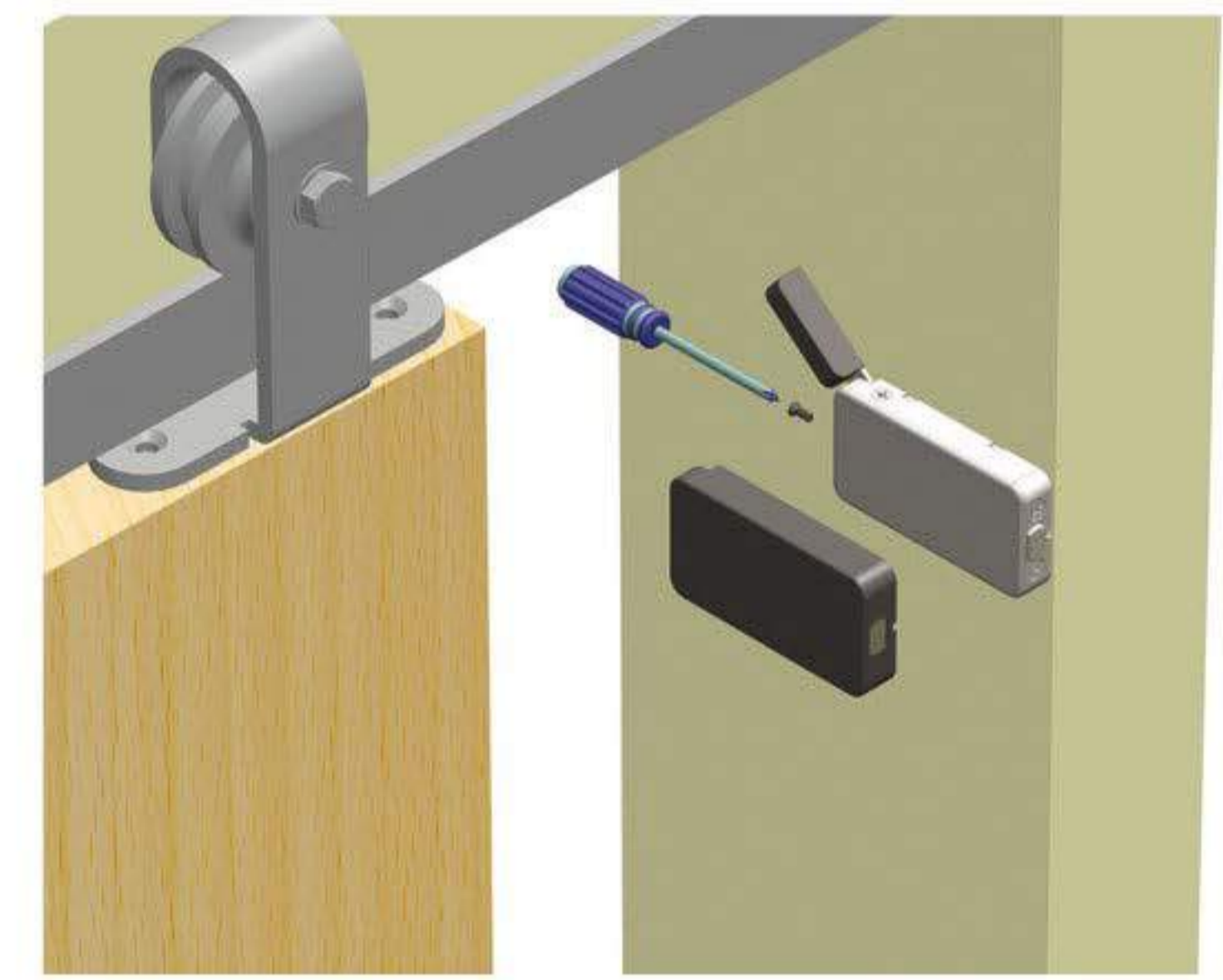
Step 4. Installation of the Lock



- 4.1) Attach Mounting Plate to door jamb using four combo screws

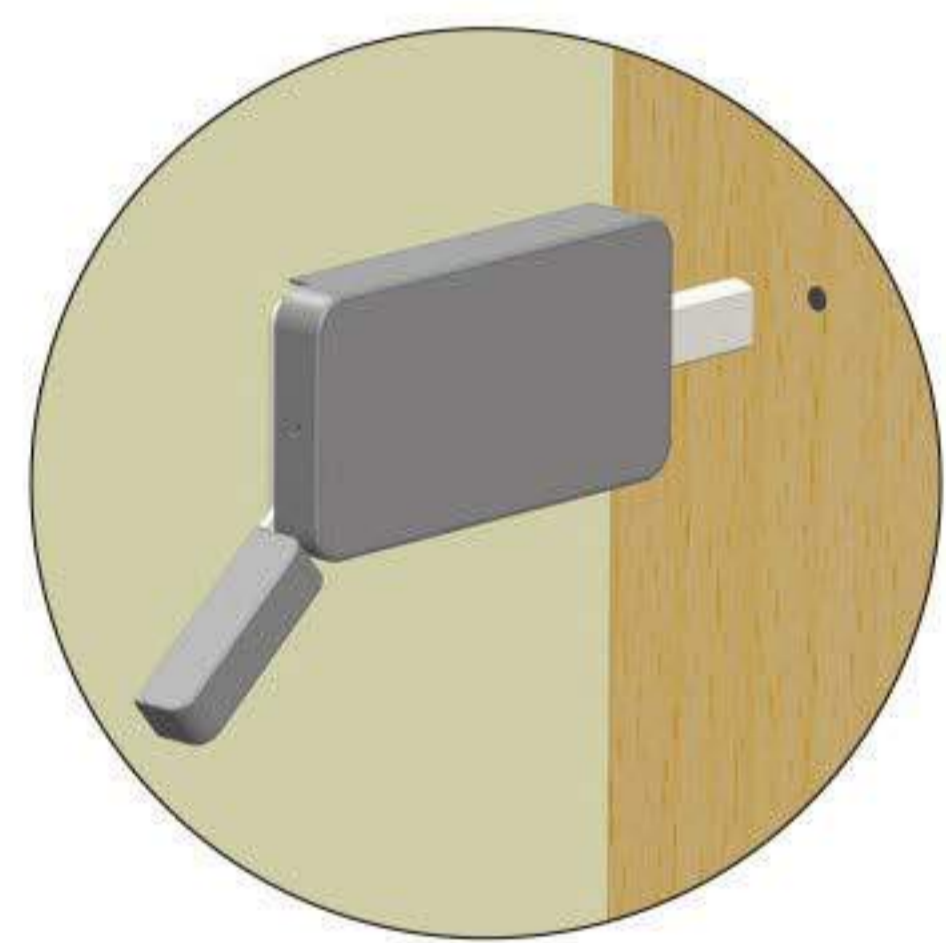


- 4.2) Install lock body and secure with 4 installation screws

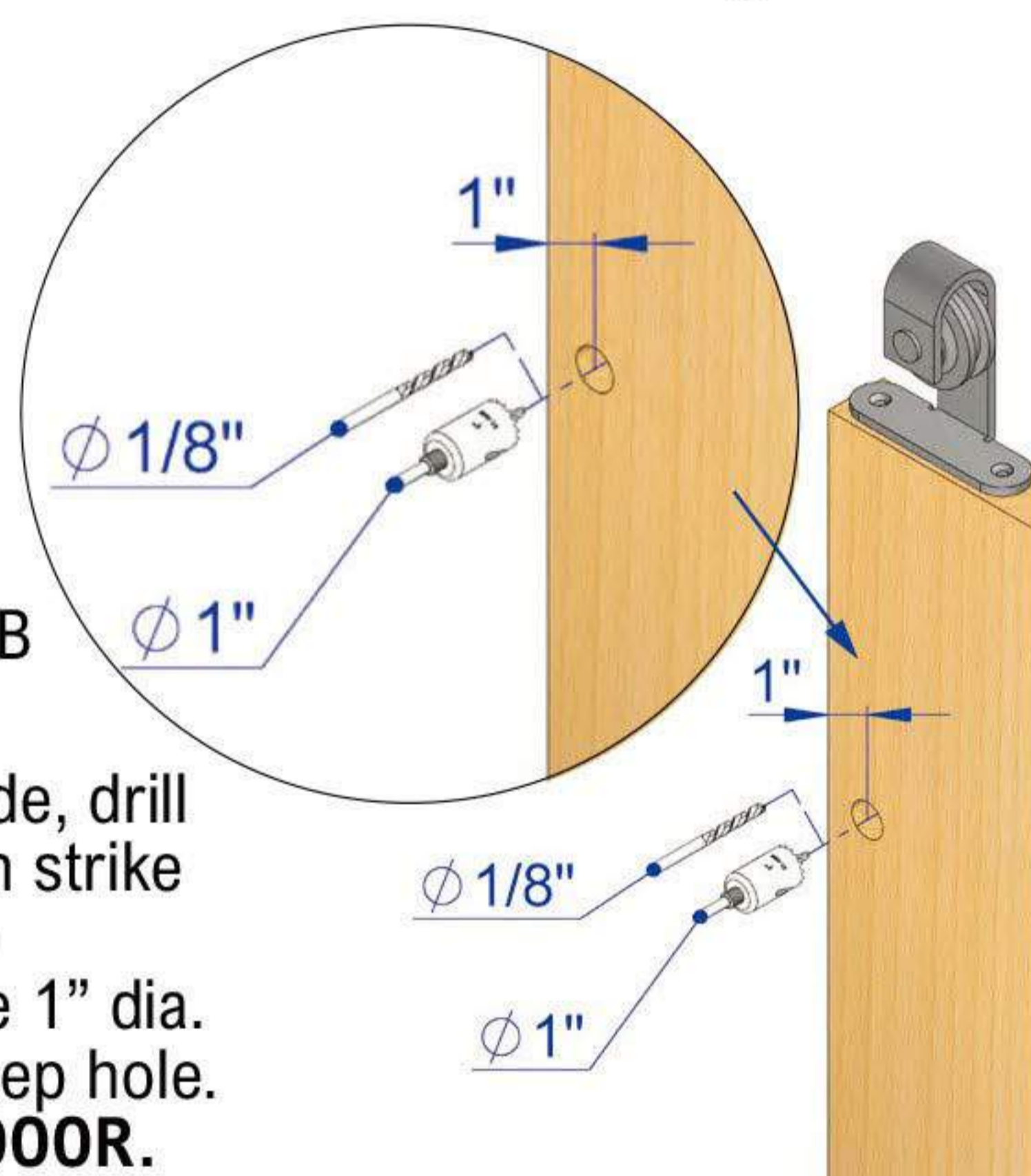


- 4.3) Install lock cover and screw.
NOTE: Slide front part of cover over body, hooking alignment tab onto body. Then push back of cover over body to snap into place

Step 5. Prep and Install Dust Proof Strike with Emergency Release on Barn Door

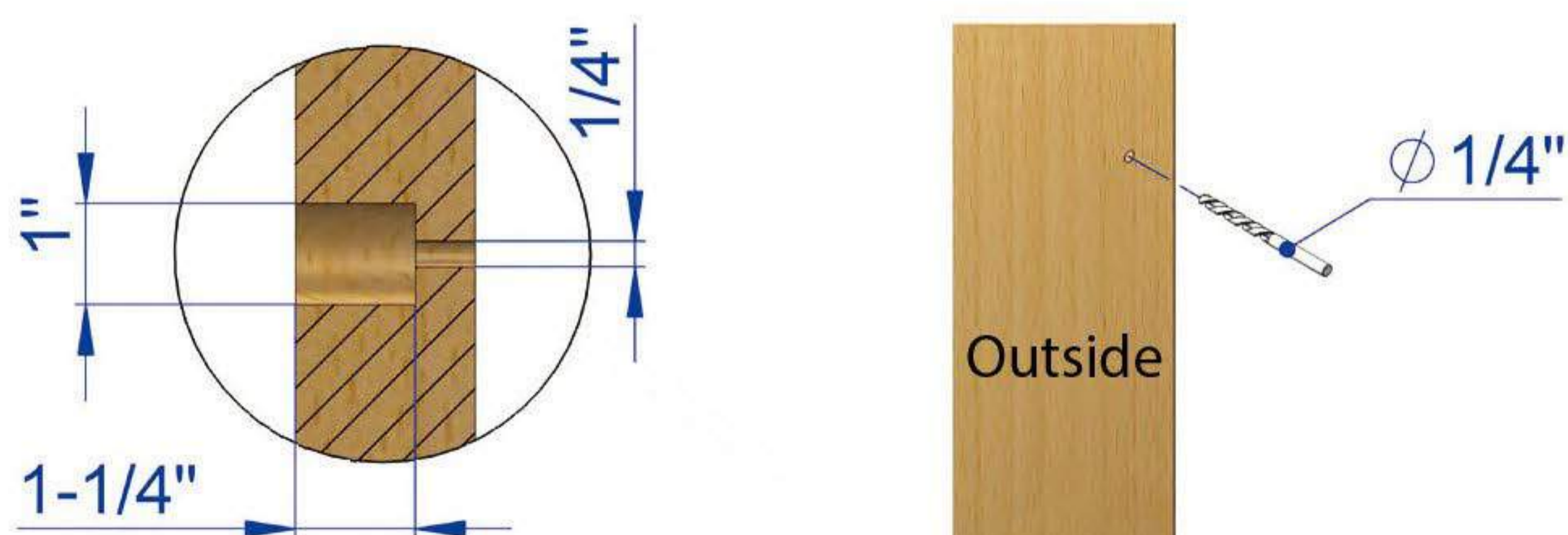


- 5.1) Close barn door; throw lock bolt to mark exact strike center position. Ensure min. 1" to edge of door



- 5.2) Using strike center as a guide, drill pilot hole through door from strike side with 1/8" bit. (Insert B) With pilot hole as guide, use 1" dia. Hole saw to drill a 1-1/4" deep hole. **DO NOT DRILL THROUGH DOOR.**

- 5.3) Using your pilot hole as a guide, use a 1/4" bit to drill a hole from outside through to connect with the strike bore.



Note: Standard barn door to wall clearance is approximately 3/8" to 1/2". Install additional spacer as needed behind the strike faceplate if the door to wall clearance is over 1/2". Additional spacers can support maximum clearance of 3/4" between door and wall.



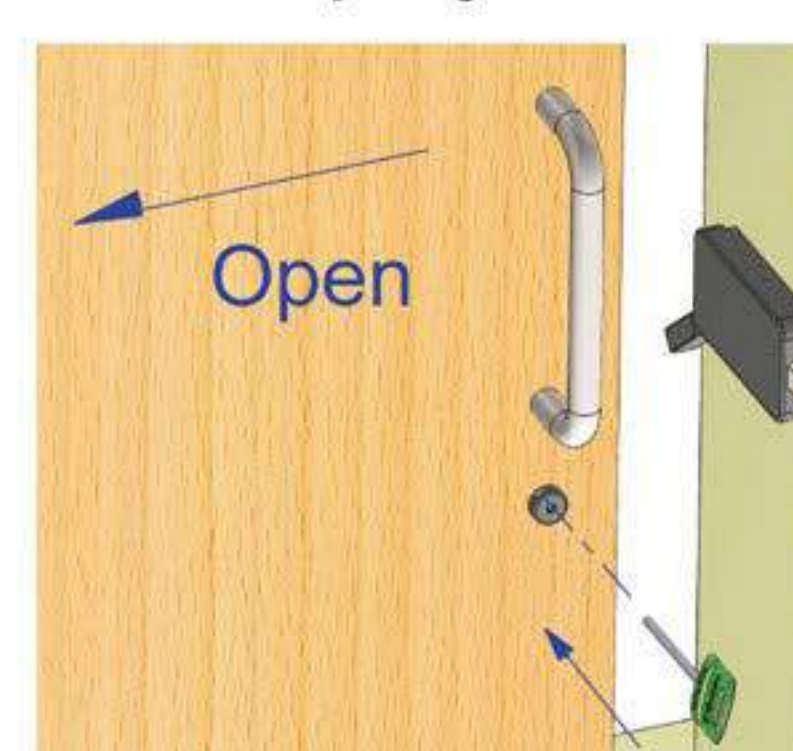
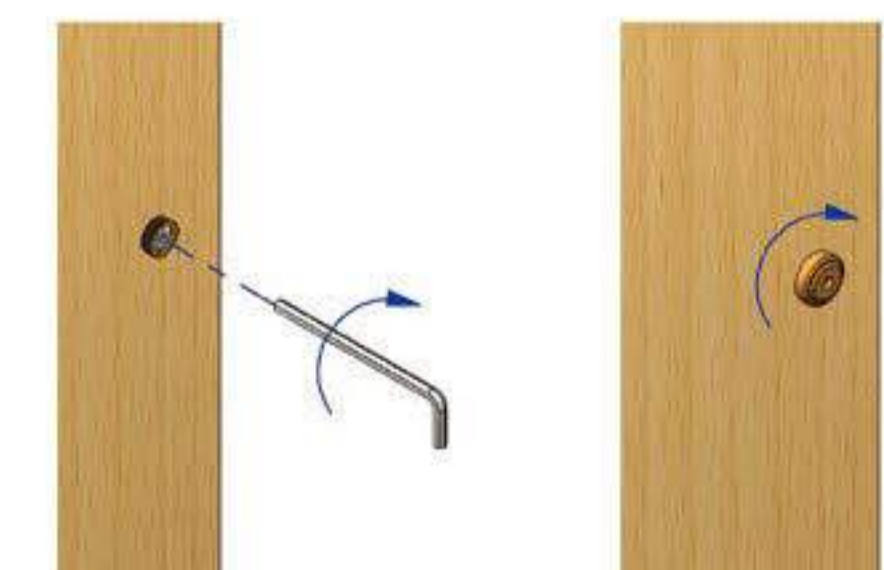
- 5.4) Install the 1" dust-proof strike with the 1/4" release screws on the outside.

- 5.5) Cut break-away screw to appropriate door thickness. **DO NOT OVER TIGHTEN**



Door Thickness	Length without Spacer	Length with Spacer
1-3/8"	11/16"	15/16"
1-3/4"	1-1/8"	1-5/16"

- 5.6) Install break away screw and tighten with Allen wrench. **DO NOT OVER TIGHTEN.** Screw on decorative cap by hand.



- 5.7) Use release key (provided with lock set) to push through center hole on release to push lockbolt back and unlock door.