

**FH27 Linear Flush Pull**

For PD8000/PD5000 Sliding & Pocket Door Locks



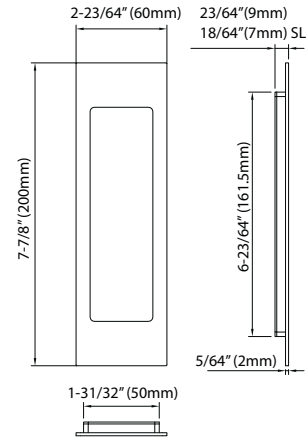
FH27 w/PD84



FH27 w/PD50



FH2792SL Slim Trim w/PD84



**Specifications**

Standard Door Thickness: 1-3/4"(45mm), Thick Door Kits available  
 Slim Trim (SL) available for 1-3/8" (35mm) doors  
 Handing: Non-Handed  
 Thumbturn Spindle: 5x5mm square  
 Deadbolt: 1"(25.4mm)  
 Cylinder: Schlage C keyway 5 pin mortise cylinder with 2 keys (KD).  
 Other keys available upon request.  
 Keying Services available. Order Separately.

**Finish**

See page 12-13 for Finish options.

**Application**

For residential or commercial application

**Material**

Stainless Steel/Brass

**Options**

Trim	Door Thickness	Fixing Type
FH27..	1-3/4" or greater	Discrete
FH27..SL*	1-3/8"	Face Fixing



FH27..SL\*

**Note: For 1-3/8" doors, order FH27..SL Face Fixing Trim. Standard FH27 Flush Trim cannot be installed on 1-3/8" doors.**

<b>FH2700</b> Flush Pull Only	<b>FH2703*</b> Flush Pull w/ Cylinder Hole	<b>FH2782*</b> Flush Pull w/ TT08 Thumbturn	<b>FH2792</b> Flush Pull w/ TT09 Thumbturn	<b>FH2704</b> Flush Pull w/ Thumbturn Release
Also Available: <b>FH2700SL</b>	* Not available with SL		Also Available: <b>FH2792SL</b>	Also Available: <b>FH2704SL</b>

## Flush Pull Options



## Finish Options

TRIM DESIGN	DOOR THICKNESS		BRASS MATERIAL										STAINLESS STEEL MATERIAL			
	1-3/8" +	1-3/4" or more	Brass Tones				Dark Tones		Silver Tones						US32	US32D
			US3* (605)	US4 (606)	US7 (608)	38 (Aged Brass)	US10B (613)	US19 (622)	US14* (618)	US15 (619)	US26 (625)	US26D (626)	US32 (629)	US32D (630)		
FH27...	N/A	√	√	√	√	√	√	√	√	√	√	√	√	√		
<b>FH27...SL**</b>	√	Use FH27	○	√	○	○	√	√	○	√	○	√	N/A	N/A		
FH29...	N/A	√	√	√	√	○	√	√	√	√	○	√	√	√		
FH31...	N/A	√	√	√	√	√	√	√	√	√	○	√	√	√		
FH32...	N/A	√	√	√	√	√	√	√	√	√	○	√	√	√		
FH22...	N/A	√	√	√	√	√	√	√	√	√	○	√	√	√		
FH23...	N/A	√	√	√	√	√	√	√	√	√	○	√	√	√		

√ = In stock; standard lead time 1-2 weeks  
 ○ = Special Order; standard lead time 8-12 weeks, minimum order quantity may apply  
 N/A = Not Available

### Finish Key:

- US3 (605) Bright Brass - Lifetime PVD
- US4 (606) Satin Brass
- US7 (608) French Antique
- US10B (613) Oil Rubbed Bronze
- US19 (622) Flat Black (2-3 weeks lead time)
- US14 (618) Polished Nickel (Brass) - Lifetime PVD
- US15 (619) Satin Nickel (Brass)
- US26 (625) Polished Chrome (Brass)
- US26D (626) Satin Chrome (Brass)
- US32 (629) Bright Stainless Steel - Lifetime
- US32D (630) Satin Stainless Steel - Lifetime
- 38 - Aged Brass

\* US3 (605) and US14 (618) are Lifetime PVD on Brass.

\*\* FH27..SL = Slim Trim for 1-3/8" Door with Face Fixing only. Not available as Keyed Entry Function (FH2703) or Privacy using TT08 Thumbturn (FH2782). Available in Passage/Dummy functions (FH2700) and Privacy/Patio functions with TT09 Thumbturn (FH2792) only.

## PD8000/PD5000 Mortise Locks with Flush Pulls for Pocket Door

### How to Order

1. Specify/Order Flush Pull Locksets using complete codes as below:

#### Product Identification

**FH27 PD8450 -234 -TT09 -32D**

#### \* Finish:

US3 (605) Bright Brass - Lifetime PVD  
 US4 (606) Satin Brass  
 US7 (608) French Antique  
 US10B (613) Oil Rubbed Bronze  
 US19 (622) Flat Black  
 US14 (618) Polished Nickel (Brass) - Lifetime PVD  
 US15 (619) Satin Nickel (Brass)  
 US26 (625) Polished Chrome (Brass)  
 US26D (627) Satin Chrome (Brass)  
 US32 (629) Bright Stainless Steel - Lifetime  
 US32D (630) Satin Stainless Steel - Lifetime  
 38 - Aged Brass

#### Thumbturn:

Blank = Privacy w/ TT08 Thumbturn  
 -TT09 = Privacy w/TT09 Thumbturn (For FH27/29/31/32 Flush Pull only)

#### Backset:

-234 = 2-3/4"  
 -212 = 2-1/2"  
 -200 = 2"

#### Function:

PD8010 = Passage used as Flush Pull or matching trim on pair of doors. Push button activates edge pull.  
 PD8115 = Passage used as Dust Proof Strike on inactive side of pair of doors. Push button activates edge pull.  
 PD8440 = Privacy with Thumb-turn and Release. Push button activates edge pull.  
 PD8450 = Entry with Single Cylinder and Thumb-turn. Push button activates edge pull.  
 PD8460 = Patio with Thumb-turn only. Push button activates edge pull.  
 PD5010 = Passage used as Flush Pull or matching trim on pair of doors. Push button activates edge pull.  
 DP = Dummy/Passage. No lock case edge pull.

#### Flush Pull Design:

**NOTE:** Doors 1-3/4" or thicker: Order any Flush Pull

**Doors 1-3/8": Order FH27..SL Face Fixing Trim ONLY**

FH27 = Linear Flush Pull - Add SL to FH27 code for 1-3/8" doors  
 FH29 = Arc Flush Pull  
 FH31 = Regal Flush Pull  
 FH32 = Crown Flush Pull  
 FH22 = Luna Flush Pull  
 FH23 = Urban Flush Pull