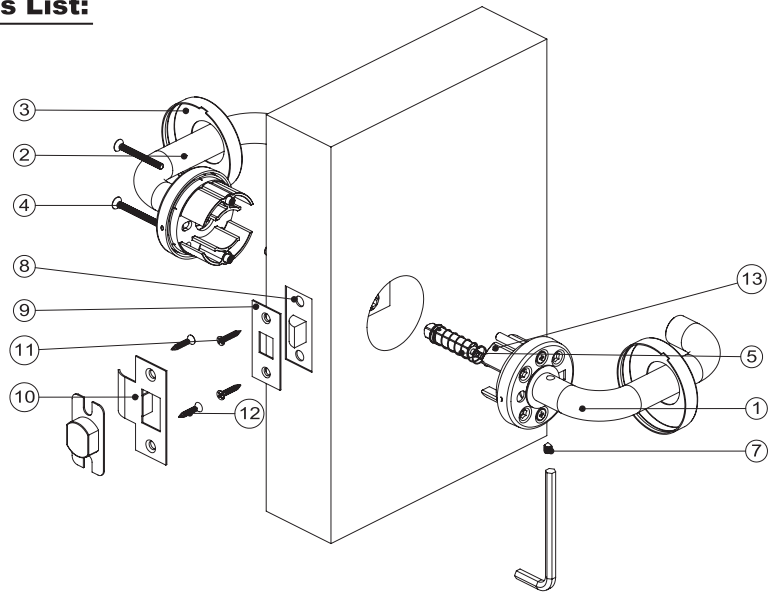


Parts List:



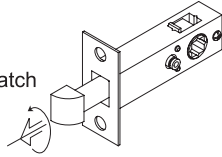
**RA /SE with Tubular Latch
Installation Instructions**

Items	No.	Parts Description	Function			
			Privacy	Passage	Full Dummy	Half Dummy
Leverset Parts	1	RA/SE Rose Outside w/Lever & Cover	1 EA	1 EA	1 EA	1 EA
	2	RA/SE Rose Inside w/Lever	1 EA	1 EA	1 EA	-
	3	RA/SE Inside Rose Cover	1 EA	1 EA	1 EA	-
	4	M4x1-3/8"(35mm) Machine Screw	2 EA	2 EA	2 EA	-
	5	8x1-3/4"(45mm) Spring Spindle	2 EA	2 EA	-	-
	6	Privacy Pin	1 EA	-	-	-
	7	Grab Screws	2 EA	2 EA	2 EA	1 EA
	-	Dummy Spindle	-	-	2 EA	1 EA
	-	#6x3/4" Wood Screws	-	-	6 EA	3 EA
	-	#8x1" Wood Screws	-	-	8 EA	4 EA
Locks	8	Tubular Latch	1 EA	1 EA	-	-
	9	Tubular Latch Faceplate	1 EA	1 EA	-	-
	10	Tubular Latch Striking Plate	1 EA	1 EA	-	-
	11	8# Screws for tubular latch faceplate	2 EA	2 EA	-	-
	12	Screws for tubular latch Striking Plate	2 EA	2 EA	-	-
	13	Latch Bracket	1 EA	1 EA	-	-
Others	-	Door Prep Template	1 EA	1 EA	-	-
	-	Installation Instruction	1 EA	1 EA	1 EA	1 EA
	-	Cleaning Tissue	2 EA	2 EA	2 EA	1 EA

(PM-IS1100-V3)

Change Latch Bolt Direction

TL2 Latch
45 degree retraction latch

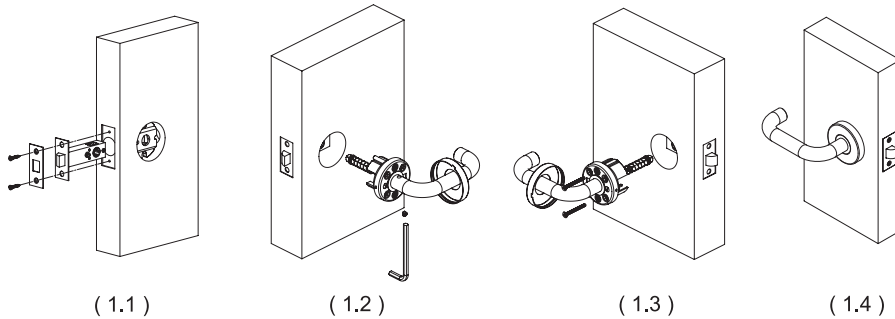


Take out the latch and turn 180°

Installation Steps

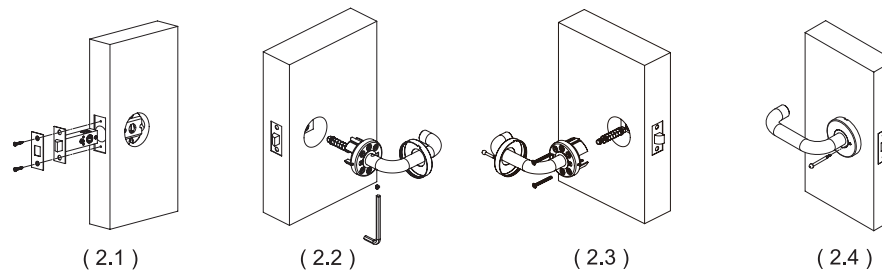
For Passage Function: L61

- 1.1) Insert tubular latch, fixed with two #8 screws provided.
- 1.2) Insert outside spindle, mount outside lever with rose cover.
- 1.3) Put the inside lever to the spindle, mount two M4 screws into the screw holes on the top and bottom of the inside lever, through latch bracket, into the screw sleeves on the outside rose.
- 1.4) Mount inside rose cover after tightening the grab screw.



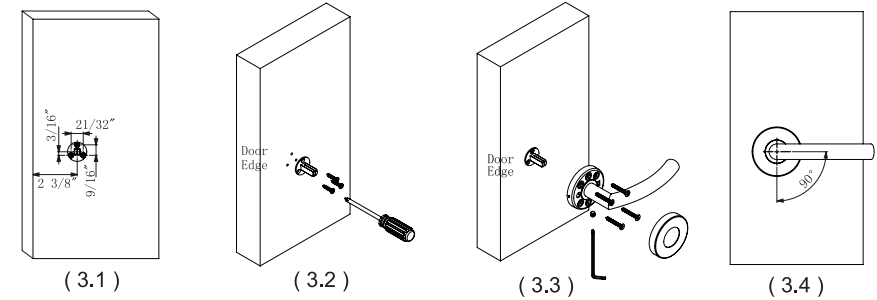
For Privacy Function: L62

- 2.1) Insert tubular latch, fixed with two #8 screws provided.
- 2.2) Insert outside spindle, mount outside lever with rose cover.
- 2.3) Put the inside lever to the spindle, mount two M4 screws into the screw holes on the top and bottom of the inside lever, through latch bracket, into the screw sleeves on the outside rose.
- 2.4) Mount inside rose cover after tightening the grab screw; tighten the pin into privacy hole on the tubular latch.



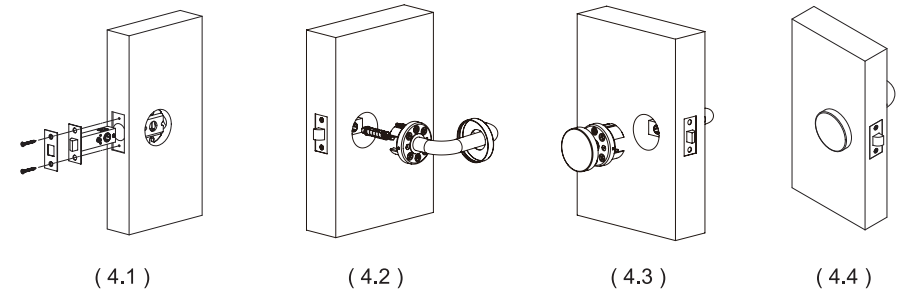
For Dummy Function: DL or DR

- 3.1) Square the Dummy Spindle to the vertical and horizontal planes of the door.
- 3.2) Mount the Dummy Spindle using #6x3/4" wood screws supplied.
- 3.3) Mount the levers using #8x1" wood screws supplied on inner rose and assemble grab screw to the lever.
- 3.4) Mount rose cover.



For Communicating Function: CM

- 4.1) Insert tubular latch, fixed with two #8 screws provided.
- 4.2) Insert outside spindle, mount outside lever with rose cover.
- 4.3) Mount inside rose, insert two M4 screws into the screw holes on the top and bottom of the inside rose, through latch bracket, into the screw sleeves on the outside rose.
- 4.4) Mount inside rose cover.



DP For Pre-bored Doors Function:

- 5.1) Install latch bracket, insert dummy latch, fixed with two #8 screws provided.
- 5.2) Insert outside spindle, mount outside lever with rose cover.
- 5.3) Put the inside lever to the spindle, mount two M4 screws into the screw holes on the top and bottom of the inside lever, through latch bracket, into the screw sleeves on the outside rose.
- 5.4) Mount inside rose cover after tightening the grab screw.

