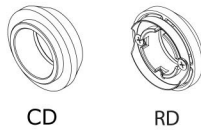
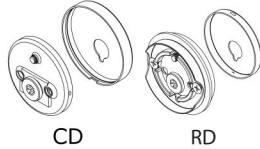


Section A



Section B



# RD / SD / LD / CD Installation Instructions

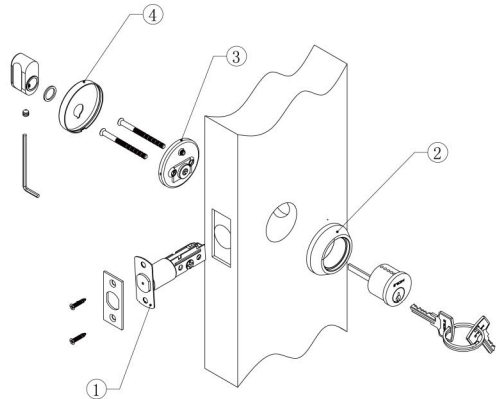
Single Cylinder Deadbolt  
Double Cylinder Deadbolt  
Communicating Deadbolt

(PM-IS1600-V120706)

**Parts List**

- |  |  |
|--|--|
| 1. Keys  | 9. Set Screw for Thumb-turn                      |
| 2. Outside Rim Cylinder w/ Tailpiece           | 10. Screws for Face plate (2 EA x #8 Screws)     |
| 3. Outside Cylinder Escutcheon (See Section A) | 11. Screws for Striking Plate (2 EA x #8 Screws) |
| 4. Inside Deadbolt Escutcheon (See Section B)  | 12. Deadbolt Striking Plate                      |
| 5. 2 EA x M5x45mm Thru-bolts                   | 13. Deadbolt Dust Box                            |
| 6. Inside Cover Plate (See Section B)          | 14. Reinforcement Screws (2 EA x M5x75mm Screws) |
| 7. Thumb-turn Washer                           | 15. Deadbolt Reinforcement Plate                 |
| 8. Thumb-turn                                  | 16. Faceplate for Deadbolt                       |
|  | 17. Deadbolt                                     |

**Installation Steps**



Section A-A

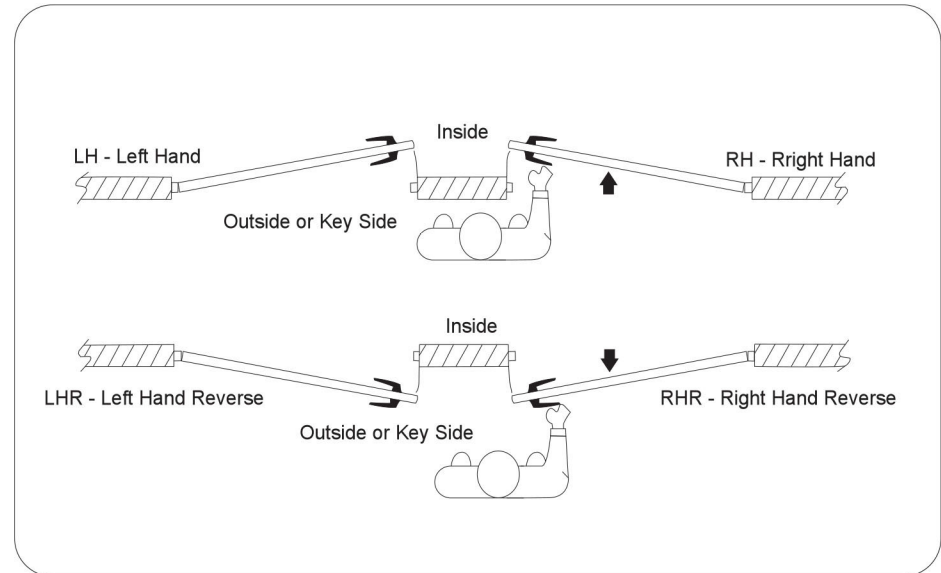


Section B-B

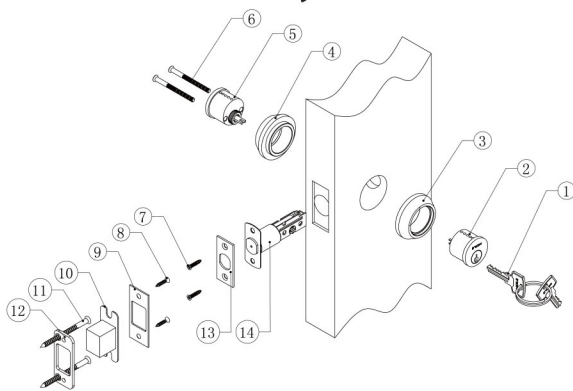


1. Install deadbolt with 2 x #8 Screws.  
 ▲ Please ensure the deadbolt bolt is retracted inside latch casing.
2. Install the cylinder and outside escutcheon.  
 ▲ Key slot on cylinder should be on lower off-center position. See Section A-A.  
 ▲ Set the outside tailpiece to Vertical position WITHOUT keys. See Section B-B.
3. Mount the inside escutcheon with thru-bolts.  
 ▲ Use keys to test cylinder and make sure cylinder cam operates deadbolt smoothly.
4. Mount the inside cover plate and clear washer before mounting thumb-turn piece.  
 Tighten the set screw inside thumb-turn piece using allen key.

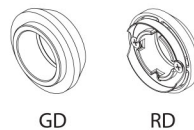
**Determine Door Handing and Set Lock Case Direction**



## RD / SD / LD / CD Double Cylinder Deadbolt



### Section A

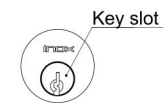


### Parts List

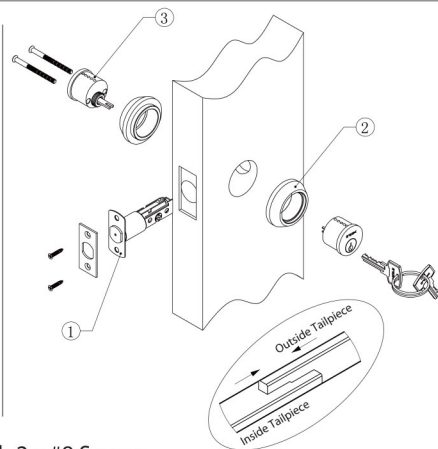
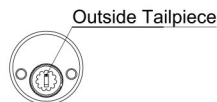
- |  |  |
|--|--|
| 1. Keys  | 8. Screws for Striking Plate (2 EA x #8 Screws)  |
| 2. Outside Rim Cylinder w/ Tailpiece           | 9. Deadbolt Striking Plate                       |
| 3. Outside Cylinder Escutcheon (See Section A) | 10. Deadbolt Dust Box                            |
| 4. Inside Cylinder Escutcheon (See Section A)  | 11. Reinforcement Screws (2 EA x M5x75mm Screws) |
| 5. Inside Rim Cylinder w/ Fork tailpiece       | 12. Deadbolt Reinforcement Plate                 |
| 6. 2 EA x M5x70mm Thru-bolts                   | 13. Faceplate for Deadbolt                       |
| 7. Screws for Face plate (2 EA x #8 Screws)    | 14. Deadbolt                                     |

### Installation Steps

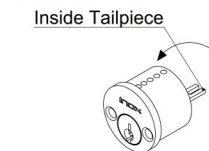
#### Section A-A



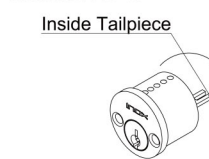
#### Section B-B



#### Section C-C

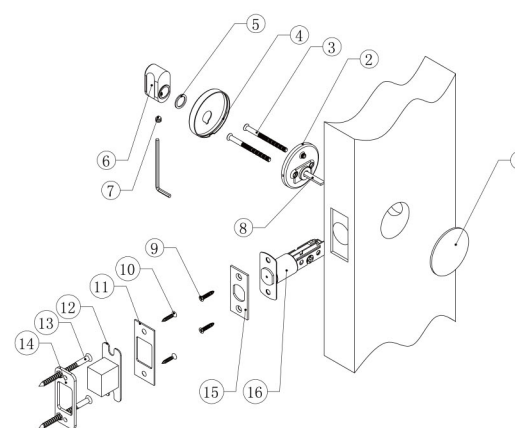


#### Section D-D

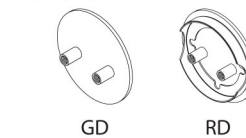


- Install deadbolt with 2 x #8 Screws.
  - ⚠ Please ensure the deadbolt bolt is retracted inside latch casing.
- Install the outside cylinder and outside escutcheon.
  - ⚠ Key slot on cylinder should be on lower off-center position. See Section A-A
  - ⚠ Set the outside tailpiece to Vertical position WITHOUT keys. See Section B-B
- Mount the inside cylinder and inside escutcheon with thru-bolts.
  - ⚠ For Right Hand (RH) door, turn the inside tailpiece to the LEFT and keep it at HORIZONTAL position without keys. See Section C-C
  - ⚠ For Left Hand (LH) door, turn the inside tailpiece to the RIGHT and keep it at HORIZONTAL position without keys. See Section D-D
  - ⚠ Use keys to test cylinder and make sure cylinder cam operates deadbolt smoothly.

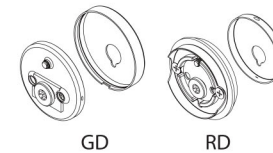
## RD / SD / LD / CD Communicating Deadbolt



### Section B



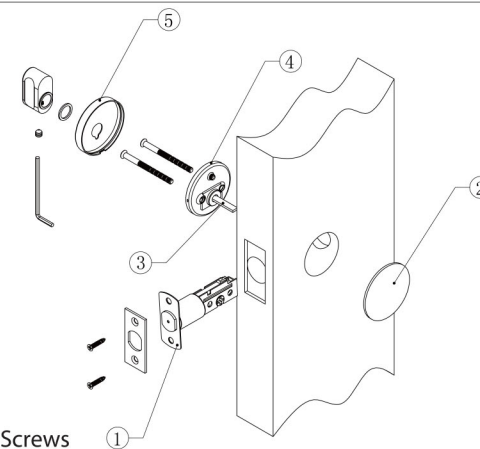
### Section C



### Parts List

- |                                       |  |
|---------------------------------------|--|
| 1. Outside Blind Rose (See Section B) | 9. Screws for Face plate (2 EA x #8 Screws)      |
| 2. Inside Escutcheon (See Section C)  | 10. Screws for Striking Plate (2 EA x #8 Screws) |
| 3. 2 EA x M5x40mm Thru-bolts          | 11. Deadbolt Striking Plate                      |
| 4. Inside Cover Plate (See Section C) | 12. Deadbolt Dust Box                            |
| 5. Thumb-turn Washer                  | 13. Reinforcement Screws (2 EA x M5x75mm Screws) |
| 6. Thumb-turn                         | 14. Deadbolt Reinforcement Plate                 |
| 7. Set Screw for Thumb-turn           | 15. Faceplate for Deadbolt                       |
| 8. Inside tailpiece                   | 16. Deadbolt                                     |

### Installation Steps



- Install deadbolt with 2 x #8 Screws
  - ⚠ Please ensure the deadbolt bolt is retracted inside latch casing.
- Mount the outside blind rose.
- Insert tailpiece through the cam slot of the deadbolt and the thumb-turn shaft on the inside escutcheon.
- Mount the inside escutcheon with thru-bolts.
- Mount the inside cover plate and clear washer before mounting thumb-turn piece. Tighten the set screw inside thumb-turn piece using allen key.