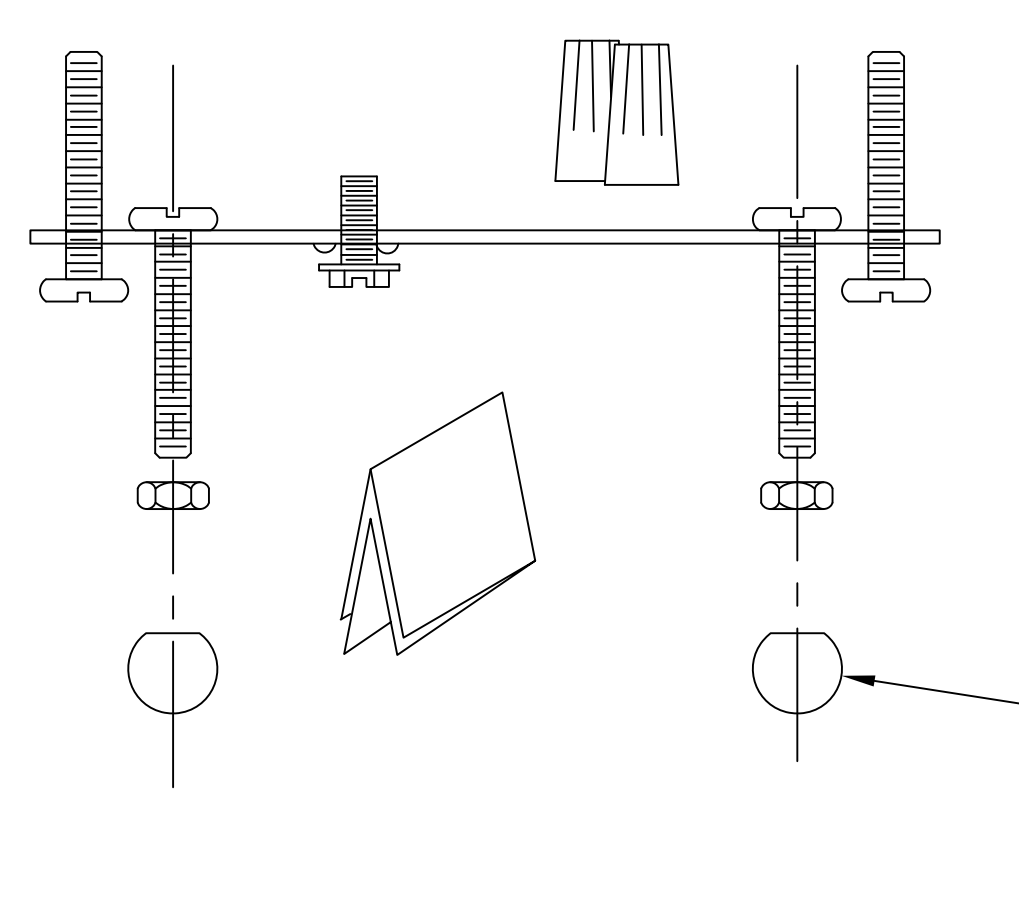
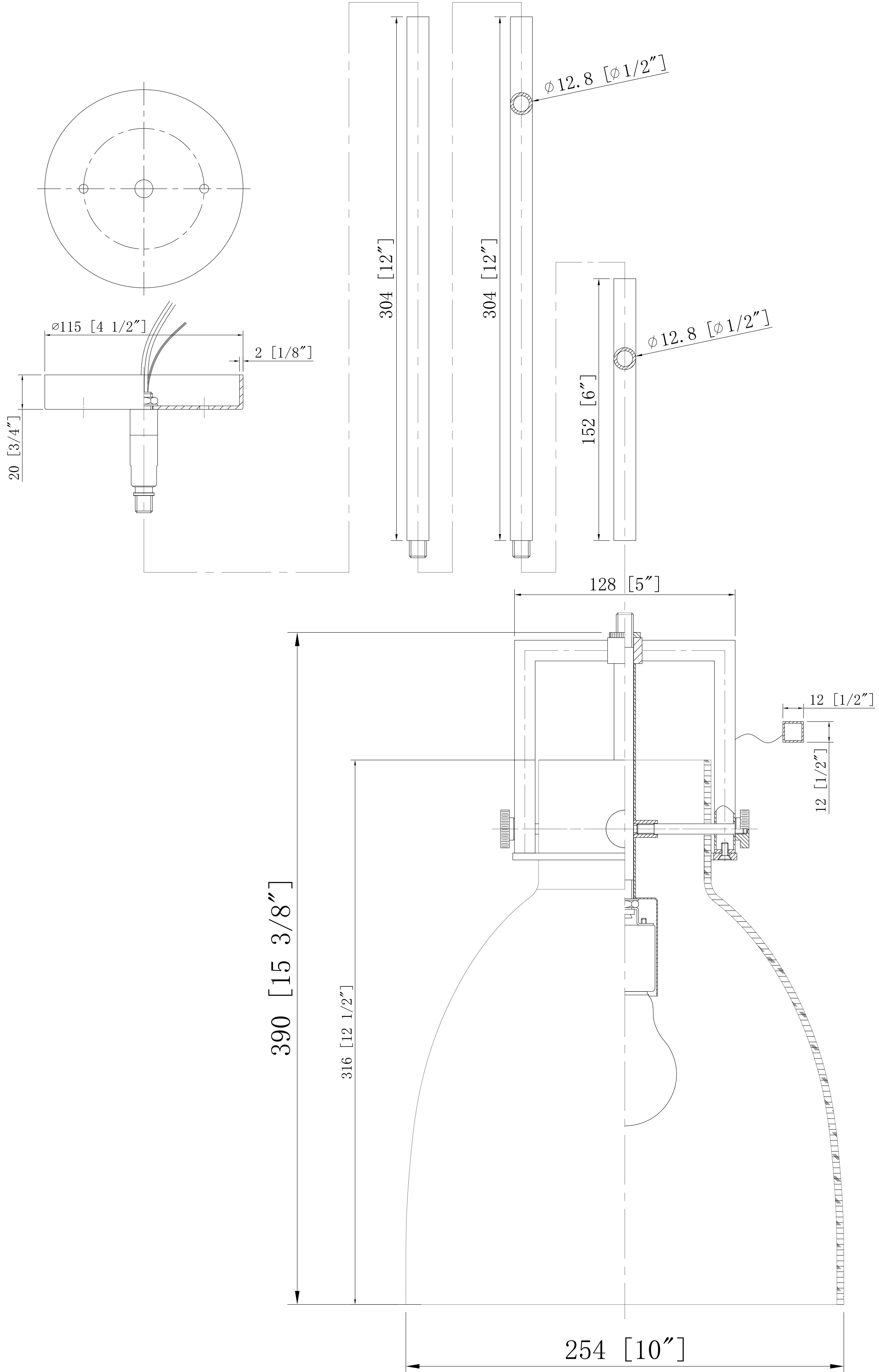


DESIGN COPYRIGHT - 12/27/2023

ALL RIGHTS RESERVED AND MAY NOT BE DUPLICATED WITHOUT OUR WRITTEN PERMISSION



$\phi 10$  [ $\phi 3/8$ "]



ITEM: 411-1SM-BB-G412-10CL