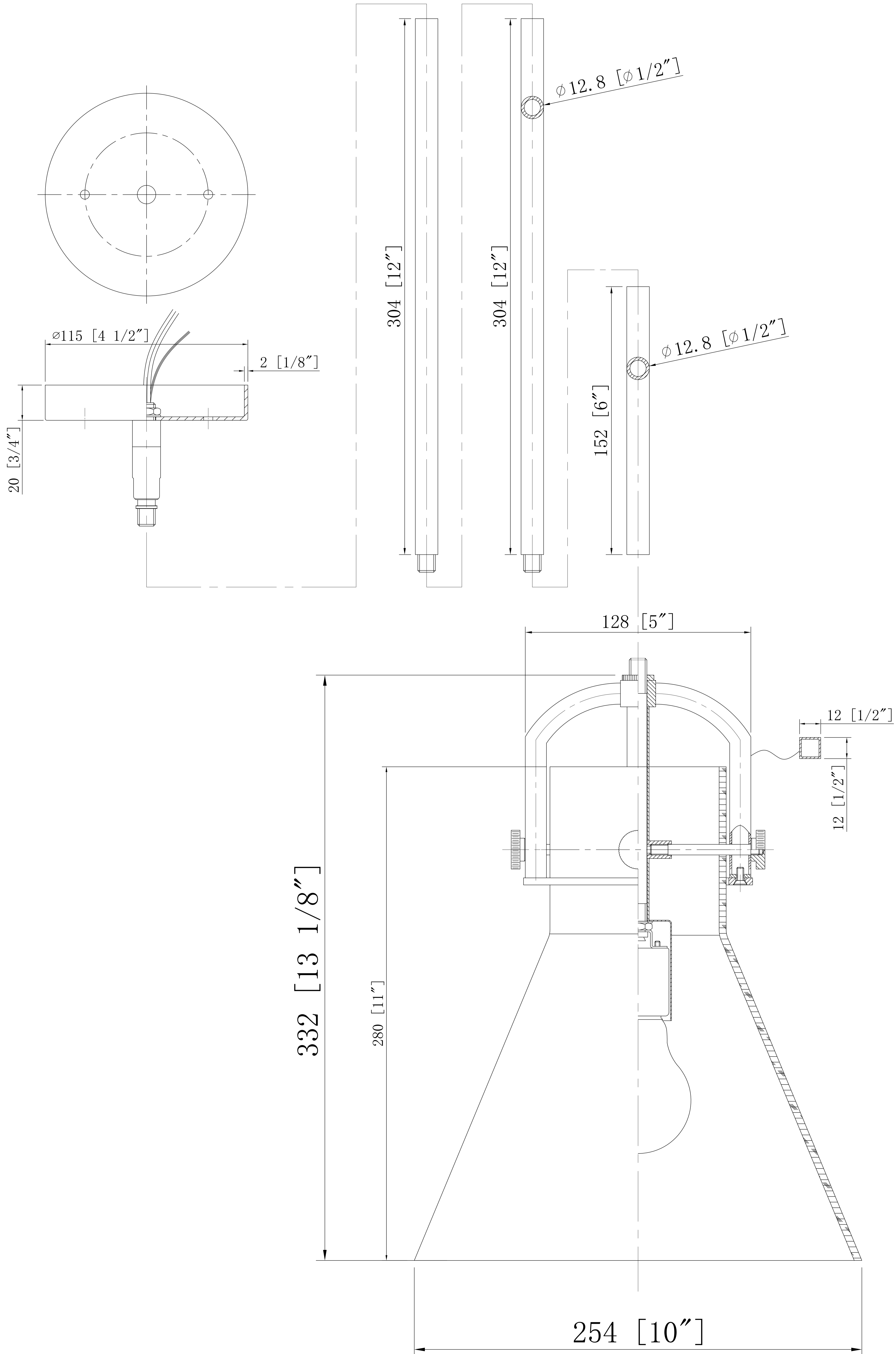
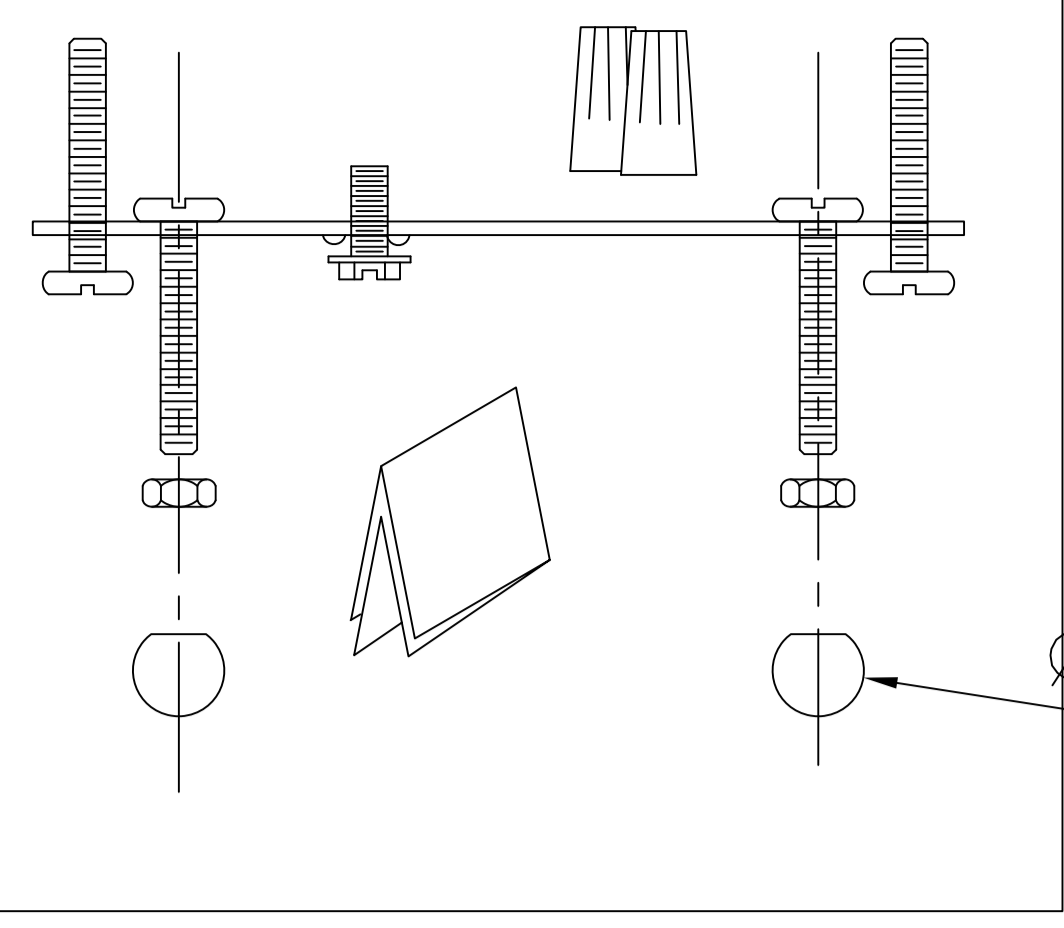


DESIGN COPYRIGHT - 04/10/2024

ALL RIGHTS RESERVED AND MAY
NOT BE DUPLICATED WITHOUT OUR
WRITTEN PERMISSION



ITEM: 410-1SM-BK-G411-10CL