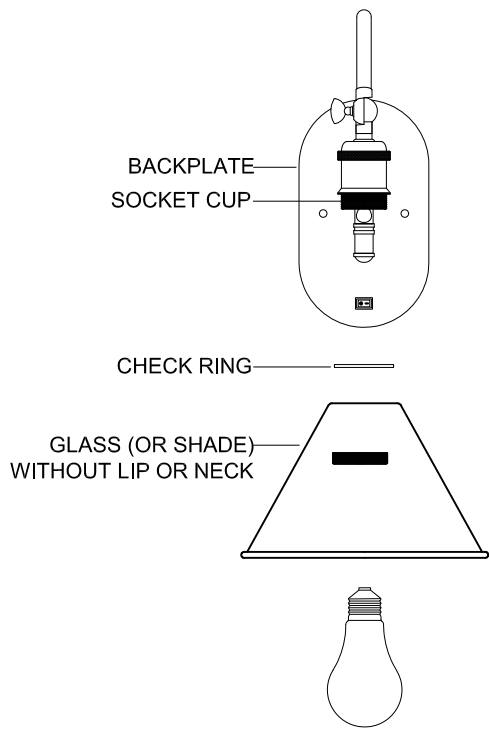


# ITEM: 518-1W



CREATIVITY MEETS EVOLUTIONARY DESIGN<sup>®</sup>  
 DESIGN COPYRIGHT - 10/20/2021  
 ALL RIGHTS RESERVED AND MAY  
 NOT BE DUPLICATED WITHOUT OUR  
 WRITTEN PERMISSION



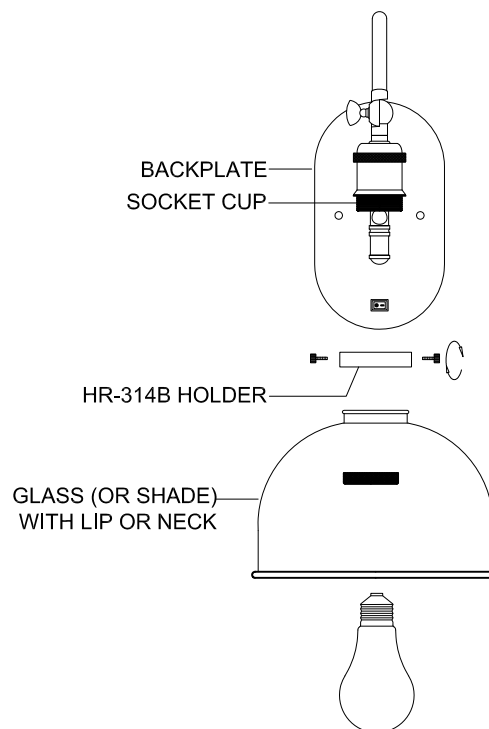
**BALLSTON ASSEMBLY**  
 SLIDE DECORATIVE CHECK RING  
 AND SHADE ONTO THREADED  
 SOCKET CUP AND SECURE USING  
 THREADED SOCKET RING.  
 DO NOT OVER TIGHTEN  
 THREADED SOCKET RING TO  
 AVOID BREAKING THE GLASS

SHADE STYLE & BULB OPTIONAL  
 IF THE GLASS YOU SELECTED DOES  
 NOT HAVE A LIP OR  
 NECK THE HR-314B HOLDER IS NOT NEEDED  
 TO ATTACH THE GLASS -PLEASE DISCARD IT

# ITEM: 918-1W

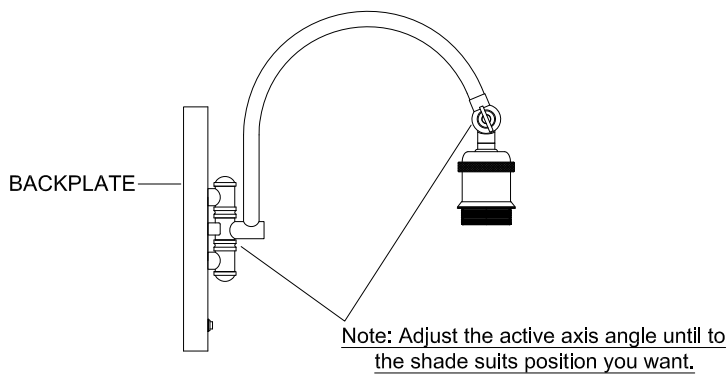


CREATIVITY MEETS EVOLUTIONARY DESIGN<sup>®</sup>  
 DESIGN COPYRIGHT - 10/20/2021  
 ALL RIGHTS RESERVED AND MAY  
 NOT BE DUPLICATED WITHOUT OUR  
 WRITTEN PERMISSION

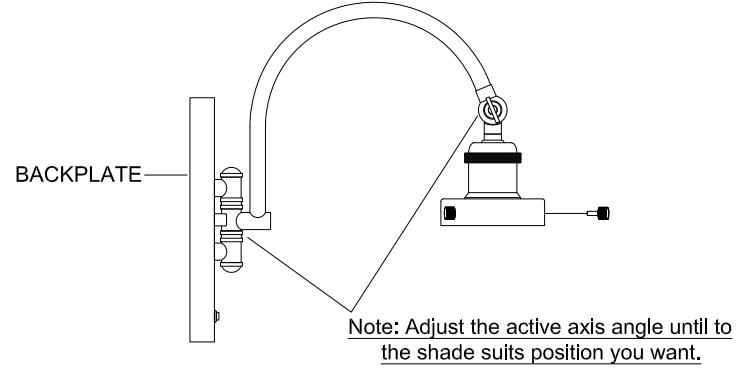


**BALLSTON URBAN ASSEMBLY**  
 ATTACH THE HR-314B HOLDER TO  
 THREADED SOCKET CUP USING  
 THREADED SOCKET RING  
 SLIDE SHADE INTO THE HR-314B  
 HOLDER, TIGHTEN THE (3)  
 THUMB SCREWS EVENLY TO  
 HOLD GLASS IN PLACE  
 DO NOT OVER TIGHTEN THUMB  
 SCREWS TO AVOID BREAKING  
 THE GLASS

SHADE STYLE & BULB OPTIONAL  
 IF THE GLASS YOU SELECTED HAS A LIP OR  
 NECK THE HR-314B HOLDER IS NEEDED TO  
 ATTACH THE GLASS



Note: Adjust the active axis angle until to the shade suits position you want.



Note: Adjust the active axis angle until to the shade suits position you want.

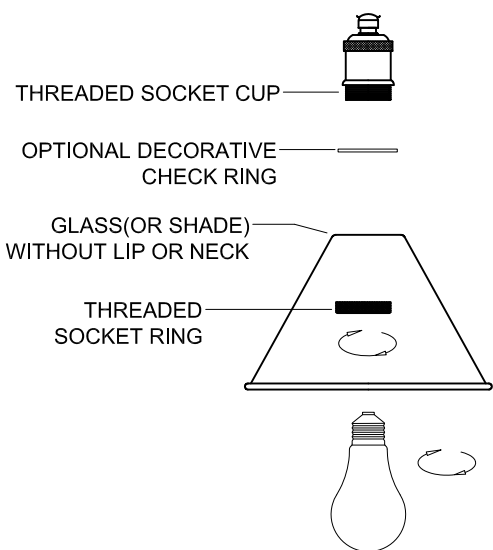
## THANK YOU FOR PURCHASING A FIXTURE FROM OUR BALLSTON COLLECTION

Please FIRST take a look at your glass/metal shade to see if it looks like A (no neck) or B (with a neck)  
 YOU WILL FIND BOTH THE CHECK RING (for A - which might not be needed depending on the thickness of the glass)  
 AND the HOLDER with screw (FOR B)

Please continue to follow the below graphic illustration as shown

WE ENCOURAGE YOU TO SAVE THE EXTRA PART. You might decide to change your glass and will need it in the future  
 (instead of replacing the entire fixture for a new look)

### A no neck



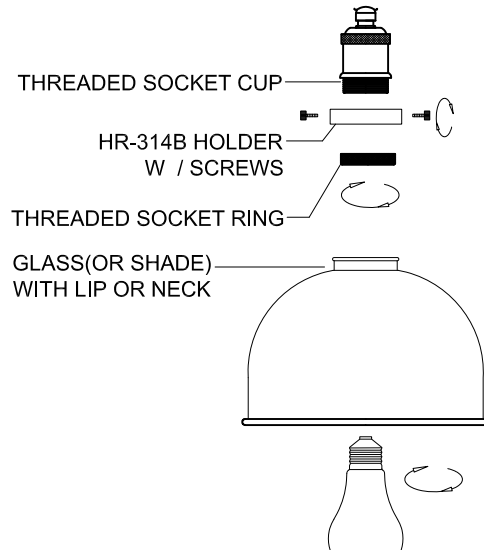
#### Glass Assembly (glass without lip or neck)

SLIDE OPTIONAL DECORATIVE  
 CHECK RING AND SHADE ONTO  
 THREADED SOCKET CUP AND  
 SECURE USING THREADED  
 SOCKET RING

DO NOT OVER TIGHTEN  
 THREADED SOCKET RING TO  
 AVOID BREAKING THE GLASS OR  
 METAL SHADE

THIS ASSEMBLY DOES NOT USE  
 HR-314B HOLDER.

### B neck



#### Glass Assembly (glass with lip or neck)

ATTACH THE HR-314B HOLDER TO  
 THREADED SOCKET CUP USING  
 THREADED SOCKET RING.

SLIDE SHADE INTO THE HR-314B  
 HOLDER, TIGHTEN THE (3) THUMB  
 SCREWS EVENLY TO HOLD SHADE  
 IN PLACE

DO NOT OVER TIGHTEN THUMB  
 SCREWS TO AVOID BREAKING  
 THE GLASS OR METAL SHADE

THIS ASSEMBLY DOES NOT  
 USE DECORATIVE CHECK RING  
 (might not be needed if glass is thick)

ITEM: 518-1W / 918-1W

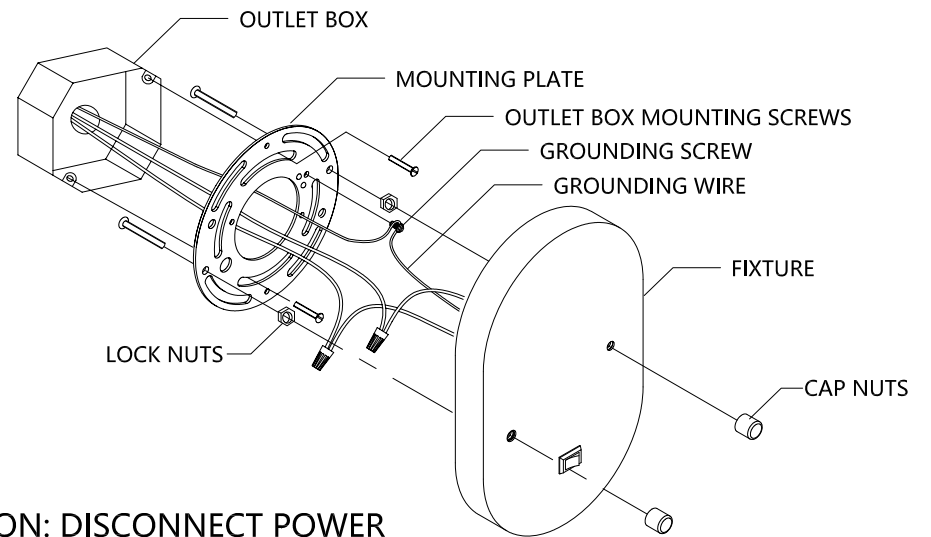
GLASS OR METAL SHADE AND  
 BULB STYLE OPTIONAL



CREATIVITY MEETS EVOLUTIONARY DESIGN<sup>®</sup>  
 DESIGN COPYRIGHT - 10/20/2021  
 ALL RIGHTS RESERVED AND MAY  
 NOT BE DUPLICATED WITHOUT OUR  
 WRITTEN PERMISSION



## STANDARD MOUNTING PLATE INSTALLATION INSTRUCTIONS



### CAUTION: DISCONNECT POWER DURING INSTALLATION

1. If you are replacing an existing fixture, disconnect and remove the old fixture. Expose the supply wiring from the outlet box.
2. Thread the machine screws into the opposite side of the mounting plate from the green ground screw, lock the machine screws into place with lock nuts.
3. Fasten the mounting plate to the outlet box using the two screws supplied with the outlet box.
4. Spread the electrical wires so that the black wires are on one side of the outlet box and the white wires are on the other side.
5. Grounding instructions:
  - A.) On fixtures where mounting plate is provided with a green ground screw and two raised dimples, Wrap ground wire from outlet box around green ground screw and tighten.

- B.) On fixtures where mounting plate is provided with a green ground wire attached. Connect mounting plate ground wire to ground wire from outlet box with wire connector (not provided). If fixture is provided with ground wire. Connect fixture ground wire to ground wire from outlet box with wire connector (not provided). After following the above steps. Never connect ground wire to black or white power supply wires.
6. To make electrical connections: Connect the white wire(s) from the fixture to the white wire of this outlet box. Connect the black wire (s) from the fixture to the black wire of the outlet box. NOTE: Black outlet box wire may be red, round & smooth and/or have copper conductor. White outlet box wire may be square & ridged and/or have a silver conductor.
7. Place fixture against mounting surface allowing the machine screws to pass through the fixture backplate. Secure the cap nuts.