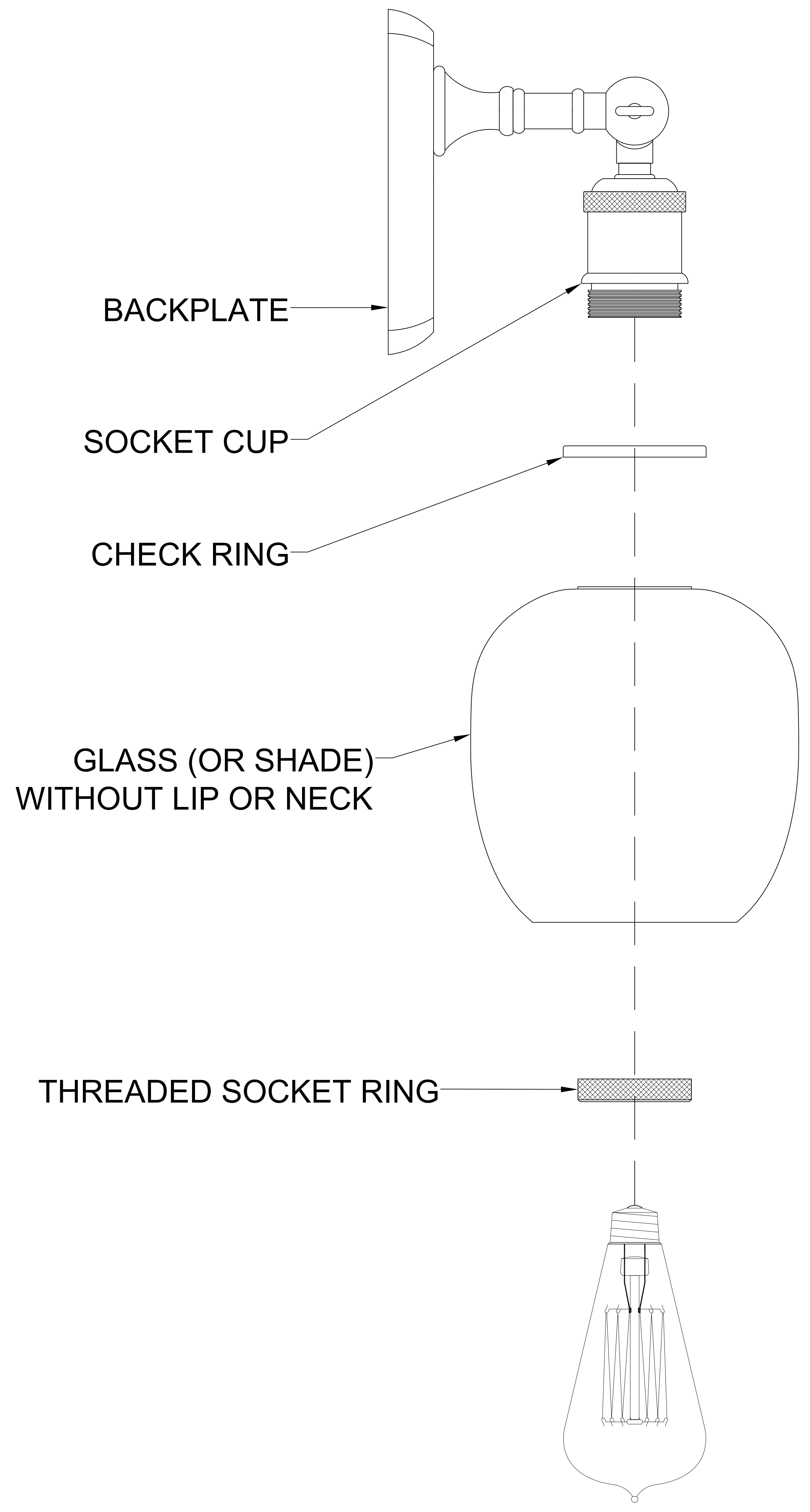


ITEM: 516-1W

INNOVATIONS LIGHTING
 CREATIVITY MEETS EVOLUTIONARY DESIGN
 DESIGN COPYRIGHT - 05/24/2023
 ALL RIGHTS RESERVED AND MAY
 NOT BE DUPLICATED WITHOUT OUR
 WRITTEN PERMISSION

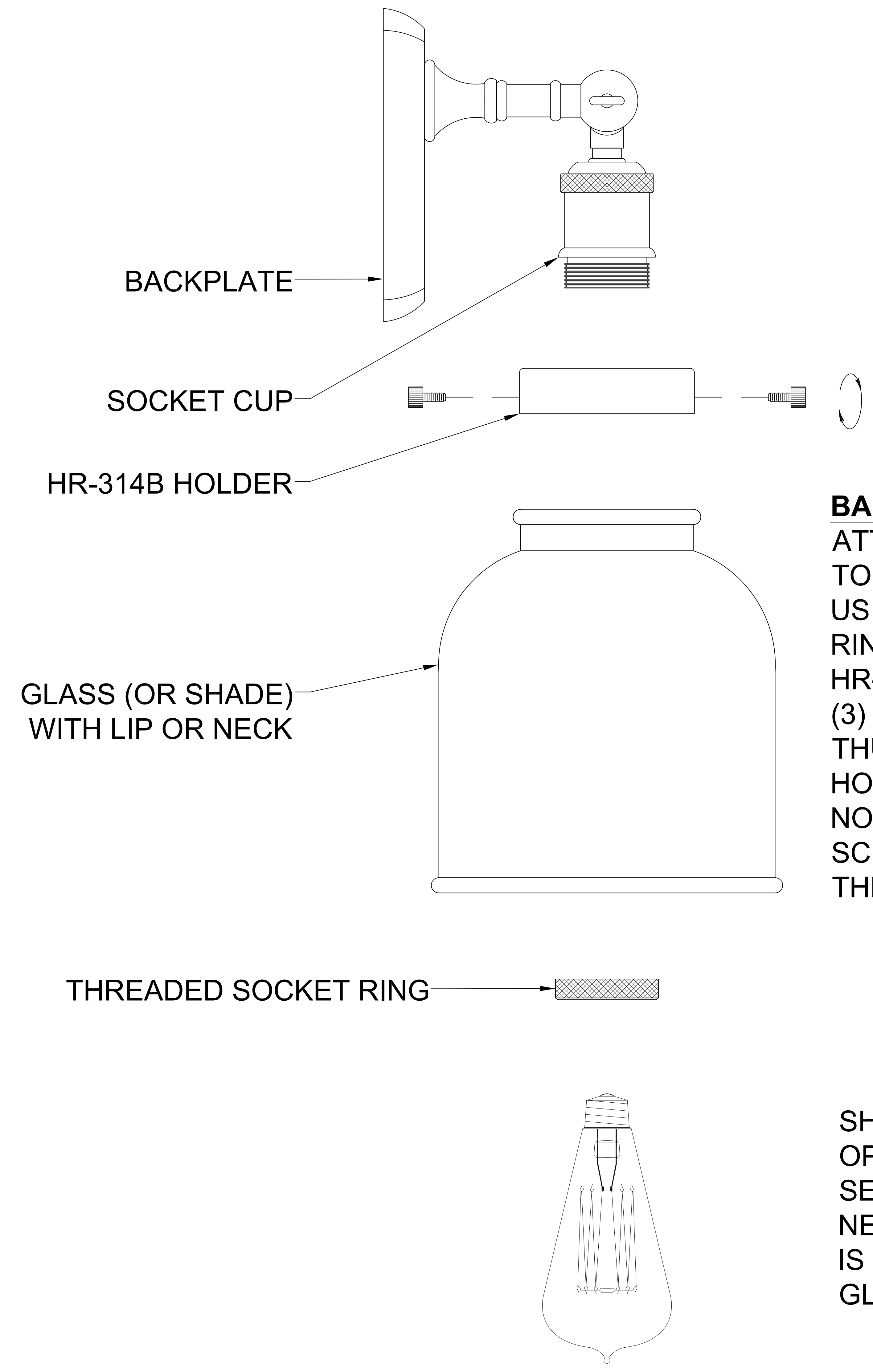


BALLSTON ASSEMBLY
 SLIDE DECORATIVE CHECK RING AND SHADE ONTO THREADED SOCKET CUP AND SECURE USING THREADED SOCKET RING. DO NOT OVER TIGHTEN THREADED SOCKET RING TO AVOID BREAKING THE GLASS

SHADE STYLE & BULB
 OPTIONAL IF THE GLASS YOU
 SELECTED DOES NOT HAVE A
 LIP OR NECK THE HR-314B
 HOLDER IS NOT NEEDED TO
 ATTACH THE GLASS --- PLEASE
 DISCARD IT

ITEM: 916-1W

INNOVATIONS LIGHTING
 CREATIVITY MEETS EVOLUTIONARY DESIGN
 DESIGN COPYRIGHT - 05/24/2023
 ALL RIGHTS RESERVED AND MAY
 NOT BE DUPLICATED WITHOUT OUR
 WRITTEN PERMISSION



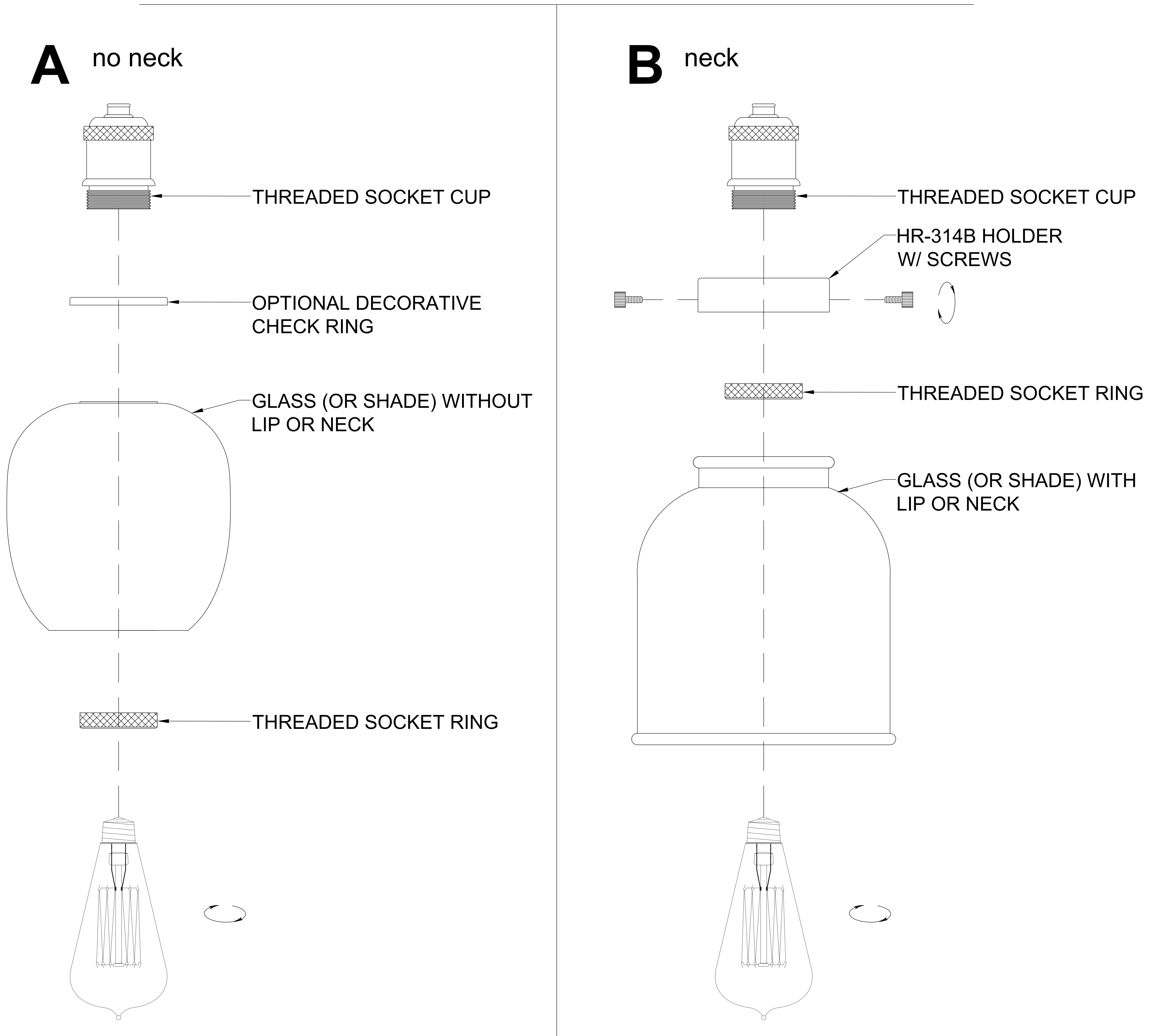
BALLSTON URBAN ASSEMBLY
 ATTACH THE HR-314B HOLDER TO THREADED SOCKET CUP USING THREADED SOCKET RING SLIDE SHADE INTO THE HR-314B HOLDER TIGHTEN THE (3) THUMB, TIGHTEN THE (3) THUMB SCREWS EVENLY TO HOLD GLASS IN PLACE DO NOT OVER TIGHTEN THUMB SCREWS TO AVOID BREAKING THE GLASS

SHADE STYLE & BULB
 OPTIONAL IF THE GLASS YOU
 SELECTED HAS A LIP OR
 NECK THE HR-314B HOLDER
 IS NEEDED TO ATTACH THE
 GLASS

THANK YOU FOR PURCHASING A FIXTURE FROM OUR BALLSTON COLLECTION

Please FIRST take a look at your glass/metal shade to see if it looks like A (no neck) or B (with a neck)
 YOU WILL FIND BOTH THE CHECK RING (for A - which might not be needed depending on the thickness of the glass)
 AND the HOLDER with screw (FOR B)

Please continue to follow the below graphic illustration as shown.
 WE ENCOURAGE YOU TO SAVE THE EXTRA PART. You might decide to change your glass and will need it in the future
 (instead of replacing the entire fixture for a new look)



Ballston Collection

Glass Assembly (glass without lip or neck)

SLIDE OPTIONAL DECORATIVE CHECK RING AND SHADE ONTO THREADED SOCKET CUP AND SECURE USING THREADED SOCKET RING

DO NOT OVER TIGHTEN THREADED SOCKET RING TO AVOID BREAKING THE GLASS OR METAL SHADE

THIS ASSEMBLY DOES NOT USE HR-314B HOLDER.

- ITEM: 516-1W/916-1W 516-1C/916-1C
 516-2W/916-2W 516-1P/916-1P
 516-3W/916-3W 516-1S/916-1S
 516-4W/916-4W 516-3I/916-3I
 516-4I/916-4I

GLASS OR METAL SHADE AND BULB STYLE OPTIONAL.



DESIGN COPYRIGHT - 05/24/2023
 ALL RIGHTS RESERVED AND MAY NOT BE DUPLICATED WITHOUT OUR WRITTEN PERMISSION

Glass Assembly (glass with lip or neck)

ATTACH THE HR-314B HOLDER TO THREADED SOCKET CUP USING THREADED SOCKET RING,

SLIDE SHADE INTO THE HR-314B HOLDER, TIGHTEN THE (3) THUMB SCREWS EVENLY TO HOLD SHADE IN PLACE

DO NOT OVER TIGHTEN THUMB SCREWS TO AVOID BREAKING THIS GLASS OR METAL SHADE

THIS ASSEMBLY DOES NOT USE DECORATIVE CHECK RING. (might not be needed if glass is thick)

STANDARD MOUNTING PLATE INSTALLATION INSTRUCTIONS

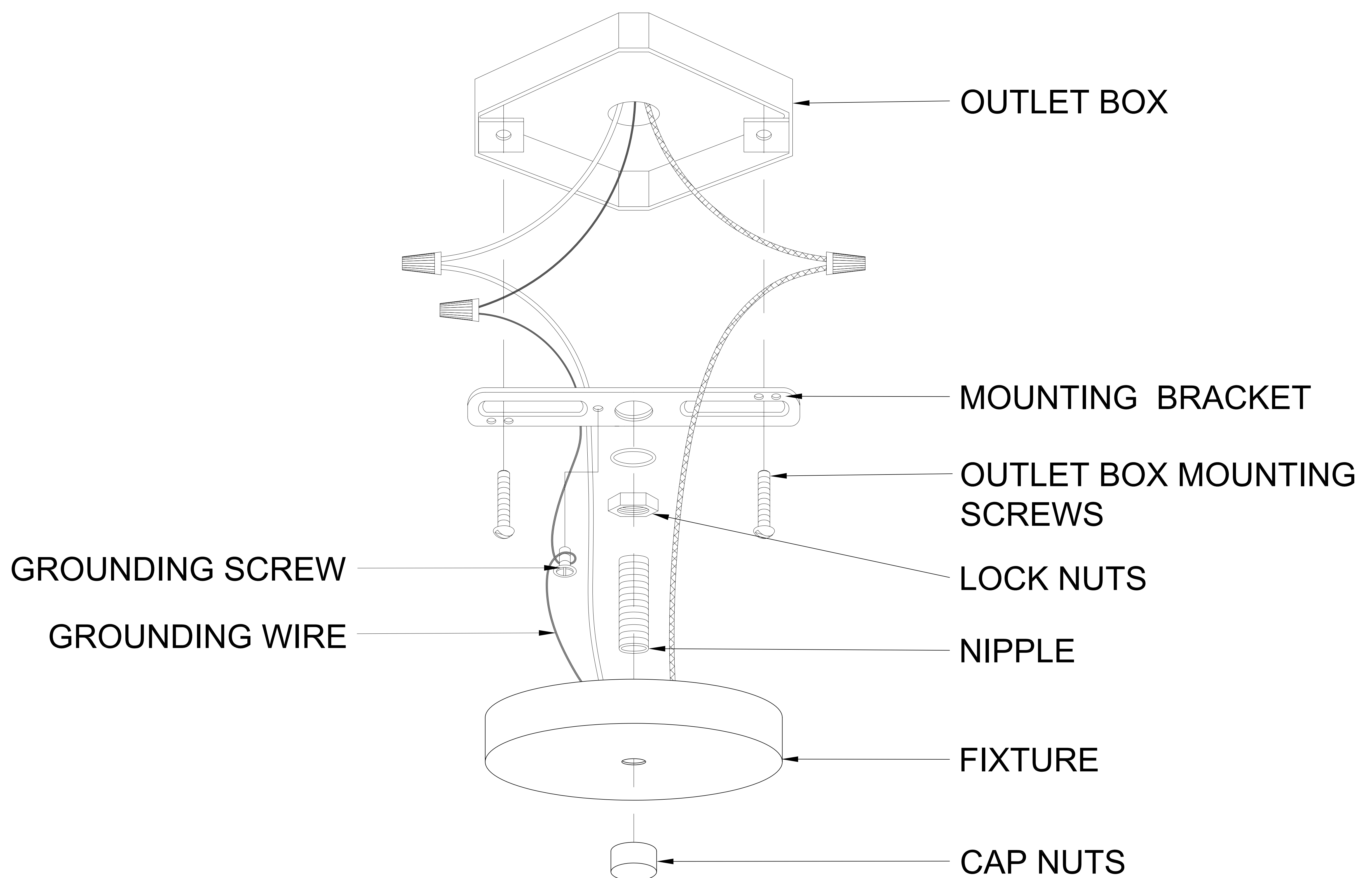
FOR YOUR SAFETY WARNING

Risk of Fire, Consult a qualified electrician to ensure correct branch circuit conductor.

Turn off the main power at the circuit breaker before installing the fixture in order to prevent possible shock.

General

All electrical connections must be in accordance with local and National Electrical Code (N.E.C.) standards. If you are unfamiliar with proper electrical wiring connections obtain the services of a qualified electrician. Remove the fixture and the mounting package from the box and make sure that no parts are missing by referencing the illustration.



CAUTION: DISCONNECT POWER DURING INSTALLATION

- 1.) If you are replacing an existing fixture, disconnect and remove the old fixture. Expose the supply wiring from the outlet box.
- 2.) Thread the nipple into the opposite side of the mounting bracket from the green ground screw, lock the machine screws into place with lock nuts.
- 3.) Fasten the mounting bracket to the outlet box using the two box screws supplied with the outlet box.
- 4.) Spread the electrical wires so that the black wires are on one side of the outlet box and the white wires are on the other side.
- 5.) Grounding instructions:
 - A.) On fixtures where mounting bracket is provided with a green ground screw and two raised dimples, Wrap ground wire from outlet box around green ground screw and tighten.
 - B.) On fixtures where mounting bracket is provided with a green ground wire attached. Connect mounting bracket ground wire to ground wire from outlet box with wire connector(not provided).
- 6.) To make electrical connections: Connect the white wire(s) from the fixture to the white wire of this outlet box. Connect the black wire(s) from the fixture to the black wire of the outlet box. NOTE: Black wire from outlet box may be red, round & smooth and/or have copper conductor. White wire from outlet box may be square & ridged and/or have a silver conductor. After wires are connected, tuck them carefully inside outlet box.
- 7.) Place fixture against mounting bracket allowing the machine nipple to pass through the fixture backplate. Secure with cap nuts.