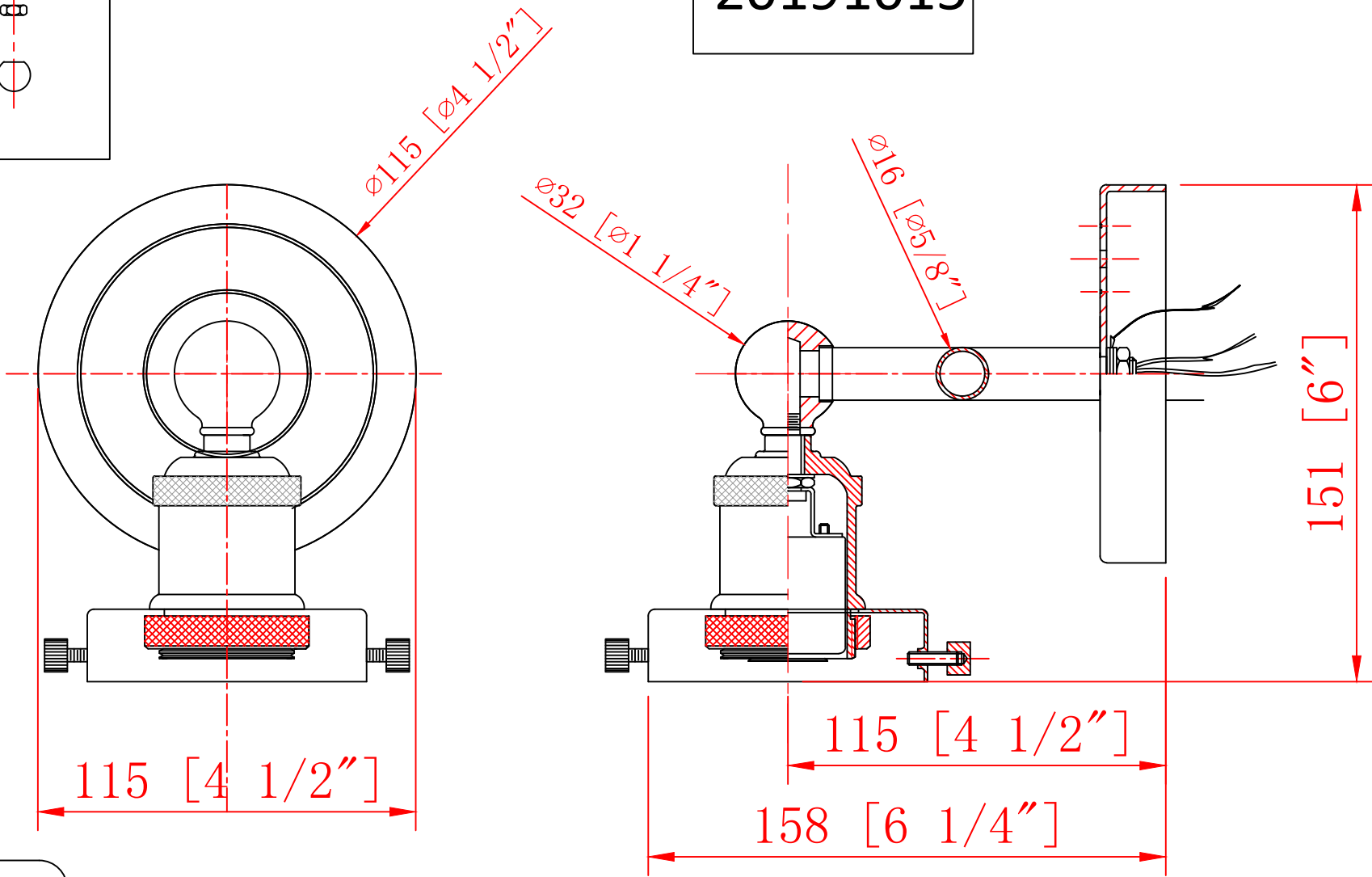


REV 1
20191015



INNOVATIONS LIGHTING
DESIGN COPYRIGHT - 09/27/2019
ALL RIGHTS RESERVED AND MAY
NOT BE DUPLICATED WITHOUT OUR
WRITTEN PERMISSION

REV

ITEM: 616-1W