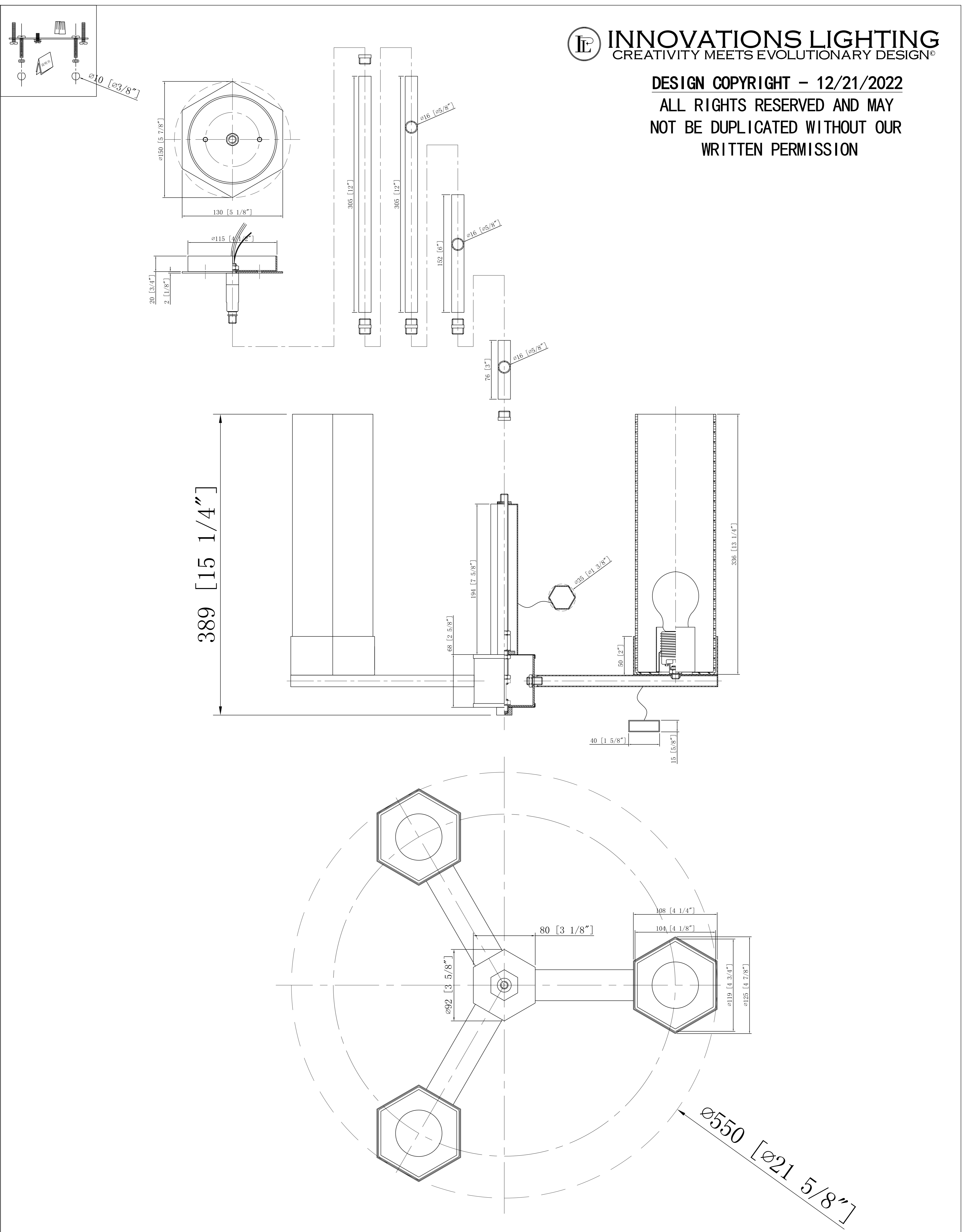


DESIGN COPYRIGHT – 12/21/2022  
 ALL RIGHTS RESERVED AND MAY  
 NOT BE DUPLICATED WITHOUT OUR  
 WRITTEN PERMISSION



**ITEM: 427-3CR-14**