



ASSEMBLY & INSTALLATION
INSTRUCTION FOR #221-1F

Please read carefully and save these instructions, as you may need them at a later date.

CAUTION

Turn off the main power at the circuit breaker before installing the fixture, in order to prevent possible shock.

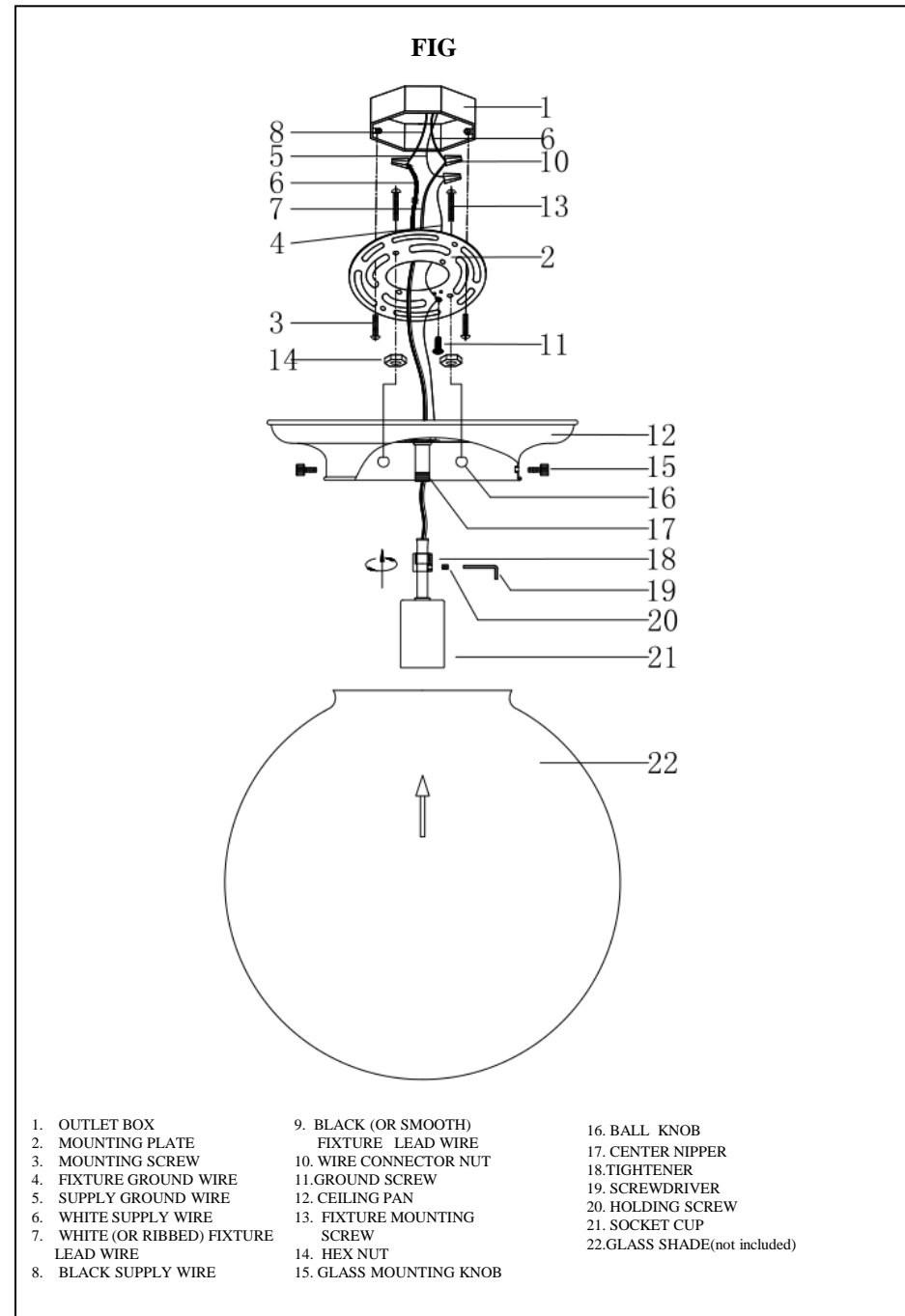
GENERAL

All electrical connections must be in accordance with local and National Electrical Code (N.E.C.) standards. If you are unfamiliar with proper electrical wiring connections obtain the services of a qualified electrician.

Remove the fixture and the mounting package from the box and make sure that no parts are missing by referencing the illustrations on the installation instructions.

ASSEMBLY AND INSTALLATION

1. At the center of the MOUNTING PLATE(2) there are eight perforated slots. Knock out the set matches your OUTLET BOX (1).
2. Screw the FIXTURE MOUNTING SCREWS (13) into the MOUNTING PLATE (2) and thread the HEX NUTS (14) onto the FIXTURE MOUNTING SCREWS (13), as shown. Secure the position of the FIXTURE MOUNTING SCREWS (13) by tightening the HEX NUTS (14) against the MOUNTING PLATE (2).
3. Carefully pass the power supply (6&8) wires and the SUPPLY GROUND WIRE (5) through the center hole of the MOUNTING PLATE (2). Secure the MOUNTING PLATE (2) to the OUTLET BOX (1) with MOUNTING SCREWS (3). Pull the ARMS so they are evenly spaced.
4. Pass the FIXTURE LEAD WIRE (7) &(9) through the central NIPPER(17), screw the TIGHTENER on the central NIPPER(17) till tight, Adjust the position of the SOCKET CUP(21) according to the size of the GLASS SHADE(22)and secure it with the HOLDING SCREW(20) by SCREWDRIVER(19).
5. Attach the BLACK SUPPLY WIRE (8) to the BLACK (or SMOOTH) FIXTURE LEAD WIRE (9) by using the WIRE CONNECTOR NUT (10). At the same manner, attach the WHITE SUPPLY WIRE (6) to the WHITE (or RIBBED) FIXTURE LEAD WIRE (7). Loop the FIXTURE GROUND WIRE (4) around the GROUND SCREW (11) of the MOUNTING PLATE (2). (Note: Be sure to provide an extra 3" length of the FIXTURE GROUND WIRE (4) for connection to the SUPPLY GROUND WIRE (5).) Tighten the GROUND SCREW (11). Connect the remaining FIXTURE GROUND WIRE (4) to the SUPPLY GROUND WIRE (5) using a WIRE CONNECTOR NUT(10). Place wiring and connections inside the OUTLET BOX (1).
6. Place the CEILING PAN (12) onto the FIXTURE MOUNTING SCREW (13), and secure it into place using the BALL KNOB(16) provided.
7. Screw light bulbs (bulbs not included) into the sockets and make sure they do not exceed the maximum wattage specified on the fixture's wattage rating label.
8. Slide the GLASS SHADE(22) into the CEILING PAN (12),secure the GLASS MOUNTING KNOB(15) till GLASS SHADE(22) tightening.



INSTALLATION IS NOW COMPLETED