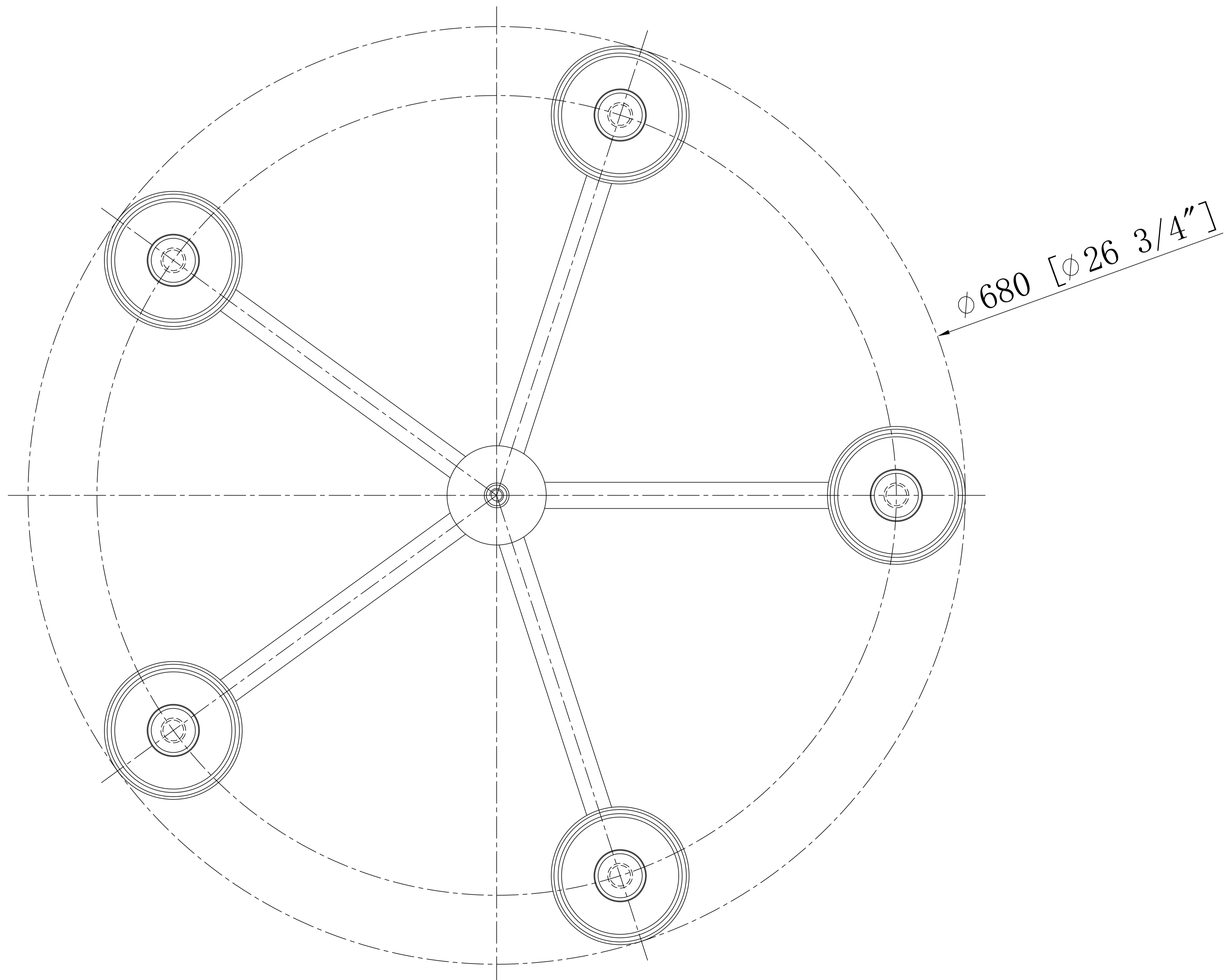
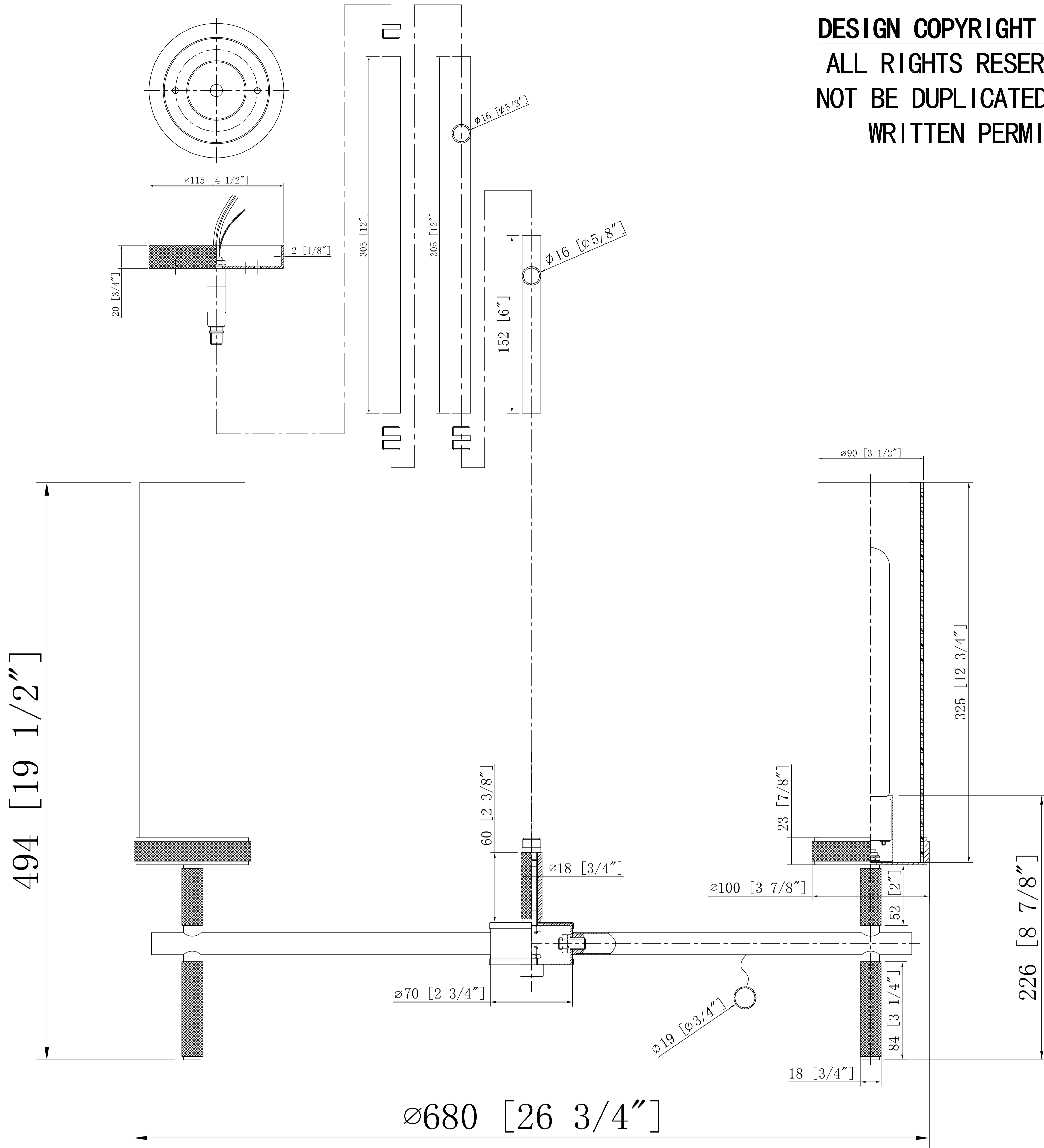


DESIGN COPYRIGHT - 12/01/2022

ALL RIGHTS RESERVED AND MAY
NOT BE DUPLICATED WITHOUT OUR
WRITTEN PERMISSION



ITEM: 471-5CR-12