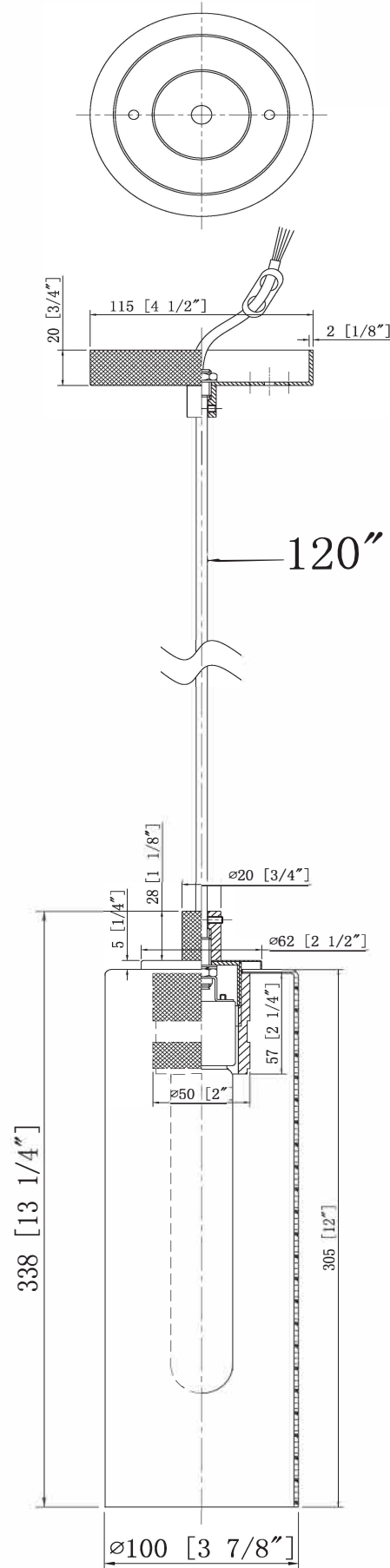
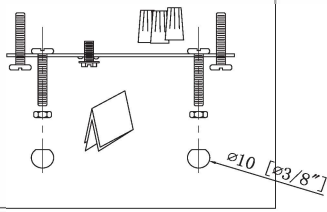


**DESIGN COPYRIGHT - 12/21/2022**  
**ALL RIGHTS RESERVED AND MAY**  
**NOT BE DUPLICATED WITHOUT OUR**  
**WRITTEN PERMISSION**



**ITEM: 434-1P-12**