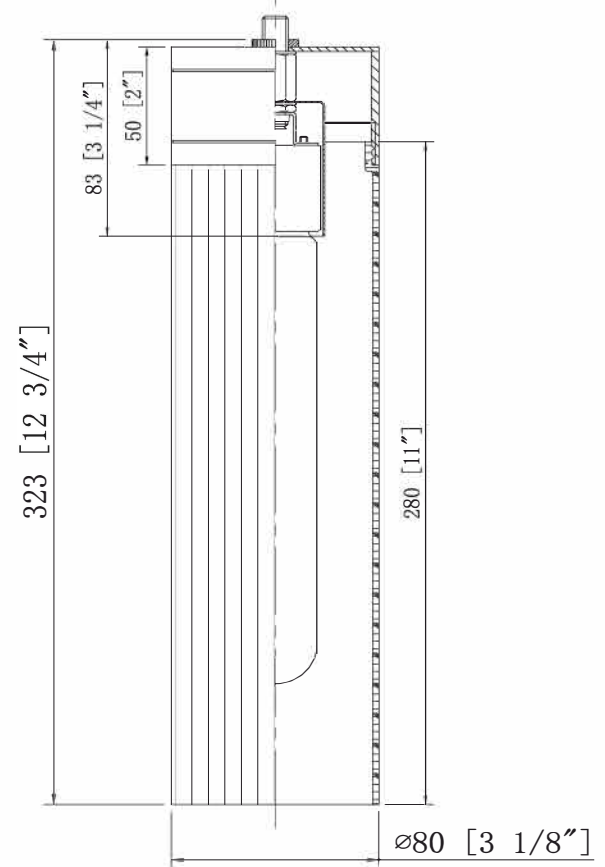
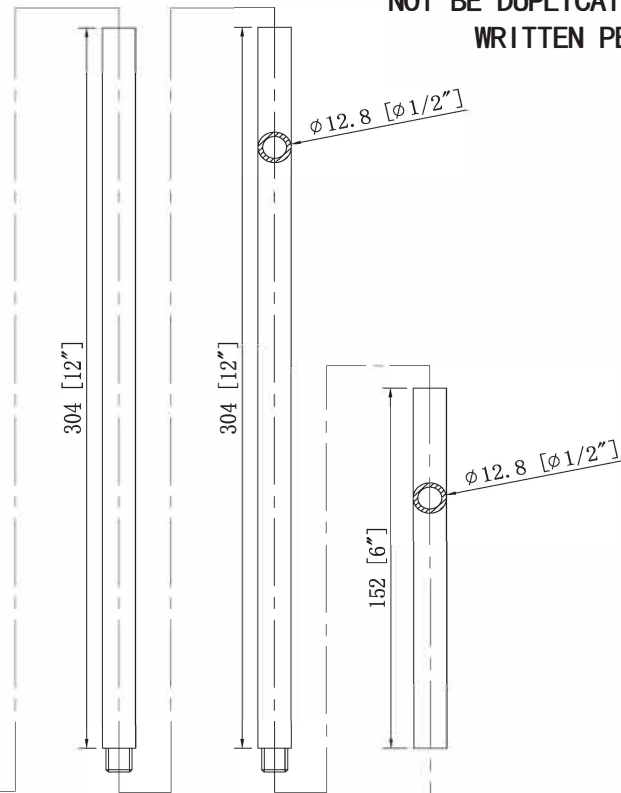
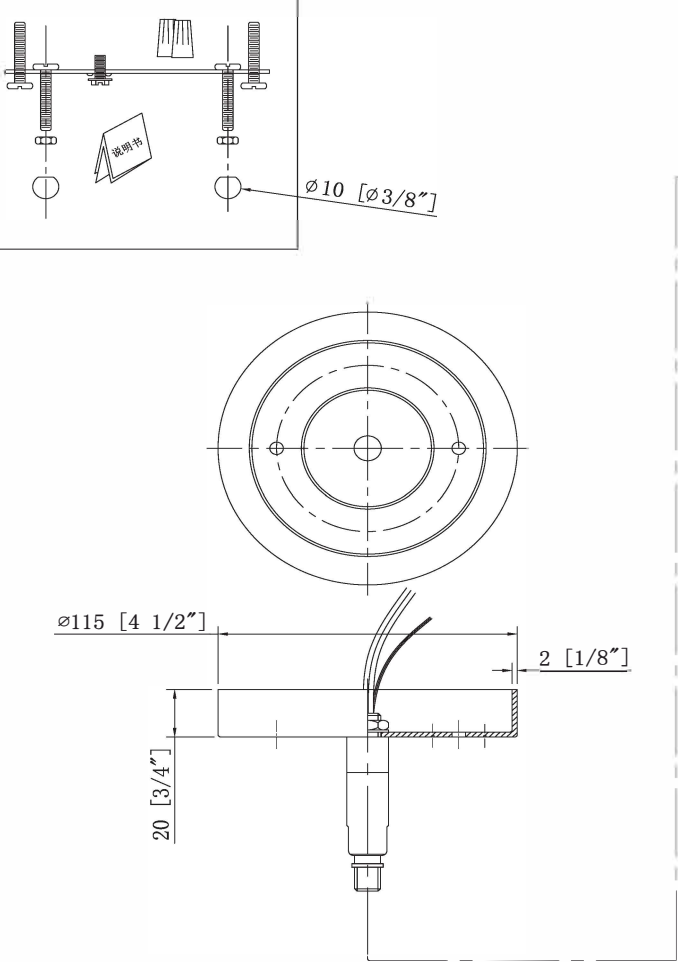


**DESIGN COPYRIGHT – 11/03/2022**  
**ALL RIGHTS RESERVED AND MAY**  
**NOT BE DUPLICATED WITHOUT OUR**  
**WRITTEN PERMISSION**



**ITEM: 429-1S-11**