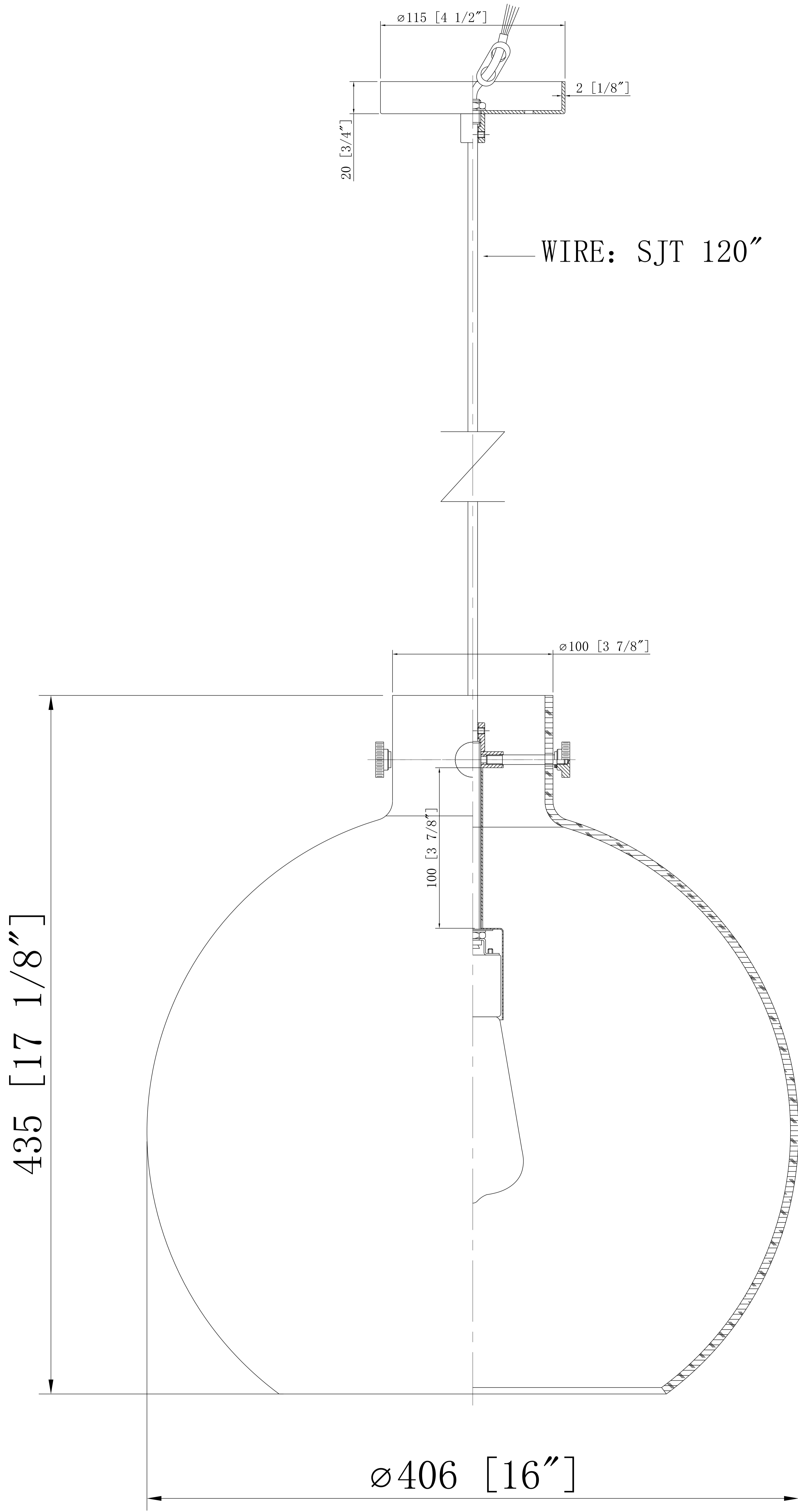
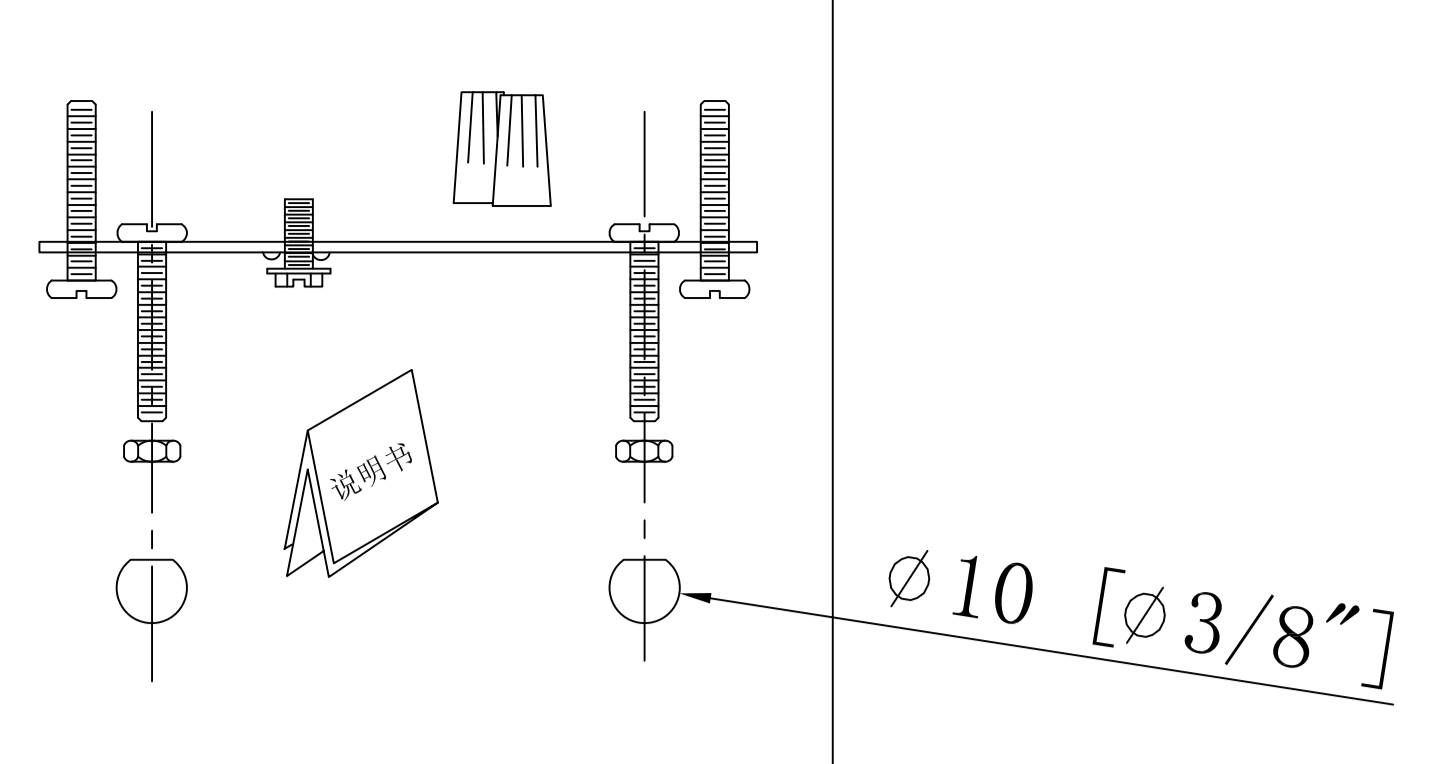


DESIGN COPYRIGHT - 07/11/2022

ALL RIGHTS RESERVED AND MAY
NOT BE DUPLICATED WITHOUT OUR
WRITTEN PERMISSION



ITEM: 410-1P-16CR/18CR