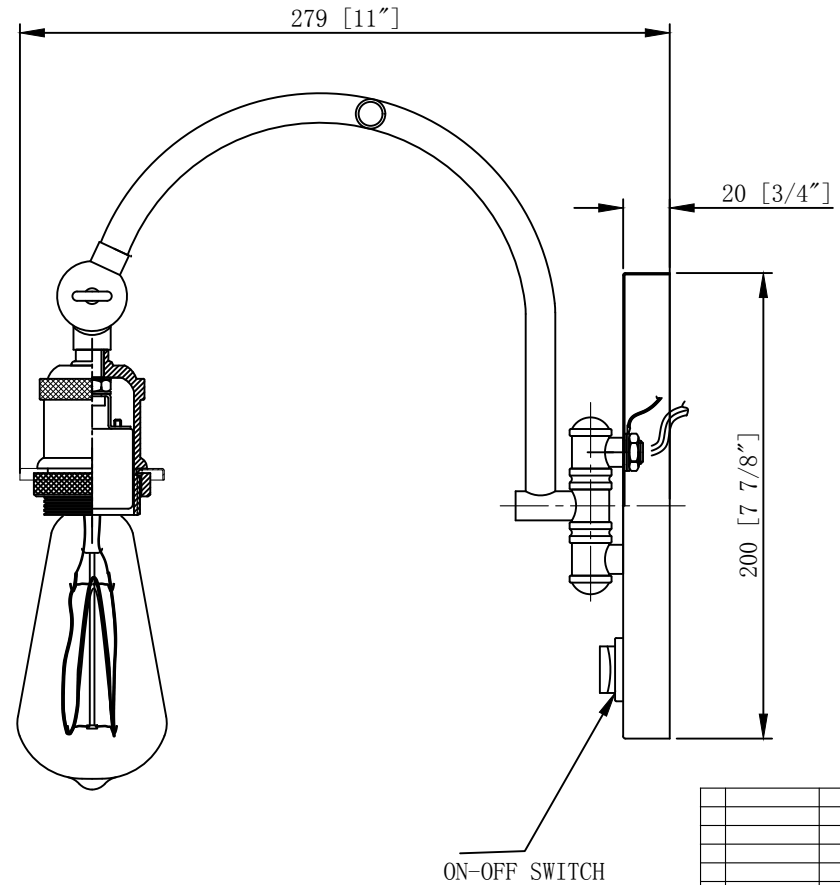
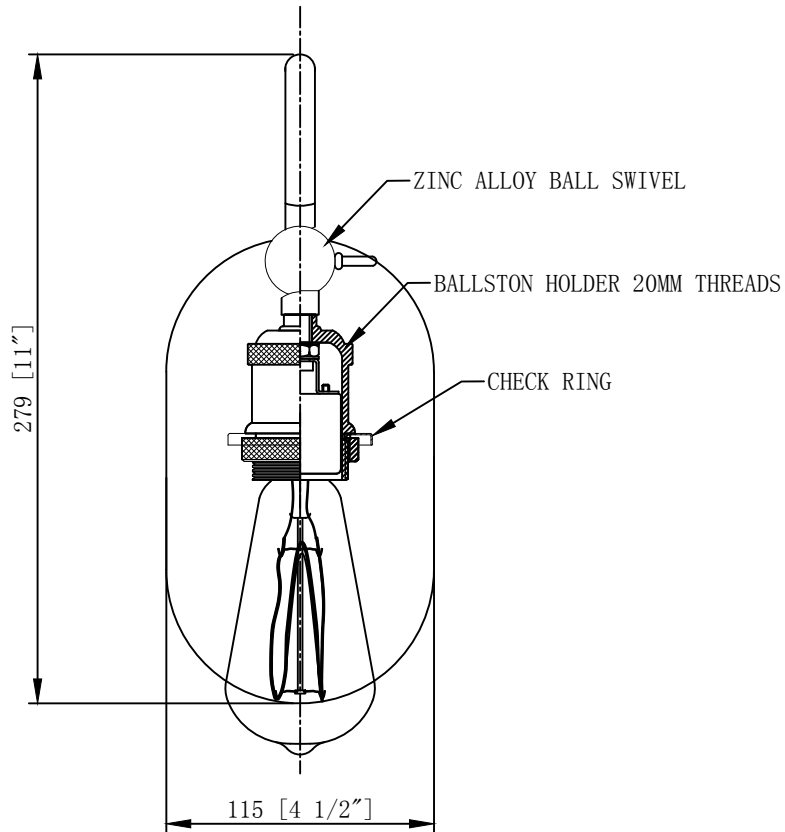


DESIGN COPYRIGHT – 11/2/2021
ALL RIGHTS RESERVED AND MAY
NOT BE DUPLICATED WITHOUT OUR
WRITTEN PERMISSION



NO.	PART NO.	DESCRIPTION	REQ.

NOTICE: ANY DESIGN OR OTHER INFORMATION HEREON DEVELOPED BY THIS COMPANY IS CONFIDENTIAL, ORIGINAL AND EXCLUSIVE PROPERTY OF THE L.D. ALPHA CO. DISCLOSURE OR REPRODUCTION REQUIRES THE WRITTEN CONSENT OF THE L.D. ALPHA CO.

INNOVATIONS CREATIVITY MEETS EVOLUTIONARY DESIGN®			
TITLE 518-1W			
PART NO. WALL		REV.	
ITEM NO.			REV. A

DRAWN IN THIRD ANGLE PROJECTION	*mm* DIMENSION INDICATED IN [] DIMENSION IN () IS FOR REF. ONLY			
	TOLERANCES (EXCEPT AS NOTED)			
	DECIMAL NONE ±.031 X ±.015 XX ±.010 XXX ±.005	ANGULAR ± 1/2°	FRACTIONAL ± 1/32	SCALE 1:3
	DATE 03/10/2021	DRAWN BY	CHECKED BY X	APPROVED BY X