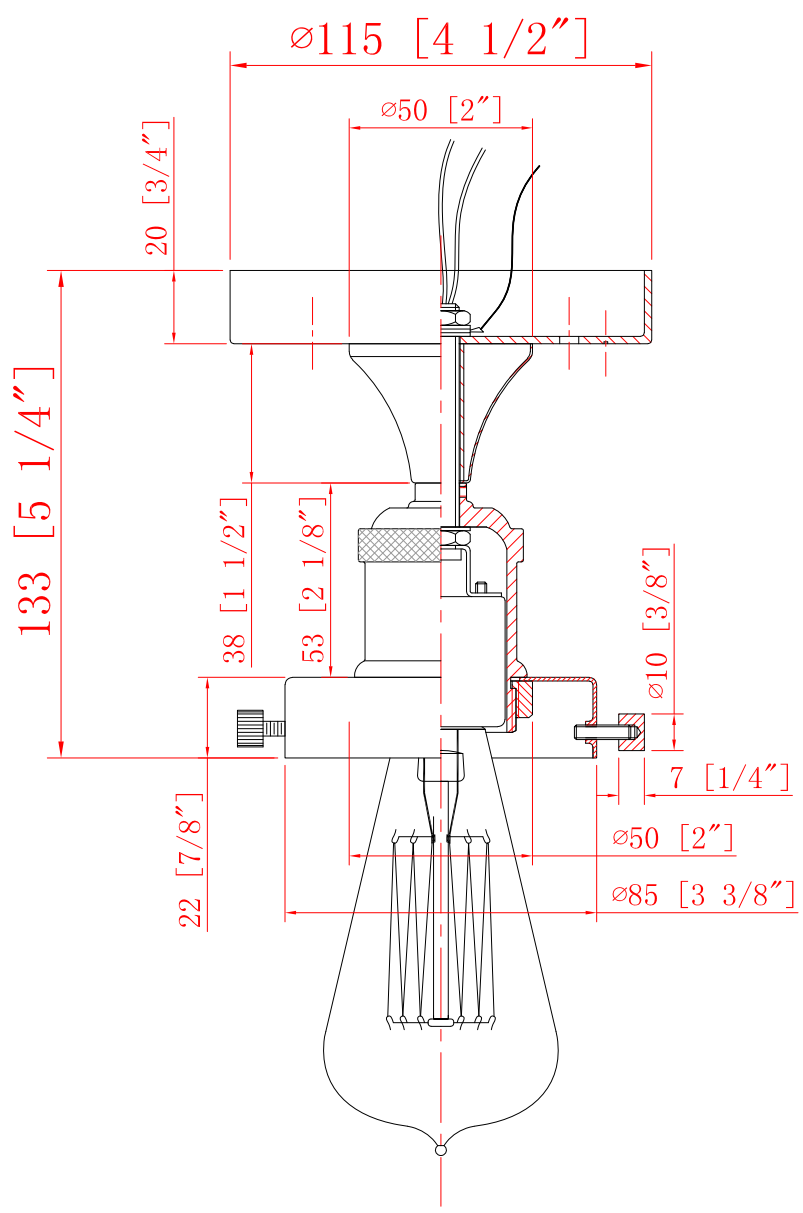


$\phi 10$ [$\phi 3/8$ "]
 9 [$3/8$ "]



INNOVATIONS LIGHTING
 DESIGN COPYRIGHT - 08/30/2021
 ALL RIGHTS RESERVED AND MAY
 NOT BE DUPLICATED WITHOUT OUR
 WRITTEN PERMISSION

ITEM: 916-1C