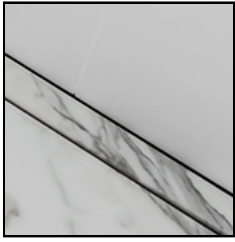


ID Infinity Drain



UTIF Series Universal Infinity Drain™

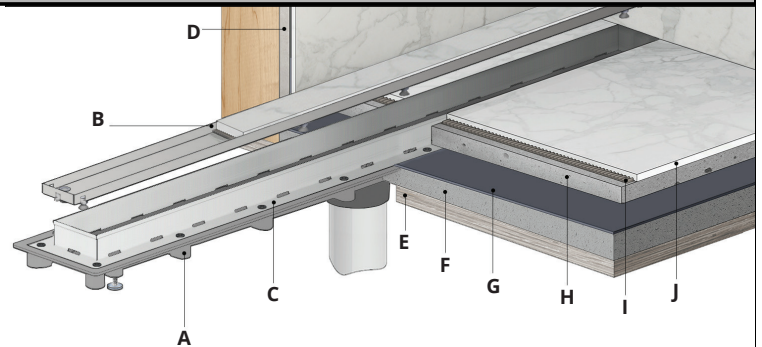
- UTIF 24 - 24" Complete Kit
- UTIF 30 - 30" Complete Kit
- UTIF 32 - 32" Complete Kit
- UTIF 36 - 36" Complete Kit
- UTIF 42 - 42" Complete Kit
- UTIF 48 - 48" Complete Kit
- UTIF 54 - 54" Complete Kit
- UTIF 60 - 60" Complete Kit

Features

- Pre-pitched channel available in ABS or PVC
- 18 Gauge 304L clamping collar and removable Stainless Steel Tile insert frame
- NOT Site Sizable™
- Two clamping collar heights available (1/2" or 1")
- Clamping collar can be used facing up or down
- Compatible with Traditional OR Contemporary Waterproofing
 - Traditional Waterproofing: PVC Liner, Rubber Liner, or Fiberglass
 - Contemporary Waterproofing: liquid applied or fabric membrane
- Flow rate - 9 gpm per outlet
 - Flow rate measured at outlet only. Measurement does not account for water in channel or sheeting on shower floor.
 - Additional outlets can be added and combined into a larger waste

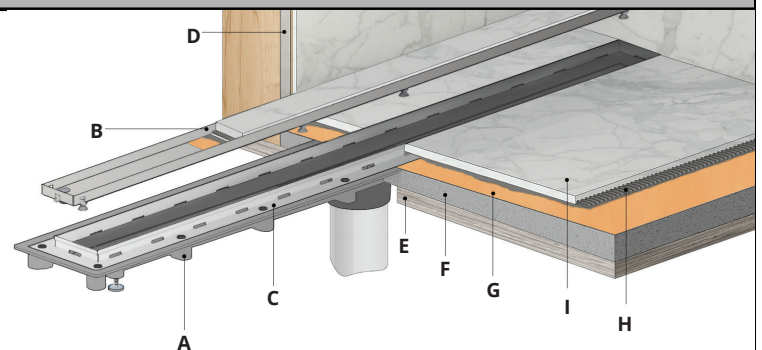
Installation with Traditional Waterproofing

- A- UC 65 Universal Channel
- B- NA 65 Stainless Steel Tile insert frame
- C - CC Clamping Collar (1/2" or 1" High)
- D - Backerboard
- E - Subfloor
- F - Primary Mortar Bed
- G - Waterproofing Membrane
- H - Secondary Mortar Bed
- I - Thinset
- J - Tile/stone



Installation with Contemporary Waterproofing

- A- UC 65 Universal Channel
- B- NA 65 Stainless Steel Tile insert frame
- C - CC Clamping Collar (1/2" or 1" High)
- D - Backerboard
- E - Subfloor
- F - Primary Mortar Bed
- G - Waterproofing Membrane
- H - Thinset
- I - Tile/stone



Care & Maintenance

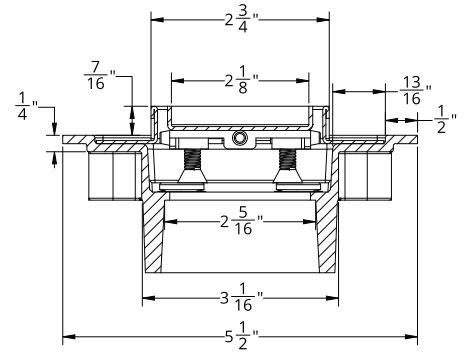
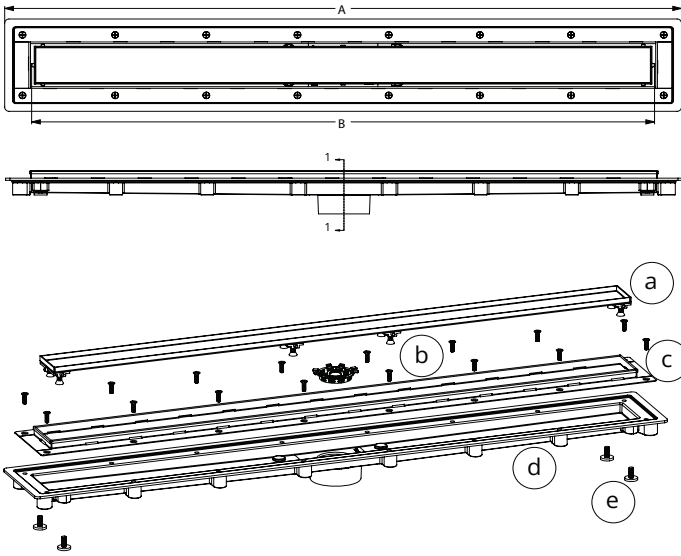
UTIF Series stainless steel linear grates are made of 304L stainless steel. This material is non-porous, hygienic, rust-free and extremely durable. Bar Keepers Friend® and Soft Scrub® are commonly available products that can be used to protect and clean your Satin Stainless drain cover. For stains that have been left for an excessive amount of time, stronger cleaning agents such as Steel Brite® may be needed. For all finishes we recommend using mild soap and a soft cloth for cleaning. DO NOT use any abrasive cleaners, scrub pads or allow household cleaning agents, such as bleach, to sit on the drain cover for a long period of time. Stainless steel does not rust. External factors, such as contamination from other highly ferrous metals, built up road salt, sea salt, or chlorine may have caused "surface" rust which can be removed using Barkeepers Friend®, Soft Scrub®, or Steel Brite Cleaner. Always follow the directions on the bottle. Follow proper maintenance procedures to prevent excessive surface rust. In areas of frequent exposure to salt, chlorine, and other chemical compounds, maintenance of the stainless grates should be performed at least 2-3 times per year.

Infinity Drain
145 Dixon Avenue
Amityville, NY 11701
Phone: 516.767.6786
Fax: 516.740.3066
www.InfinityDrain.com



NOTE: Installer must verify all rough-in dimensions prior to installation and consult local and national codes. Conformity and compliance to local and national codes are the responsibility of the installer.

ID Infinity Drain



SECTION 1-1

- Ⓐ NA 65 - Stainless Steel Tile Insert Frame
- Ⓑ HS 2 - Hair Strainer
- Ⓒ Clamping Collar
- Ⓓ UC Channel
- Ⓔ Leveling Feet

Model Number	Complete Kit Contents	A (Maximum Overall Length)	B (Maximum Grate Length)
<input type="checkbox"/> UTIF 24-A UTIF 24-P	1 - NA 6524 Tile Insert Frame 1 - UC 24 Channel 1 - CCL - Clamping Collar (1/2") 1 - CCH - Clamping Collar (1")	27"	23 7/8"
<input type="checkbox"/> UTIF 30-A UTIF 30-P	1 - NA 6530 Tile Insert Frame 1 - UC 30 Channel 1 - CCL - Clamping Collar (1/2") 1 - CCH - Clamping Collar (1")	33"	29 7/8"
<input type="checkbox"/> UTIF 32-A UTIF 32-P	1 - NA 6532 Tile Insert Frame 1 - UC 32 Channel 1 - CCL - Clamping Collar (1/2") 1 - CCH - Clamping Collar (1")	35"	31 7/8"
<input type="checkbox"/> UTIF 36-A UTIF 36-P	1 - NA 6536 Tile Insert Frame 1 - UC 36 Channel 1 - CCL - Clamping Collar (1/2") 1 - CCH - Clamping Collar (1")	39"	35 7/8"
<input type="checkbox"/> UTIF 42-A UTIF 42-P	1 - NA 6542 Tile Insert Frame 1 - UC 42 Channel 1 - CCL - Clamping Collar (1/2") 1 - CCH - Clamping Collar (1")	45"	41 7/8"
<input type="checkbox"/> UTIF 48-A UTIF 48-P	1 - NA 6548 Tile Insert Frame 1 - UC 48 Channel 1 - CCL - Clamping Collar (1/2") 1 - CCH - Clamping Collar (1")	51"	47 7/8"
<input type="checkbox"/> UTIF 54-A UTIF 54-P	1 - NA 6554 Tile Insert Frame 1 - UC 54 Channel 1 - CCL - Clamping Collar (1/2") 1 - CCH - Clamping Collar (1")	57"	53 7/8"
<input type="checkbox"/> UTIF 60-A UTIF 60-P	1 - NA 6560 Tile Insert Frame 1 - UC 60 Channel 1 - CCL - Clamping Collar (1/2") 1 - CCH - Clamping Collar (1")	63"	59 7/8"

Finishes

Satin Stainless (SS)

Polished Stainless (PS)

Infinity Drain
145 Dixon Avenue
Amityville, NY 11701
Phone: 516.767.6786
Fax: 516.740.3066
www.InfinityDrain.com



NOTE: Installer must verify all rough-in dimensions prior to installation and consult local and national codes. Conformity and compliance to local and national codes are the responsibility of the installer.